



## UC194023 - Flat Shelf Utility Cart 5" Caster 40" x 19" - Gray



Item Number:  
**UC194023**

Case Pack:  
**1 ea**

- 40" x 19" utility cart is the perfect size for transporting large or heavy items
- Polypropylene construction for heavy loads
- Sturdy molded-in handle, parts tray, and cord wrap
- Convenient knock-down design, easy assembly
- 500 pound load capacity
- Flat shelves make a convenient work surface
- Heavy-duty 5" standard Carlisle non-marking casters, 2 rigid, 2 swivel



### Tech Specs

	US	Metric
<b>Length</b>	40.38 in	102.57 cm
<b>Width</b>	19.00 in	48.26 cm
<b>Min Temperature</b>	32.00 °F	0.00 °C
<b>Max Temperature</b>	180.00 °F	82.22 °C
<b>Inside Shelf Height</b>	21.75 in	55.24 cm
<b>Overall Height</b>	32.63 in	82.88 cm
<b>Material</b>	Polypropylene (PP)	
<b>Country of Origin</b>	China	
<b>Case GTIN</b>	077838179604	

### Tech Specs

	US	Metric
<b>Case Weight</b>	45.05 lb	20.43 kg
<b>Case Cube</b>	5.29 ft3	0.15 m3
<b>Case Length</b>	40.55 in	103.00 cm
<b>Case Width</b>	19.09 in	48.49 cm
<b>Case Height</b>	11.81 in	30.00 cm
<b>Pallet Case Qty</b>	4	
<b>Pallet Tier</b>	2	
<b>Pallet High</b>	2	
<b>Harmonized Code</b>	940370.8031	
<b>Freight Class</b>	100	

# Assembly Instructions: Service Cart

PRODUCT NUMBER: UC4018 & UC4525

## Parts List:

4 Legs, 4 Corners, 2 Shelves  
2 Fixed Casters, 2 Swivel Casters, 1 Handle  
1 Hardware Packet Containing 12 Screws, 16 Bolts,  
16 Lock Washers, 16 Nuts (15mm)

## Tools Needed:

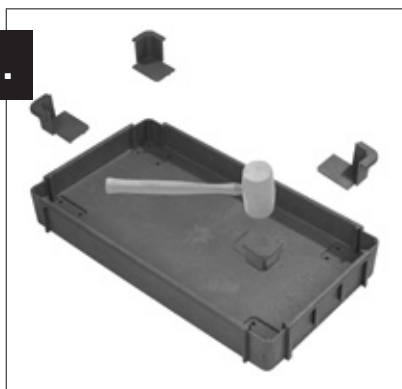
Phillips Screwdriver, Mallet, Wrench

**Assembled  
ServiceCart**



Steps:

1.



2.



3.



Use 3 screws to secure each leg to frame

4.



5.



Use 4 bolts, lock washers and nuts to secure legs and casters to frame

**Parts  
Replacement**

