

ProTeam®

Cleaning for Health® Since 1987



GAME CHANGING INNOVATION

1987	ProTeam opens office and manufacturing plant in Boise, Idaho & implements Cleaning for Health®	First lightweight backpack vacuum developed in Larry Shideler's garage out of PVC pipe.	1983
1991	ProTeam introduces Team Cleaning® seminars - an organized system to improve productivity, efficiency, quality and safety of cleaning programs	ProTeam introduces Four Level® Filtration - an improved approach to vacuum cleaner filtration	1990
2003	ProTeam introduces the first battery powered backpack to the commercial marketplace	ProTeam offers exclusive partnership with the American Lung Association	2002
2007	ProTeam celebrates 20-year anniversary	ProTeam opens first overseas office to support world-wide sales	2004
2010	ProTeam expands by introducing a new line of Wet/Dry ProGuard Vacuums	ProTeam becomes part of the globally operating Emerson Professional Tools platform	2009
2013	ProTeam launches cordless efficiency with the GoFree® Pro	ProTeam launches the next generation in cleaning comfort, the Super Coach Pro Series	2012
2016	ProTeam launches new website	ProTeam launches ProTeam University, ProGen 12/15 Units, & improves GoFree® Flex Pro battery	2014

Partners in Indoor Air Quality Education

The American Lung Association (ALA) and ProTeam are partners in a national program to educate the public about the benefits of healthy indoor air quality and ways to promote lung health.

ProTeam is collaborating with the ALA in an educational campaign designed to generate awareness and educate people about indoor air quality issues. This exclusive educational partnership recognizes the American Lung Association's mission of preventing lung disease and promoting lung health as well as ProTeam's goal of developing innovative cleaning technologies to address indoor air quality concerns.

The American Lung Association does not endorse products. For further information from the American Lung Association, call 1-800-LUNG-USA, or visit their web site at www.lung.org.



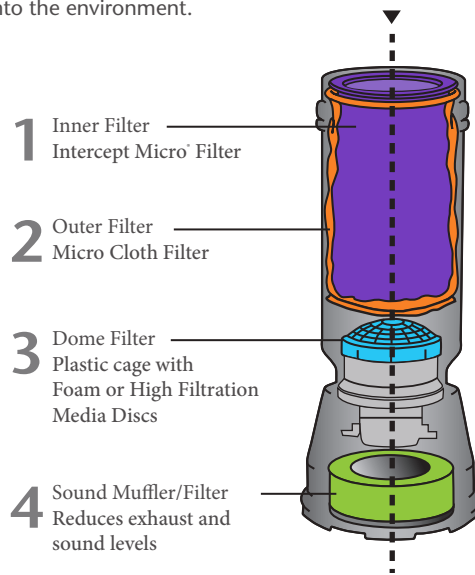
Cleaning for Health®

Improved Air Quality

ProTeam vacuums retrieve soil and safely contain harmful particles, preventing them from being reintroduced back into the environment.

Filtration

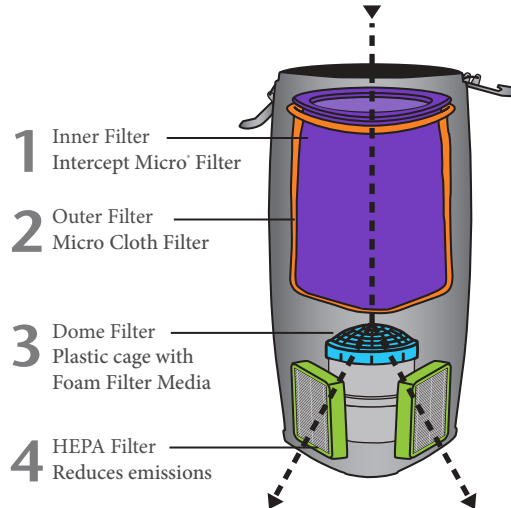
ProTeam's advanced filtration technology better captures microscopic dust that can harm health and trigger asthma or allergies. ProTeam vacuums feature Four Level Filtration, a multi-part system that starts with the Intercept Micro® Filter as the first line of defense.



Our Newest Units

The Super Coach Pro 10/6, GoFree Flex Pro and Super HalfVac Pro have a revolutionary filtration system to reduce emissions. Easy access motor HEPA Filter captures and contains microscopic particulates and carbon dust.

ProTeam's unique method of suction-vacuuming cleans carpets, hard floors, and other surfaces without stirring up dust – so the air stays cleaner, the furniture collects less dust, and operators can work without breathing unhealthy air.



-- ➔ Direction of Airflow

TABLE OF CONTENTS



Super Coach Pro® 10.....	2
Super Coach Pro 6.....	3
Super CoachVac® HEPA.....	4
Super QuarterVac® HEPA	5
MegaVac®	6
AviationVac®	7
Super HalfVac® Pro	8
RunningVac®	9
ProGen® 12/15.....	10
ProForce® 1500XP HEPA, ProForce 1200XP HEPA	11
ProVac® CN	12
ProVac FS 6	13
QuietPro® BP HEPA	14
QuietPro CN HEPA	15
GoFree® Flex Pro.....	16
GoCartVac®	17
LineVacer® HEPA/ULPA	18
ProBlitz® Airmover	19
ProGuard® LI 3 Cordless	20
ProGuard 4 Portable	21
ProGuard 10	22
ProGuard 16 MD	23
ProGuard 15	24
ProGuard 20	25
Attachment Kits.....	26-28
Individual Attachments	29-32
Filters.....	33-34
Point-of-Purchase Items	34
Accessories/Educational Materials	35
Replacement Parts.....	36
Super Coach Pro 10/Super Coach Pro 6/ProVac FS 6 Parts.....	37
Super CoachVac HEPA Parts.....	38
Super QuarterVac HEPA Parts	39
MegaVac Parts.....	40
Super HalfVac Pro Parts	41
RunningVac/ProVac CN Parts	42
AviationVac Parts	43
QuietPro CN HEPA Parts	44
QuietPro BP HEPA Parts	45
GoCartVac Parts	46
GoFree Flex Pro Parts	47
LineVacer Parts.....	48
ProBlitz Air Mover Parts.....	49
ProGen 12/15 Parts.....	50-51
ProForce 1500XP HEPA/1200XP HEPA Parts.....	52-53
ProGuard LI 3 Cordless Parts/ProGuard 4 Portable Parts.....	54
ProGuard 10 Parts	55
ProGuard 15/20 Parts.....	56
ProGuard 16 MD Parts	57
Parts Index	58-63
Sales Representatives	Inside Back Cover

Warranty Info

Most ProTeam products carry an unmatched 3 year parts, labor and motor warranty. Lifetime warranty on molded body parts for backpack and canister vacuums. Please see owner's manual for complete warranty details. Battery products and specialty wet/dry vacuums excluded, refer to individual products.

All prices, specifications and offers effective January 1, 2015 and are subject to change without notice. Performance specs are based on motor specs.

Trademarks and Patents

ProTeam, Super Coach Pro, TailVac, QuarterVac, Super CoachVac, LineVacer, ProVac, AviationVac, RunningVac, ProForce, ProGen, QuietPro, GoCartVac, GoFree, Super QuarterVac, CoachVac, MegaVac, FlexFit, Super HalfVac, ProGuard, ProBlitz, Qwik Lock, Pro-Duster, Cleaning for Health, Four Level, JetSweep, Intercept Micro, QuietPower, Xover, ProBlade and Team Cleaning are trademarks and registered trademarks of ProTeam, Inc. ManageMen is a registered trademark of ManageMen in the USA. Velcro is a registered trademark of Velcro Industries in the USA.

Super Coach Pro® 10

107303* Super Coach Pro 10 w/ Xover Telescoping Wand Tool Kit D (107100)



ProTeam recently upgraded the FlexFit® articulating harness on the Super Coach Pro with thicker back and shoulder pads for more comfortable contact points. The new harness also features improved lumbar support and a stronger, easy-to-adjust sternum strap. Weight of backpack is distributed to the natural center of gravity, so you have better balance no matter how you move.



ERGONOMIC



PRODUCTIVE



COST OF OWNERSHIP



10 qt. LARGE CAPACITY



CLEANING FOR HEALTH

Specifications

Weight:	12 lbs./5.4 kg
Airflow:	159 CFM
Static Lift:	96 in.
Motor:	1108 W/9.5 A
Decibel:	65.8 dBA
Capacity:	10 qt./11 L
Four Level Filtration w/ HEPA:	1372 sq. in. total area

HEPA Filtration

99.97% at 0.3 microns

Warranty

3 years parts, labor and motor on vacuum

Limited lifetime on molded body parts

*STANDARD CONFIGURATION

- 14" Xover Floor Tool
- Telescoping Wand
- 5" Upholstery Tool
- 3" Dust Brush
- 17" Crevice Tool

OPTIONAL CONFIGURATIONS

- 107304 w/ Xover Two-Piece Wand Tool Kit B (107098)
- 107305 w/ Xover Performance Telescoping Wand Tool Kit C (107099)
- 107306 w/ Hard Surface Flooring Kit A (101829)
- 107338 w/ Hard Surface Flooring Kit B (107336)
- 107339 w/ Hard Surface Flooring Kit C (105889)
- 107340 w/ 15" Carpet Sidewinder Kit A (106820)
- 107341 w/ 18" Carpet Sidewinder Kit B (106841)
- 107342 w/ Hard Surface Flooring Kit D (105891)
- 107465 w/ Carpet and Hard Surface Sidewinder Kit C (107463)
- 107468 w/ Remediation Kit (107466)
- 107536 w/ ProBlade™ Carpet Floor Tool Kit (107530)
- 107537 w/ ProBlade Hard Surface Floor Tool Kit (107531)
- 107538 w/ ProBlade Carpet and Hard Surface Floor Tool Kit (107532)

Super Coach Pro® 6

107310* Super Coach Pro 6 w/ Xover Telescoping Wand Tool Kit D (107100)



The same powerful vacuum as the Super Coach Pro 10 is also available in this 6 qt. size for users of shorter stature. ProTeam recently upgraded the FlexFit articulating harness with thicker back and shoulder pads and improved lumbar support for more user comfort and productivity. Easy access motor HEPA filters capture and contain microscopic particulates and carbon dust.



ERGONOMIC



TIME SAVING



COST OF OWNERSHIP



INDOOR AIR QUALITY



MANEUVERABLE

Specifications

Weight:	11.6 lbs./5.25 kg
Airflow:	159 CFM
Static Lift:	96 in.
Motor:	1108 W/9.5 A
Decibel:	65.8 dBA
Capacity:	6 qt./6.6 L
Four Level Filtration w/ HEPA:	1054 sq. in. total area

HEPA Filtration

99.97% at 0.3 microns

Warranty

3 years parts, labor and motor on vacuum

Limited lifetime on molded body parts

*STANDARD CONFIGURATION

- 14" Xover Floor Tool
- Telescoping Wand
- 5" Upholstery Tool
- 3" Dust Brush
- 17" Crevice Tool

OPTIONAL CONFIGURATIONS

- 107308 w/ Xover Two-Piece Tool Kit B (107098)
- 107307 w/ Xover Performance Telescoping Wand Tool Kit C (107099)
- 107309 w/ Hard Surface Floor Kit A (101829)
- 107343 w/ 15" Carpet Sidewinder Kit A (106820)
- 107344 w/ 18" Carpet Sidewinder Kit B (106841)
- 107371 w/ Pest Control Kit (103439)
- 107464 w/ Carpet and Hard Surface Sidewinder Kit C (107463)
- 107467 w/ Remediation Kit (107466)
- 107533 w/ ProBlade Carpet Floor Tool Kit (107530)
- 107534 w/ ProBlade Hard Surface Floor Tool Kit (107531)
- 107535 w/ ProBlade Carpet and Hard Surface Floor Tool Kit (107532)

Super CoachVac® HEPA

107119* Super CoachVac HEPA w/
Xover Telescoping Wand Tool Kit D (107100)

The Super CoachVac HEPA is a productivity powerhouse designed to tackle the most demanding cleaning challenges. This powerful and high filtration unit is ideal for vacuuming high square-footage areas that require the utmost cleanliness.



ERGONOMIC



PRODUCTIVE



COST OF OWNERSHIP



10 qt. LARGE CAPACITY



CLEANING FOR HEALTH

Specifications

Weight:	11 lbs./4.99 kg
Airflow:	150 CFM
Static Lift:	100 in.
Motor:	1188 W/9.9 A
Decibel:	66 dBA
Capacity:	10 qt./11 L
Four Level Filtration w/ HEPA:	1190 sq. in. total area

HEPA Filtration

99.97% at 0.3 microns

Warranty

3 years parts, labor and motor on vacuum

Limited lifetime on molded body parts

*STANDARD CONFIGURATION

- 14" Xover Floor Tool
- Telescoping Wand
- 5" Upholstery Tool
- 3" Dust Brush
- 17" Crevice Tool

OPTIONAL CONFIGURATIONS

- 107104 w/ Xover Performance Two-Piece Wand Tool Kit A (107097)
- 107109 w/ Xover Two-Piece Wand Tool Kit B (107098)
- 107114 w/ Xover Performance Telescoping Wand Tool Kit C (107099)

Super QuarterVac® HEPA

107118* Super QuarterVac HEPA w/
Xover Telescoping Wand Tool Kit D (107100)

The smaller yet equally powerful sibling of the Super CoachVac backpack vacuum, is versatile enough for any sized cleaning professional. The quality built Super QuarterVac HEPA is a formidable tool for battling poor indoor air quality.



TIME SAVING



ERGONOMIC



COST OF OWNERSHIP



INDOOR AIR QUALITY



SUSTAINABLE

Specifications

Weight:	10 lbs./4.5 kg
Airflow:	150 CFM
Static Lift:	100 in.
Motor:	1188 W/9.9 A
Decibel:	67 dBA
Capacity:	6 qt./6.6 L
Four Level Filtration w/ HEPA:	729 sq. in. total area

HEPA Filtration

99.97% at 0.3 microns

Warranty

3 years parts, labor and motor on vacuum

Limited lifetime on molded body parts

*STANDARD CONFIGURATION

- 14" Xover Floor Tool
- Telescoping Wand
- 5" Upholstery Tool
- 3" Dust Brush
- 17" Crevice Tool

OPTIONAL CONFIGURATIONS

- 107103 w/ Xover Performance Two-Piece Wand Tool Kit A (107097)
- 107108 w/ Xover Two-Piece Wand Tool Kit B (107098)
- 107113 w/ Xover Performance Telescoping Wand Tool Kit C (107099)

MegaVac®

105896* MegaVac w/
Hard Surface Tool & Blower Tool Kit B (106986)

The MegaVac powers through the toughest industrial and construction clean up jobs. The versatile design allows for quick conversion into a high powered blower while the huge filter capacity contains large amounts of debris.



PRODUCTIVE



ERGONOMIC



COST OF OWNERSHIP



10 qt. LARGE CAPACITY



BLOWER

Specifications

Weight:	11 lbs./4.99 kg
Airflow:	150 CFM
Static Lift:	100 in.
Motor:	1188 W/9.9 A
Decibel:	66 dBA
Capacity:	10 qt./11 L
Four Level Filtration:	1136 sq. in. total area

Warranty

3 years parts, labor and motor on vacuum
Limited lifetime on molded body parts

*STANDARD CONFIGURATION

- 14" Hard Floor Tool w/Horse Hair Brush
- Two-Piece, Two-Bend Aluminum Wand
- Blower Tool
- 3" Dust Brush
- 17" Crevice Tool

OPTIONAL CONFIGURATIONS

- 105892 w/ Hard Surface Tools & Blower Tool Kit A (106984)
- 107137 w/ Xover Performance Two-Piece Wand Blower Tool Kit D (107160)
- 107345 w/ Hard Surface Tool & Blower Tool Kit C (107337)
- 107138 w/ Xover Two-Piece Wand Blower Tool Kit E (107159)

AviationVac®

106542* AviationVac w/
Aviation 1½" Tool Kit #1 (106502)

Designed exclusively for the transportation industry, the AviationVac utilizes the same 400 Hz power system used on transport vehicles without the need for bulky adaptors. The lightweight wand and ergonomic backplate provide a highly efficient tool for cleaning up in a hurry.



ERGONOMIC



TIME SAVING



AIRPLANE



MANEUVERABLE



CLEANING FOR HEALTH

Specifications

Weight:	10 lbs./4.5 kg
Airflow:	106 CFM
Static Lift:	82 in.
Motor:	864 W/ 7.2 A
Decibel:	68 dBA
Capacity:	6 qt./6.6 L
Four Level Filtration:	676 sq. in. total area

Warranty

3 years parts, labor and motor on vacuum
Limited lifetime on molded body parts

*STANDARD CONFIGURATION

- One-Piece, Two-Bend Aluminum Wand
- 17" Crevice Tool
- 3" Dust Brush
- 5" Upholstery Tool
- 12" Aluminum Gulper Floor Tool

OPTIONAL CONFIGURATIONS

- 103024 w/ Aviation 1¼" Tool Kit #2 (103222)
- 107155 w/ Xover Performance Telescoping Wand Tool Kit C (107099)
- 107156 w/ Xover Telescoping Wand Tool Kit D (107100)



Super HalfVac® Pro

107325* Super HalfVac Pro w/
Xover Telescoping Wand Tool Kit D (107100)

The redesigned Super HalfVac Pro provides versatility and performance in a lightweight, compact size. This sleek hipstyle vacuum features a versatile harness system for user comfort and maximum productivity.



VERSATILE FIT



PRODUCTIVE



COST OF OWNERSHIP



INDOOR AIR QUALITY



MANEUVERABLE

Specifications

Weight:	10.5 lbs./4.76 kg
Airflow:	106 CFM
Static Lift:	97 in.
Motor:	1050 W/8.5 A
Decibel:	64 dBA
Capacity:	6 qt/6.6 L
Four Level Filtration w/ HEPA:	1060 sq. in. total area

HEPA Filtration

99.97% at 0.3 microns

Warranty

- 3 years parts & labor
- 1 year on motor
- 3 years on molded body parts

*STANDARD CONFIGURATION

- 14" Xover Floor Tool
- Telescoping Wand
- 5" Upholstery Tool
- 3" Dust Brush
- 17" Crevice Tool

OPTIONAL CONFIGURATIONS

- 107327 w/ Xover Two-Piece Wand Tool Kit B (107098)
- 107328 w/ Xover Performance Two-Piece Wand Tool Kit C (107099)
- 107385 w/ Restaurant Tool Kit (100727)

RunningVac®

107150* RunningVac w/
Xover Telescoping Wand Tool Kit D (107100)



With the same durable construction found in all ProTeam vacuums, the RunningVac provides exceptional cleaning strength unmatched by traditional canisters. This high performance speed canister is the perfect solution for increasing productivity when a canister is needed.



10 qt.

LARGE CAPACITY



SUSTAINABLE



COST OF OWNERSHIP



EASY MAINTENANCE



CLEANING FOR HEALTH

Specifications

Weight:	12 lbs./ 5.44 kg
Airflow:	150 CFM
Static Lift:	100 in.
Motor:	1188 W/9.9 A
Decibel:	66 dBA
Capacity:	10 qt./11 L
Four Level Filtration:	1054 sq. in. total area

Warranty

3 years parts, labor and motor on vacuum
Limited lifetime on molded body parts

*STANDARD CONFIGURATION

- 14" Xover Floor Tool
- Telescoping Wand
- 5" Upholstery Tool
- 3" Dust Brush
- 17" Crevice Tool

OPTIONAL CONFIGURATION

107149 w/ Xover Performance Telescoping Wand Tool Kit C (107099)

ProGen® 12/15

107329 ProGen 12

107330 ProGen 15



The NEW ProGen 12/15 has the added performance and features to make it an instant hit with cleaning professionals. Choose 12" or 15" width for productivity in a variety of applications. The increased maneuverability, animated dashboard display and patented Snap Lock Lid make this an upright like no other.

Ergonomic lightweight handle provides comfortable operation while the quick change cord feature and the user's ability to reach clogs in four easy access points provide quick and easy maintenance.



EASY MAINTENANCE



SUSTAINABLE



COST OF OWNERSHIP



LAYS FLAT



MANEUVERABLE

Specifications

Weight:

ProGen 12 17 lbs./7.71 kg

ProGen 15 18 lbs./8.17 kg

Airflow: 100 CFM

Static Lift: 93 in.

Motor: 1100 W/9.8 A

Decibel: 69 dBA

Capacity: 3.25 qt/3 L

Three Level Filtration w/ HEPA: 236 sq. in. total area

Cord length:

ProGen 12 40'

ProGen 15 50'

Warranty

3 years parts , labor, motor and molded body parts (except for wear items)

ProForce® 1200XP HEPA
ProForce® 1500XP HEPA

107251 ProForce 1200XP HEPA
 107252 ProForce 1500XP HEPA



Our top-of-the-line ProForce uprights have evolved into superior cleaning machines. The ProForce 15" uprights provide exceptional cleaning in a high-filtration upright to improve reach, durability, and Indoor Air Quality. The dual motor system and HEPA exhaust filter maximize efficiency and effectiveness. The powerful ProForce contains a high-performance dual-motor system and a low profile, L-shaped head perfect for vacuuming under and around furniture. ProForce 1500XP HEPA and ProForce 1200XP HEPA models are equipped with premium quality on-board tools including a lightweight plastic wand with a super stretch-hose.

The ProForce 1200XP HEPA is designed for advanced versatility allowing the 12" powerhead to reach even smaller spaces.



HIGH PILE



SUSTAINABLE



COST OF OWNERSHIP



INDOOR AIR QUALITY



LAYS FLAT

Specifications

Weight:	18 lbs./8.17 kg
Airflow:	96 CFM
Static Lift:	84 in.
Motor:	924 W Dual Motor/10 A
Decibel:	67 dBA
Capacity:	3.25 qt/3 L
Four Level Filtration w/ HEPA:	522 sq. in. total media

Warranty

3 years parts , labor, motor and molded body parts (except for wear items)

ProVac® CN

103220* ProVac CN w/ Restaurant Tool Kit (100727)



The ProVac CN meets the high demands of the foodservice industry by providing exceptional cleaning strength without belts, beater bars or brushes. A 10 qt. filter provides maximum cleaning ability.



TIME SAVING



LARGE CAPACITY



COST OF OWNERSHIP



EASY MAINTENANCE



CLEANING FOR HEALTH

Specifications

Weight:	12 lbs./5.44 kg
Airflow:	150 CFM
Static Lift:	100 in.
Motor:	1188 W/9.9 A
Decibel:	66 dBA
Capacity:	10 qt./11 L
Four Level Filtration	1045 sq. in. total area

Warranty

3 years parts, labor and motor on vacuum

Limited lifetime on molded body parts

*STANDARD CONFIGURATION

- 14" Hard Floor Tool w/Nylon Brush
- 14" Carpet Tool w/Scallops
- 5" Upholstery Tool
- 3" Dust Brush
- 11" Crevice Tool
- Two-Piece Aluminum Wand w/Button Lock,
- 10-pack Intercept Micro Filters
- Extra Micro Cloth Filter

OPTIONAL CONFIGURATIONS

- 107153 w/ Xover Performance Telescoping Wand Tool Kit C (107099)
- 107154 w/ Xover Telescoping Wand Tool Kit D (107100)

ProVac® FS 6

107363* ProVac FS 6 w/Restaurant Tool Kit (100727)

The ProVac FS 6 is designed specifically to triumph over the demands of the foodservice and hospitality industry. The unit is virtually indestructible – without belts, beater bars or brushes. The ProVac FS 6 rises to any foodservice challenge.



ERGONOMIC



PRODUCTIVE



EASY MAINTENANCE



MANEUVERABLE



CLEANING FOR HEALTH

Specifications

Weight:	11.6 lbs./5.25 kg
Airflow:	159 CFM
Static Lift:	96 in.
Motor:	1108 W/9.5 A
Decibel:	65.8 dBA
Capacity:	6 qt./6.6 L
Four Level Filtration w/ HEPA:	1054 sq. in. total area

HEPA Filtration

99.97% at 0.3 microns

Warranty

3 years parts, labor and motor on vacuum

Limited lifetime on molded body parts

*STANDARD CONFIGURATION

14" Hard Floor Tool w/Nylon Brush
14" Carpet Tool w/Scallops
5" Upholstery Tool
3" Dust Brush
11" Crevice Tool
Two-Piece Aluminum Wand w/Button Lock
10-pack Intercept Micro Filters
Extra Micro Cloth Filter

QuietPro® BP HEPA

107146* QuietPro BP HEPA w/
Xover Telescoping Wand Tool Kit D (107100)

The QuietPro BP HEPA with QuietPower® Technology delivers high performance and exceptional cleaning strengths for environments where low sound levels are critical. Never worry about disrupting building occupants during regular business hours again.



ERGONOMIC



PRODUCTIVE



QUIET



DAY CLEANING



CLEANING FOR HEALTH

Specifications

Weight:	11 lbs./4.99 kg
Power Mode (High):	
Airflow:	106 CFM
Static Lift:	82 in.
Motor:	864 W/7.2 A
Decibel:	60 dBA
Quiet Mode (Low):	
Airflow:	74 CFM
Static Lift:	45 in.
Motor:	612 W/5.1 A
Decibel:	51 dBA
Capacity:	6 qt/6.6 L
Four Level Filtration w/HEPA:	725 sq. in. total area

HEPA Filtration

99.97% at 0.3 microns

Warranty

3 years parts, labor and motor on vacuum

Limited lifetime on molded body parts

*STANDARD CONFIGURATION

14" Xover Floor Tool
Telescoping Wand
5" Upholstery Tool
3" Dust Brush
17" Crevice Tool

OPTIONAL CONFIGURATIONS

105733 w/ Carpet Two-Piece Wand Tool Kit A (100078)

107145 w/ Xover Performance Telescoping Wand Tool Kit C (107099)

QuietPro® CN HEPA

107152* QuietPro CN HEPA w/
Xover Telescoping Tool Kit D (107100)

The QuietPro CN HEPA vacuum with QuietPower Technology delivers high performance where low sound levels are critical. With a filter capacity four times the size of standard uprights, the QuietPro CN HEPA provides maximum cleaning ability.



SUSTAINABLE



QUIET



COST OF OWNERSHIP



DAY CLEANING



10 qt. LARGE CAPACITY

Specifications

Weight:	12 lbs./5.44 kg
Power Mode (High):	
Airflow:	124 CFM
Static Lift:	75 in.
Motor:	744 W/6.2 A
Decibel:	55 dBA
Quiet Mode (Low):	
Airflow:	85 CFM
Static Lift:	38 in
Motor:	552 W/4.6 A
Decibel:	47 dBA
Capacity:	10 qt/11 L
Four Level Filtration w/HEPA:	2188 sq. in. total media

HEPA Filtration

99.97% at 0.3 microns

Warranty

3 years parts, labor and motor on vacuum

Limited lifetime on molded body parts

*STANDARD CONFIGURATION

14" Xover Floor Tool 3" Dust Brush
Telescoping Wand 17" Crevice Tool
5" Upholstery Tool

OPTIONAL CONFIGURATION

107151 w/ Xover Performance Telescoping Wand Tool Kit C (107099)

Improved Cordless Cleaning Coming Soon!

GoFree® Flex Pro

107507* GoFree Flex Pro 12Ah w/
Xover Telescoping Wand Tool Kit D (107100)

Working without restrictions means going wherever you need to go to get the job done. ProTeam adds comfort to cordless in our most powerful battery-powered backpack vacuum ever. Go anywhere + 30% increase in backpack productivity by eliminating the restriction of a cord and cord management tasks.



TIME SAVING



CORDLESS



COST OF OWNERSHIP



MANEUVERABLE



CLEANING FOR HEALTH

Specifications

Airflow:	70 CFM
Static Lift:	65 in.
Decibel:	63.7 dBA
Capacity:	6 qt/6.6 L
Four Level Filtration w/ HEPA:	1054 sq. in. total area
Battery Type:	Lithium-Ion
Weight:	18 lbs./8.2 kg
Approximate Runtime:	60 mins.
Approximate Charge Time:	2.5 - 3 hrs.

HEPA Filtration

99.97% at 0.3 microns

*STANDARD CONFIGURATION

- 14" Xover Floor Tool
- Telescoping Wand
- 5" Upholstery Tool
- 3" Dust Brush
- 17" Crevice Tool

OPTIONAL CONFIGURATIONS - AVAILABLE SOON

- 107508 12Ah w/ Xover Performance Telescoping Wand Tool Kit C (107099)
- 107509 12Ah w/ Xover Two-Piece Wand Tool Kit B (107098)
- 107539 12Ah w/ ProBlade Carpet Straight Telescoping Wand Tool Kit (107530)
- 107540 12Ah w/ ProBlade Hard Surface Straight Telescoping Wand Tool Kit (107531)
- 107541 12Ah w/ ProBlade Carpet & Hard Surface Tool Kit (107532)
- 107513 12Ah Replacement Battery
- 107516 Battery Charger

GoCartVac®

106209* GoCartVac w/GoCart Telescoping Wand Tool Kit A (104885)



With the ability to plug into a wall socket or run off the large battery reserve, the GoCartVac allows cleaning professionals the ability to clean anywhere, anytime, without the limitations of cords or the concern of noisy equipment. Go anywhere with the GoCartVac's 20' hose.



*Garbage can not included.



PRODUCTIVE



CORDLESS



QUIET



INDOOR AIR QUALITY



DAY CLEANING

Specifications

Airflow:	82 CFM
Static Lift:	67 in.
Motor:	36 V /14.1 A
Decibel:	58 dBA
Capacity:	6 qt/6.6 L
Battery Type:	Sealed (non-spillable), Lead Acid
Approximate Run Time:	1 hour
Approximate Charge Time (w/36V-18.5 amp battery charger):	3.5 hours

Warranty

6 months on battery
1 year on battery charger
3 years on motor
Limited lifetime on molded body parts

*STANDARD CONFIGURATION

- Chrome Telescoping Wand w/Button Lock
- 10" Multi-Surface Floor Tool
- 13" Crevice Tool
- 5 ½" Upholstery Tool w/Removable Brush
- 2 ½" Rectangular Dust Brush 90/180° Swivel

OPTIONAL CONFIGURATION

- 107292 w/ GoCart Xover Performance Telescoping Wand Tool Kit B (107290)

LineVacer® HEPA/ULPA

100277* LineVacer HEPA w/
High Filtration Vacuum Tool Kit (100163)

\$749

The ProTeam Linevacer® HEPA/ULPA backpack vacuum is equipped with a unique Four Level® filtration system which utilizes a certified HEPA or ULPA filter as the last filtration stage. The certified HEPA filter is 99.97% efficient at filtering particulates down to 0.3 microns in size and is designed so that all particulate drawn into the vacuum is expelled through the HEPA filter with no air leaking past it. The Linevacer® is ideal for applications when clean air in a controlled environment is critical such as cleaning medical facilities, clean rooms and computer labs, and meets the EPA's definition of a HEPA Vacuum under the Lead Safety Renovation, Repair and Painting Rule (EPA RRP Rule).



ERGONOMIC



PRODUCTIVE



HEPA/ULPA



INDOOR AIR QUALITY



CLEANING FOR HEALTH

Specifications

Weight:	13 lbs./5.9 kg
Airflow:	124 CFM
Static Lift:	75 in.
Motor:	744 W/6.2 A
Decibel:	64 dBA
Capacity:	10 qt/11 L
Four Level Filtration w/ HEPA:	2283 sq. in. total area
Four Level Filtration w/ ULPA:	3232 sq. in. total area

True HEPA / ULPA Filtration

HEPA:	99.97% at 0.3 microns
ULPA:	99.999+% at 0.12 microns

Warranty

3 years parts, labor & motor on vacuum
Limited lifetime on molded body parts

*STANDARD CONFIGURATION

- Two-Piece Aluminum Wand w/Button Lock
- 5" Upholstery Tool
- 3" Dust Brush
- 14" Carpet Tool w/Scallops
- 36" One-Bend Bulk Pick-Up Tool

OPTIONAL CONFIGURATIONS

- 100280** ULPA w/ High Filtration Vacuum Tool Kit (100163)
- 107141** HEPA w/ Xover Performance Telescoping Wand Tool Kit C (107099)
- 107142** HEPA w/ Xover Telescoping Wand Tool Kit D (107100)
- 107161** HEPA w/ Turbo Brush Tool Kit (107162)
- 107471** HEPA w/ Remediation Tool Kit (107466)

ProBlitz®

107132 ProBlitz

107133 ProBlitz XP



Maximum airflow and low amp draw combine to make the ProBlitz AirMover the first choice for Carpet Cleaners and Restoration Contractors alike. With 3 fan speeds and 3 operating positions, the ProBlitz AirMover tackles every air circulation requirement with ease.



**ProBlitz XP AirMover shown.*



Specifications

Motor:	.4 HP/360 Watt/Capacitor	
Amperage:	Low	2.4 A
	Medium	2.7 A
	High	3.0 A
Airflow:	2200 CFM (max)	
Weight:	28 lbs./12.7 kg	
Decibel:	Low	63 dbA
	Medium	65 dbA
	High	66 dbA
Housing:	2-Piece High-Impact Polypropylene w/ Built-in Cord Wrap	
Storage:	Vertically stackable and top-mounted carry handle	
Blower Wheel:	High-Impact Polypropylene	
Drying Positions:	Three - 0°, 45°/60° (XP model only), 90°	
Transportation:	Telescoping handle and wheels (XP model only)	
Power Cord:	30', 18-3 AWG w/ Grounded Plug	

OPTIONAL ACCESSORY

107300 Carpet Clamp Kit



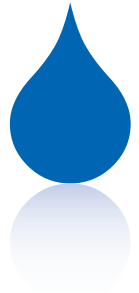
Warranty

3 years parts, labor and motor
Limited lifetime on molded housing

ProGuard® LI 3 Cordless

107495 ProGuard LI 3 Cordless

The ProGuard LI 3 Cordless Vacuum combines powerful vacuum performance with the cord-free convenience of 18-volt Lithium Ion power for quick cleanup. The ProGuard LI's lightweight design and narrow profile makes this vacuum easy to carry and easy to store.

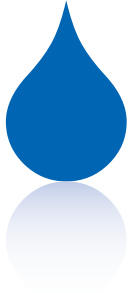


Specifications		Standard Configuration
Motor:	18 Volt, permanent magnet DC	2' to 7' Stretch Vacuum Hose
Airflow:	60 CFM	Crevice Tool
Static Lift:	38"	Dust Brush
Tank Size:	3 gallon/11.4 L	Claw Nozzle
Weight:	10.5 lbs./4.8 kg	Battery and Charger
Decibel:	72 dBA	Warranty
Fine Dust Cartridge Filter:	903 sq. in.	3 years on parts and labor
Battery Type:	Lithium Ion	1 year on vacuum motor, battery and charger
Approximate Run Time:	14 minutes	Limited lifetime on molded body parts
Approximate Charge Time:	60 minutes	

OPTIONAL ACCESSORY	RECOMMENDED ENVIRONMENTS:	RECOMMENDED APPLICATIONS:
107496 Battery Assembly 107490 Charger	<ul style="list-style-type: none"> • Education • Healthcare • Hospitality • Facility Service Providers 	<ul style="list-style-type: none"> • Small Spills • Flooding • Jobsite Cleanup • Day Porters • Spot Cleaning

ProGuard® 4 Portable

107128 ProGuard 4 Portable w/4 Gallon Tool Kit (107184)



Power and versatility come together in the portable ProGuard 4 Wet/Dry Vacuum. For emergency spills, detail cleaning and portable jobsite maintenance, there's no better choice for true wet/dry vacuum performance in an easy-to-carry package.



Specifications		Standard Configuration
Motor:	1080 W/9.0 A	10' Vacuum Hose
Airflow:	142 CFM	Two-piece Wand
Static Lift:	51"	Master Floor Tool
Tank Size:	4 gallon/15.2 L	Carpet Insert
Weight:	12 lbs./5.5 kg	Hard Surface Insert
Decibel:	76 dBA	Squeegee Insert
Fine Dust Cartridge Filter:	903 sq. in.	Crevice Tool
Power Cord:	20', 18 AWG	Dust Brush
		Claw Nozzle

Warranty
3 years on parts and labor
1 year on vacuum motor
Limited lifetime on molded body parts

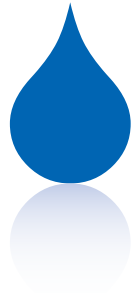
RECOMMENDED ENVIRONMENTS:
<ul style="list-style-type: none"> • Education • Healthcare • Hospitality • Facility Service Providers

RECOMMENDED APPLICATIONS:
<ul style="list-style-type: none"> • Emergency Spills • Spot Cleaning • Jobsite Maintenance • Flooding • Day Porters

ProGuard® 10

107129 ProGuard 10 w/Wet/Dry Tool Kit (107187)

The ProGuard 10 Wet/Dry Vacuum offers durable construction and powerful performance. With a heavy duty, 2 stage motor and commercial grade tools and hose, the ProGuard 10 will keep working even in the toughest environments.



Specifications		Standard Configuration	
Motor:	1380 W/9.5 A	10' Vacuum Hose	
Airflow:	105 CFM	Two-Piece Wand	
Static Lift:	95"	Nylon Floor Tool	
Tank Size:	10 gallon/38 L	Squeegee Tool	
Weight:	28 lbs./12.7 kg	Crevice Tool	
Decibel:	68 dBA	Dust Brush	
ProGuard Wet Filter:	Polypropylene Screen		
Fine Dust Cartridge Filter:	1276 sq. in.		
Power Cord:	50', 14 AWG		
		Warranty	
		3 years parts, labor and motor on vacuum	
		Limited lifetime on molded body parts	

RECOMMENDED ENVIRONMENTS:

- Education
- Healthcare
- Hospitality / Food service

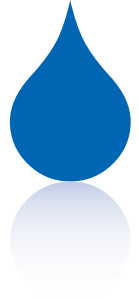
RECOMMENDED APPLICATIONS:

- Retail
- Emergency / Flood Cleanup
- Hard Floor / Refinishing

ProGuard® 16 MD

107386 ProGuard 16 MD w/Wet/Dry Tool Kit (107187)

The ProGuard 16 MD packs a big punch in a small profile. This 16 gallon unit can maneuver easily around obstacles from emergency spills to construction cleanup. The compact size and removable handle allows for easy storage and is equipped with a convenient tool bag to hold all necessary hand tools within reach.



Specifications		Standard Configuration
Motor:	1380 W/9.5 A	10' Vacuum Hose
Airflow:	105 CFM	Two-piece Wand
Static Lift:	95"	Nylon Floor Tool
Tank Size:	16 gallon/60.6 L	Squeegee Tool
Weight:	29 lbs./13.2 kg	Crevice Tool
Decibel:	66 dBA	Dust Brush
ProGuard Wet Filter:	Polypropylene Screen	
Fine Dust Cartridge Filter:	1276 sq. in.	
Power Cord:	50', 16 AWG	
		Warranty
		3 years parts, labor and motor on vacuum
		Limited lifetime on molded body parts

RECOMMENDED ENVIRONMENTS:
<ul style="list-style-type: none"> • Education • Healthcare • Hospitality • Facility Service

RECOMMENDED APPLICATIONS:
<ul style="list-style-type: none"> • Retail • Emergency/Flood Cleanup • Hard Floor Refinishing • Manufacturing

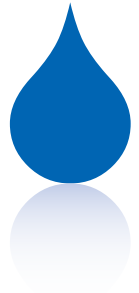
ProGuard® 15

107359 ProGuard 15 w/107187 Tool Kit & Front Mount Squeegee

\$949

Power and versatility are combined with innovation in the ProGuard 15 Wet/Dry Vacuum. The patented variable wheel pattern allows for increased maneuverability and improved productivity while offering the performance, filtration and durability you expect from a ProTeam vacuum.

**Shown without Front Mount Squeegee.*



Specifications

Motor:	1380 W/9.5 A
Airflow:	105 CFM
Static Lift:	95"
Tank Size:	15 gallon / 57.0 L
Weight:	68 lbs./31 kg
Decibel:	69 dBA
ProGuard Wet Filter:	Polypropylene Screen
Fine Dust Cartridge Filter:	1276 sq. in.
Power Cord:	50', 14 AWG

Standard Configuration

10' Vacuum Hose
Two-Piece Wand
Nylon Floor Tool
Squeegee Tool
Crevice Tool
Dust Brush

Warranty

3 years parts, labor and motor on vacuum
Limited lifetime on molded body parts

OPTIONAL CONFIGURATIONS

- 107130 ProGuard 15 w/ Wet/Dry Tool Kit (107187) (no squeegee)
- 107185 Front Mount Squeegee



RECOMMENDED APPLICATIONS:

- Retail
- Emergency / Flood Cleanup
- Hard Floor Refinishing
- Manufacturing

ProGuard® 20

107360 ProGuard 20 w/107187 Tool Kit & Front Mount Squeegee

The ProGuard 20 Wet/Dry Vacuum delivers high power, performance and durability and include thoughtful features that make it easier and more convenient to use. This unit can help cleaning professionals respond quickly to any challenge big or small. Optional front mount squeegee system saves time, money and energy when stripping floors. Patented wheel configuration allows for increased maneuverability.



Specifications

Motor:	1380 W/9.5 A
Airflow:	105 CFM
Static Lift:	95"
Tank Size:	20 gallon / 76.0 L
Weight:	70 lbs./32 kg
Decibel:	69 dBA
ProGuard Wet Filter:	Polypropylene Screen
Fine Dust Cartridge Filter:	1276 sq. in.
Power Cord:	50', 14 AWG

Standard Configuration

- 10' Vacuum Hose
- Two-Piece Wand
- Nylon Floor Tool
- Squeegee Tool
- Crevice Tool
- Dust Brush

Warranty

- 3 years parts, labor and motor on vacuum
- Limited lifetime on molded body parts

OPTIONAL CONFIGURATIONS

- 107131 ProGuard 20 w/Wet/Dry Tool Kit (107187) (no squeegee)
- 107185 Front Mount Squeegee

RECOMMENDED APPLICATIONS:

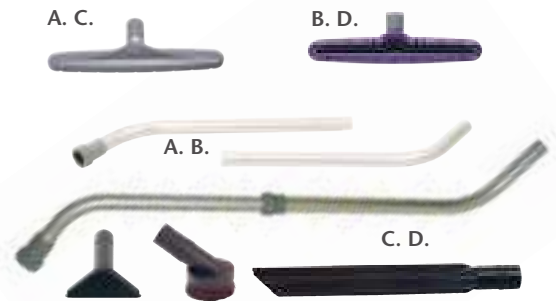
- Retail
- Emergency / Flood Cleanup
- Hard Floor Refinishing
- Manufacturing

14" Xover® Floor Tool 1½" Tool Kits

Part No.	Description	List Price
A. 107097	14" Xover Performance Floor Tool (107015), Two-Piece Wand Kit (101338)	████████
B. 107098	14" Xover Floor Tool (107016), Two-Piece Wand Kit (101338)	████████
C. 107099	14" Xover Performance Floor Tool (107015), Telescoping Wand Kit (106290)	████████
D. 107100	14" Xover Floor Tool (107016), Telescoping Wand Kit (106290)	████████

Each kit contains:

100108	17" Crevice Tool
100110	3" Dust Brush
100115	5" Upholstery Tool



Carpet Two-Piece 1½" Wand Tool Kit

Part No.	Description	List Price
100078	14" Floor Tool w/Scallops (100147)	████████

Each kit contains:

101338	56" Two-Piece, Two-Bend Aluminum Wand
100108	17" Crevice Tool
100110	3" Dust Brush
100115	5" Upholstery Tool

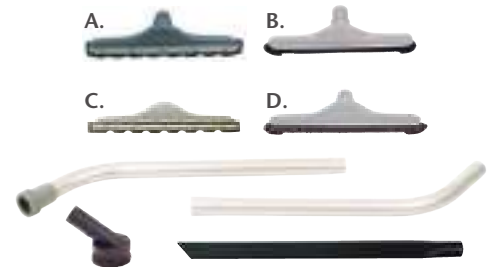


Hard Surface Two-Piece 1½" Wand Tool Kits

Part No.	Description	List Price
A. 101829	Hard Surface Tool w/ Scalloped & Flat Felt Brush (106194)	████████
B. 107336	Hard Surface Tool w/ Nylon Brush (100623)	████████
C. 105889	Hard Surface Tool w/Scalloped Felt Brush (100144)	████████
D. 105891	Hard Surface Tool w/Horse Hair Brush (100614)	████████

Each kit contains:

101338	56" Two-Piece, Two-Bend Aluminum Wand
100109PT	28" Crevice Tool
100110	3" Dust Brush



Pest Management 1¼" Tool Kit

Part No.	Description	List Price
103439	Pest Management Tool Kit	████████

Each kit contains:

102361	17" Two-Piece, Straight Plastic Wand
102399	Vibrating Upholstery Tool
102663	Mesh Bag
102684	Electronic Cleaning Kit
103089	2½" Dust Brush
103099	1¼" Adapter Cuff
103505	13" Curved Chrome Wand
103523	24" Crevice Tool (Flexi-Clean)
106343	24" to 40" Chrome Telescoping Wand w/Button Lock
106709	10" Multi-Surface Floor Tool

Note: Extra 10-pk Intercept Micro Filters included with Pest Control Kit.



Turbo Brush 1¼" Tool Kit

Part No.	Description	List Price
100135	Turbo Brush with Wand	████████

Each kit contains:

100117	11" Turbo Brush Tool
100136	54" One-Bend Chrome Tapered Wand



Remediation 1½" Tool Kit

Part No.	Description	List Price
107466	Remediation Tool Kit	████████

Each kit contains:

101338	56" Two-Piece, Two-Bend Aluminum Wand
100110	3" Dust Brush
100115	5" Upholstery Tool
100150	36" One-Bend Bulk Pick-Up Tool
100147	14" Carpet Tool w/Scallops
100623	14" Hard Floor Tool w/Nylon Brush



Restaurant 1½" Tool Kit

Part No.	Description	List Price
100727	Restaurant Tool Kit	████████

Each kit contains:

101338	56" Two-Piece Aluminum Wand w/Button Lock
100147	14" Carpet Tool w/Scallops
100110	3" Dust Brush
100115	5" Upholstery Tool
100107PT	11" Crevice Tool
100623	14" Hard Floor Tool w/Nylon Brush

Note: Extra 10-pack Intercept Micro Filters, extra cloth filter included with purchase of ProVac FS 6 (107363) and ProVac CN (103220) with Restaurant Kit.



Aviation 1½" Tool Kit #1

Part No.	Description	List Price
106502	Aviation Tool Kit	████████

Each kit contains:

100110	3" Dust Brush, Horsehair	100115	5" Upholstery Tool
100108	17" Crevice Tool	100155	12" Aluminum Gulper Floor Tool
106293	49" Aluminum One-Piece, Two-Bend Wand		



Aviation 1¼" Tool Kit #2

Part No.	Description	List Price
103222	Aviation Tool Kit	████████

Each kit contains:

103505	1¼" x 13" Curved Chrome Wand w/Button Lock
103086	13" Crevice Tool
103087	Upholstery Tool w/Removable Brush (103088)
103089	Dust Brush, Rectangular 90/180° Swivel
103099	Cuff Adapter
103085	12" Carpet Tool w/Scallops
106343	24" to 40" Chrome Telescoping Wand w/Button Lock

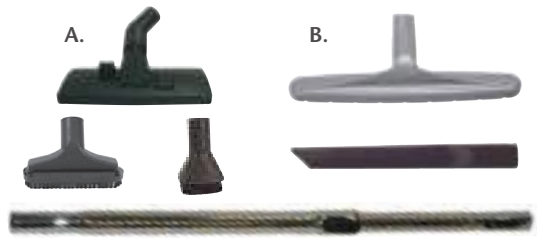


GoCartVac 1¼" Tool Kits

Part No.	Description	List Price
A. 104885	10" Multi-Surface Floor Tool (106709)	████████
B. 107290	Xover Performance Floor Tool w/ 1½" Adapter (107291)	████████

Each kit contains:

106343	24" to 40" Chrome Telescoping Wand w/Button Lock
103086	13" Crevice Tool
103087	5½" Upholstery Tool w/Removable Brush (103088)
103089	2½" Dust Brush, Rectangular 90/180° Swivel

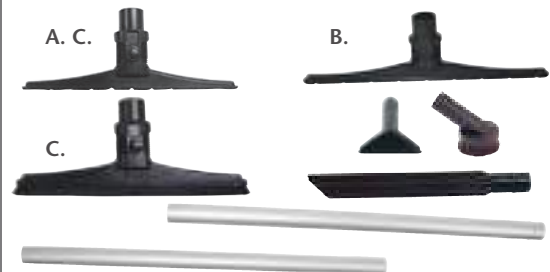


Sidewinder 1½" Tool Kits

Part No.	Description	List Price
A. 106820	15" Carpet Sidewinder Tool (106245)	████████
B. 106841	18" Carpet Sidewinder Tool (105691)	████████
C. 107463	15" Carpet Sidewinder Tool (106245) and 15" Hard Surface Sidewinder Tool (106246)	████████

Each kit contains:

105693	59" Two-Piece Friction Fit Straight Aluminum Wand	100110	3" Dust Brush
100108	17" Crevice Tool	100115	5" Upholstery Tool

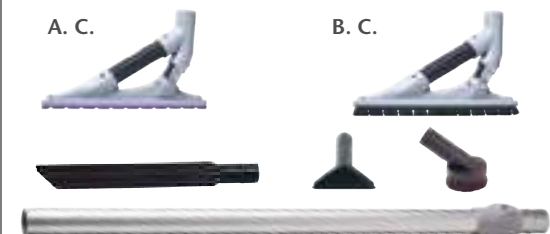


NEW ProBlade 1½" Tool Kits

Part No.	Description	List Price
A. 107530	ProBlade Carpet Tool (107527)	████████
B. 107531	ProBlade Hard Surface Tool (107528)	████████
C. 107532	ProBlade Carpet Tool (107527) and ProBlade Hard Surface Tool (107528)	████████

Each kit contains:

107529	Telescoping Wand	100110	3" Dust Brush
100108	17" Crevice Tool	100115	5" Upholstery Tool



LineVacer 1½" Turbo Brush Tool Kit

Part No.	Description	List Price
107162	1½" Turbo Brush Friction Fit Wand Tool Kit	\$ [REDACTED]

Each kit contains:

102266	Two-Piece, One-Bend, Friction Fit Wand
103608	1½" Turbo Floor Tool
100108	17" Crevice Tool
100115	5" Upholstery Tool
100110	3" Dust Brush



High Filtration Vacuum 1½" Tool Kit

Part No.	Description	List Price
100163	High Filtration Tool Kit	\$ [REDACTED]

Each kit contains:

101338	56" Two-Piece Aluminum Wand w/Button Lock
100147	14" Carpet Tool w/Scallops
100110	3" Dust Brush
100115	5" Upholstery Tool
100150	36" One-Bend Bulk Pick-Up Tool

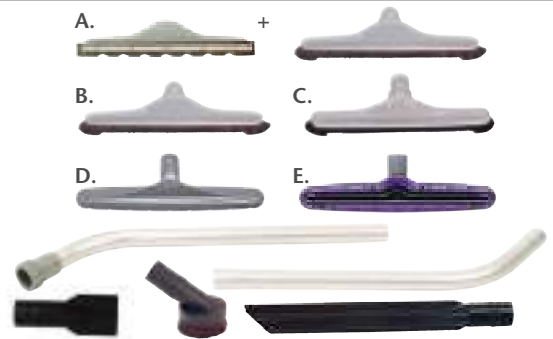


MegaVac 1½" Blower Tool Kits

Part No.	Description	List Price
A. 106984	Hard Surface Tool w/Scalloped Felt Brush (100144) and Hard Surface Tool w/Horse Hair Brush (100614)	\$ [REDACTED]
B. 106986	Hard Surface Tool w/Horse Hair Brush (100614)	[REDACTED]
C. 107337	Hard Surface Tool w/ Nylon Brush (100623)	[REDACTED]
D. 107160	Xover Performance Floor Tool (107015)	[REDACTED]
E. 107159	Xover Floor Tool (107016)	[REDACTED]

Each kit contains:

101338	56" Two-Piece, Two-Bend Aluminum Wand
100108	17" Crevice Tool
100110	3" Dust Brush
106993	Blower Tool



ProGuard 10/15/16/20 Wet/Dry 1½" Tool Kit

Part No.	Description	List Price
107187	ProGuard 10/15/16/20 1½" Tool Kit	\$ [REDACTED]

Each kit contains:

101338	56" Two-Piece, Two-Bend Aluminum Wand
107199	Squeegee Tool
100623	Nylon Brush Floor Tool
100107PT	Crevice Tool
100110	Dust Brush



ProGuard 4 Portable Wet/Dry Tool Kit

Part No.	Description	List Price
107184	ProGuard 4 Tool Kit	\$ [REDACTED]

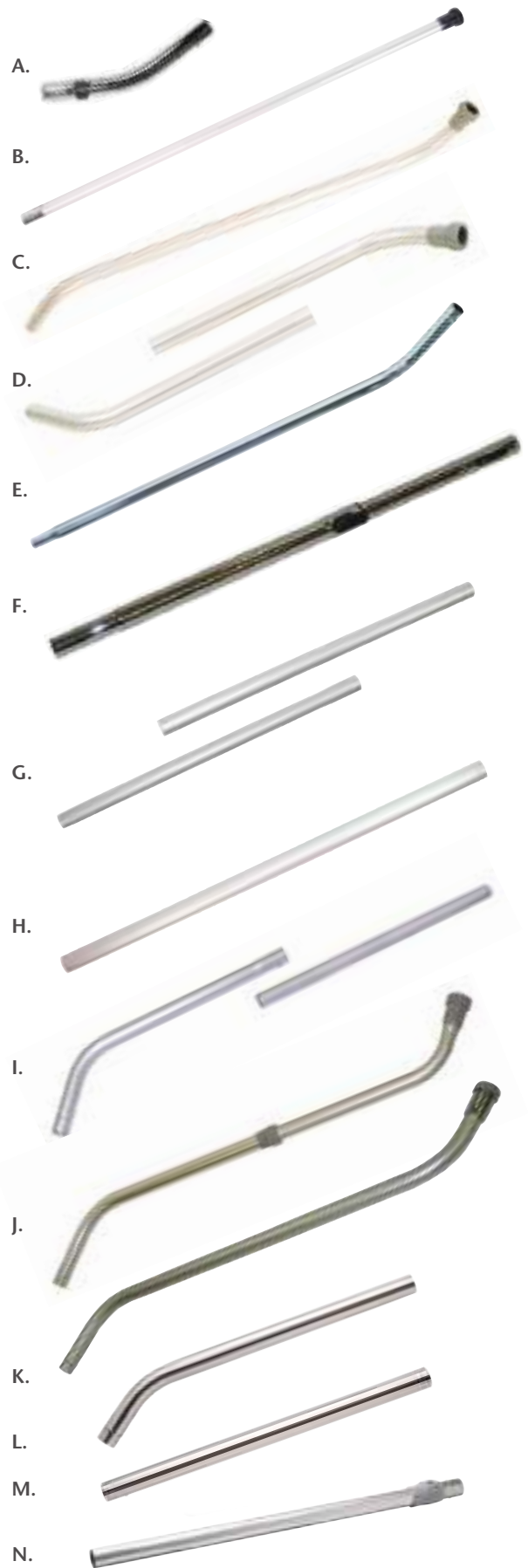
Each kit contains:

107188	Ext. Handle Curved
107190	Ext. Handle Straight
107189	Master Floor Tool
107191	Carpet Insert
107192	Floor Brush Insert
107193	Squeegee Insert
107194	Crevice Tool
107195	Dust Brush
107196	Claw Nozzle



Wands




	No.	Product Name	Size	List Price
A.	103505	13" Curved Chrome Wand w/Button Lock	1 1/4"	██████
	100167	13" Curved Chrome Wand (Not Shown)	1 1/4"	██████
B.	100104	60" Straight Extension* Aluminum Wand	1 1/2"	██████
C.	100102	56" One-Piece, Two-Bend Aluminum Wand*	1 1/2"	██████
D.	101338	56" Two-Piece, Two-Bend Aluminum Wand w/Button Lock*	1 1/2"	██████
E.	100136	54" One-Bend Chrome Tapered Wand for 1 1/4" Turbo Brush (100117)	1 1/2" - 1 1/4"	██████
F.	106343	24" to 40" Chrome Telescoping Wand w/Button Lock	1 1/4"	██████
G.	105693	59" Two-Piece Friction Fit Aluminum Sidewinder Straight Wand	1 1/2"	██████
H.	105695	59" One-Piece Friction Fit Aluminum Sidewinder Straight Wand	1 1/2"	██████
I.	102266	54" Two-Piece Friction Fit One Bend Aluminum Wand with Button Lock	1 1/2"	██████
J.	106290	42" to 59" Aluminum Telescoping Wand*	1 1/2"	██████
K.	106293	49" One-Piece, Two-Bend Aluminum Wand w/Aluminum Coupling	1 1/2"	██████
L.	107188	Ext. Handle Curved (ProGuard 4)	1 1/2"	██████
M.	107190	Ext. Handle Straight (ProGuard 4)	1 1/2"	██████
N.	107529	Telescoping Straight Friction Fit Wand	1 1/2"	██████











NEW

*Wands come complete with tool couplings

Multi-Surface Floor Tools

Part No.	Product Name	Wand Diameter	Length	List Price	Photo
107016	Xover® Floor Tool Ideal use: commercial, medium pile carpet and durable flooring. Improved suction performance and design for ease of use.	1½"	14"	\$ [REDACTED]	
107015	Xover® Performance Floor Tool Ideal use: commercial, medium pile carpet and durable flooring. Provides better performance of soil removal due to the agitation of the carpet. The Super CoachVac with Xover Performance Tool reaches Gold Seal of Approval Rating with the Carpet and Rug Institute.	1½"	14"	\$ [REDACTED]	
106709	Multi-Surface Floor Tool Ideal use: low pile carpet and hard surfaces. Lever on top of tool lowers brush and duster strip hard surfaces. Use with friction fit wand 106343 or 100136.	1¼"	10"	\$ [REDACTED]	

Carpet Floor Tools

Part No.	Product Name	Wand Diameter	Length	List Price	Photo
100117	Turbo Brush Ideal use: medium to high pile carpeting. Only use with friction fit and wand 106343 or 100136.	1¼"	11"	\$ [REDACTED]	
103085	Floor Tool w/ Scallops Ideal use: low to medium pile carpeting. Only use with friction fit wand 106343 or 100136.	1¼"	12"	\$ [REDACTED]	
100730	Paddle Tool Ideal use: hard to reach areas on airplanes, under seats, desks, pews, stadium seats, etc.	1½"	12"	\$ [REDACTED]	
103608	Turbo Brush Ideal use: medium to high pile carpeting. Only with friction fit wand 102266.	1½"	11"	\$ [REDACTED]	
100083	Floor Tool w/ Adjustable Nylon Brush Ideal use: medium pile and Berber carpet.	1½"	11"	\$ [REDACTED]	
100147	Floor Tool w/ Scallops Ideal use: low to medium pile carpeting.	1½"	14"	\$ [REDACTED]	
103032	JetSweep 15 Carpet Tool Larger neck opening for larger debris. Only with friction fit wand 102266.	1½"	15"	\$ [REDACTED]	
106245	15" Sidewinder® Carpet Tool Ideal use: along baseboards and crevices on low pile carpet. Only use with wand 105693 or 105695.	1½"	15"	\$ [REDACTED]	
105691	18" Sidewinder® Carpet Tool Ideal use: along baseboards and crevices on low pile carpet. Only use with wand 105693 or 105695.	1½"	18"	\$ [REDACTED]	
100092PT	Floor Tool w/ Adjustable Nylon Brush Ideal use: medium pile and Berber carpet. Efficient for larger areas.	1½"	16"	\$ [REDACTED]	
100155	Gulper Aluminum Floor Tool Ideal use: low pile and hard surfaces. Best for large debris.	1½"	12"	\$ [REDACTED]	
836357	Turbo Brush Ideal use: medium to high pile carpeting and walk off mats.	1½"	11"	\$ [REDACTED]	
NEW 107527	ProBlade Carpet Floor Tool Ideal use: low to medium pile carpeting, along baseboards and crevices. Use only with wand 107529.	1½"	14"	\$ [REDACTED]	

Hard Surface Floor Tools

Part No.	Product Name	Wand Diameter	Length	List Price	Photo
103084	Natural Fiber Hard Floor Tool Ideal use: tile, marble, vinyl, linoleum, wood. Best for floors without a high gloss finish. Only use with friction fit wand 106343 or 100136.	1¼"	12"		
100144	Hard Floor Tool w/Scalloped Felt Brush Ideal use: floors with delicate or high polished finishes. Also for use on polyethylene barrier/visqueen when cleaning the plastic hung in work areas adhering to the EPA's RRP guidelines.	1½"	14"		
100623	Hard Floor Tool w/Nylon Brush Ideal use: tile, marble, vinyl, linoleum, wood. Best for floors without a high gloss finish. Also used with ProGuard Wet/Dry Vacuums 10/15/16/20.	1½"	14"		
100614	Hard Floor Tool w/Horse Hair Brush Ideal use: with floors with high gloss finish.	1½"	14"		
106194	Hard Floor Tool w/Felt Brush – Scalloped & Flat Ideal use: hardwood floors.	1½"	14"		
106793	8" Sidewinder Hard Floor Tool w/ Horse Hair Brush Ideal use: hard to reach areas, walls, ceilings, corners, baseboards, vents, fans and moldings. Use only with wand 105693 or 105695.	1½"	8"		
106246	15" Sidewinder Hard Floor Tool w/ Nylon Brush Ideal use: hard to reach areas, walls, ceilings, corners, baseboards, vents, fans and moldings. Use only with wand 105693 or 105695.	1½"	15"		
105692	18" Sidewinder Hard Floor Tool w/Nylon Brush Ideal use: hard to reach areas, walls, ceilings, corners, baseboards, vents, fans and moldings. Use only with wand 105693 or 105695.	1½"	18"		
101613	JetSweep 20 Hard Floor Tool w/Nylon Brush Ideal use: dust mop type of applications. Use only with Super CoachVac, Super QuarterVac, MegaVac, ProVac CN and RunningVac.	1½"	20"		
107528	ProBlade Hard Surface Floor Tool Ideal use: hard surface areas, hard to reach areas, walls, ceilings, corners and baseboards. Use only with wand 107529.	1½"	14"		

NEW

Wet/Dry Vacuum Floor Tools

Part No.	Product Name	Wand Diameter	Length	List Price	Photo
107189	Master Floor Tool (ProGuard 4) Ideal use: holds floor inserts for specialized cleaning applications.	1½"	14½"		
107191	Carpet Insert (ProGuard 4 used with 107189) Ideal use: low to medium pile carpeting. Wet pickup nozzle for most carpet cleaning.	1½"	14½"		
107192	Floor Brush Insert (ProGuard 4 used with 107189) Ideal use: tile, marble, vinyl, linoleum. Best for area cleanup on smooth surfaces.	1½"	14½"		
107193	Squeegee Insert (ProGuard 4 used with 107189) Ideal use: used for wet and dry pickup on smooth surfaces.	1½"	14½"		
107199	Squeegee Tool (ProGuard 10/15/16/20) Ideal use: used for wet and dry pickup on smooth surfaces.	1½"	14"		
107185	Front Mount Squeegee (ProGuard 15/20) Ideal use: floor strip recovery, flood restoration applications. The ability to go right up to walls, corners and easier in tight spaces.	1½"	28"		
107186	Front Mount Squeegee Replacement Blade Set (ProGuard 15/20)	1½"	28"		

Note: Additional specialty attachments may be available upon request. Contact Customer Service. All attachments are non-metallic unless otherwise noted.

Crevice Tools

Part No.	Product Name	Wand Diameter	Length	List Price	Image
104832	Replacement Crevice Tool (ProForce 1500XP)	1¼"		\$	
100107PT	Crevice Tool	1½"	11"		
103086	Crevice Tool	1¼"	13"		
100108	Crevice Tool	1½"	17"		
100109PT	Crevice Tool	1½"	28"		
107194	Crevice Tool (ProGuard LI 3 and ProGuard 4)	1½"	10½"		
834694	Crevice Tool (ProGen)	1½"	8"		

Dust Brushes

Part No.	Product Name	Wand Diameter	Length	List Price	Image
103089	Rectangular 90/180° Swivel	1¼"	2½"	\$	
100110	Dust Brush w/Reducer	1½"	3"		
102659	Long Dust Brush	1¼"	5"		
104833	Combo Upholstery/Dust	1¼"			
107195	Dust Brush (ProGuard LI 3 and ProGuard 4)	1½"			

Upholstery Tools

Part No.	Product Name	Wand Diameter	Length	List Price	Image
103087	Upholstery Tool (Includes Removable Brush No.103088)	1¼"	5½"	\$	
100115	Upholstery Tool	1½"	5"		
834695	Upholstery Tool (ProGen)	1½"	5"	1.88	

Bulk Pick-Up Tool

Part No.	Product Name	Wand Diameter	Length	List Price	Image
100150	One-Bend Bulk Pick-Up Tool	1½"	36"	\$	

Pipe Cleaner Tools

Part No.	Product Name	Wand Diameter	Length	List Price	Image
100113	1" to 4" Overhead Pipe Cleaner (includes Reducer Cuff)	1½"	4"	\$	
100114	4" to 8" Overhead Pipe Cleaner (includes Reducer Cuff)	1½"	8"		

Miscellaneous Tool

Part No.	Product Name	Wand Diameter	Length	List Price	Image
106993	Blower Tool	1½"	2¼"	\$	
107196	Claw Nozzle (ProGuard LI 3 and ProGuard 4)	1½"	4½"		

Intercept Micro Filters

Thicker, won't shred, treated with antimicrobial organic agent. Double-pleated design gives 21% more filtration area.

Case = 20 packs unless otherwise stated below

Pack = 10 filters unless otherwise stated below

No.	Product Name	List Price*
107313	Intercept Micro Filters, fits Super Coach Pro 10	
107314	Intercept Micro Filters, fits Super Coach Pro 6, GoFree Flex Pro, ProVac FS 6 (Open Collar)	
107374	Intercept Micro Filters, fits Super Coach Pro 6, GoFree Flex Pro, ProVac FS 6 (Closed Collar)	
100431	Intercept Micro Filters, fits Super QuarterVac HEPA, QuarterVac, TailVac, QuietPro BP HEPA, GoCartVac, AviationVac	
106995	Intercept Micro Filters, fits Super QuarterVac HEPA, QuarterVac, TailVac, QuietPro BP HEPA, GoCartVac, AviationVac (Closed Collar)	
100331	Intercept Micro Filters, fits Super CoachVac HEPA, CoachVac, MegaVac (Open Collar)	
100291	Intercept Micro Filters, fits LineVac, Super CoachVac HEPA, CoachVac, MegaVac (Closed Collar)	
104544	Intercept Micro Filters, fits QuietPro CN HEPA, RunningVac, ProVac CN	
107377	Intercept Micro Filters, fits ProGen (Case = 15 packs)	
103483	Intercept Micro Filters, fits ProForce	
106960	Intercept Micro Filters, fits Super HalfVac Pro (Open Collar)	
106973	Intercept Micro Filters, fits Super HalfVac Pro (Closed Collar)	
107182	Intercept Micro Filters, One Pack of 3 fits ProGuard 4 (Case = 6 packs)	
107181	Intercept Micro Filters, One Pack of 3 fits ProGuard 10 (Case = 6 packs)	
107180	Intercept Micro Filters, One Pack of 3 fits ProGuard 15/20 (Case = 6 packs)	

* Price is for one pack of 10 filters except ProGuard Filters which are a pack of 3



HEPA Filters

No.	Product Name	List Price
A. 104274PT	True HEPA Filter Assembly Complete w/Bottom Cap for LineVac (Black)	
B. 104275	True ULPA Filter Assembly Complete w/Bottom Cap for LineVac (Black)	
C. 106526	HEPA Dome Filter (Fits Backpacks except TV, SCP, GFFP, and PV FS 6)	
D. 103638	HEPA Filter Assembly w/Electrical Connector for QuietPro CN HEPA	
E. 107005	HEPA Replacement Cartridge for Super HalfVac Pro, ProForce HEPA and ProGen (sold individually)	
F. 107315	Super Coach Pro 10, Super Coach Pro 6, GoFree Flex Pro, ProVac FS 6 HEPA Filter (2 pack)	
G. 105136	HEPA Media Exhaust Filter (ProForce)	



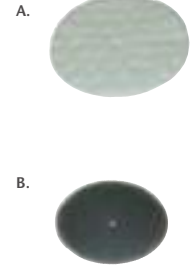
Micro Cloth Filters

No.	Product Name	List Price
834000	Micro Cloth Filter for Super Coach Pro 10	
834072	Micro Cloth Filter for Super Coach Pro 6, GoFree Flex Pro, ProVac FS 6	
100564	Micro Cloth Filter for TailVac, Super QuarterVac HEPA, QuarterVac, ProVac BP, QuietPro BP HEPA, GoCartVac, AviationVac	
100565	Micro Cloth Filter for CoachVac, Super CoachVac HEPA, MegaVac, LineVac	
103115	Micro Cloth Filter for QuietPro CN HEPA, RunningVac, ProVac CN	
107040	Micro Cloth Filter for Super HalfVac Pro	



Dome / Foam Filters

No.	Product Name	List Price
A. 101220	High Filtration Discs for Dome Filter, One Pack of Two; Super QuarterVac HEPA, QuarterVac, CoachVac, Super CoachVac HEPA, MegaVac, ProVac BP, GoCartVac, AviationVac	\$ [REDACTED]
102761	High Filtration Discs for Dome Filter, One Pack of Two; TailVac, RunningVac, QuietPro CN, ProVac CN	[REDACTED]
B. 510184	Foam Filter Media for Dome Filter; Super Coach Pro 10, Super Coach Pro 6, GoFree Flex Pro, ProVac FS 6	[REDACTED]
100343	Foam Filter Media for Dome Filter; Super QuarterVac HEPA, QuarterVac, CoachVac, Super CoachVac HEPA, MegaVac, LineVacer, ProVac BP, AviationVac	[REDACTED]
107060	Foam Filter Media for Dome Filter; Super HalfVac Pro	[REDACTED]
101949	Foam Filter Media for Dome Filter; TailVac, QuietPro CN HEPA, RunningVac, ProVac CN	[REDACTED]



Sound Muffler and Exhaust Filters

No.	Product Name	List Price
A. 100698	Sound Muffler for QuarterVac	\$ [REDACTED]
105800	Sound Muffler for Super QuarterVac HEPA, AviationVac, ProVac BP	[REDACTED]
100597	Sound Muffler for Super CoachVac HEPA, CoachVac, MegaVac	[REDACTED]
B. 103123	Exhaust/Sound Filter for RunningVac, ProVac CN	[REDACTED]
106928	Exhaust Muffler for GoCartVac (not shown)	[REDACTED]
C. 104281	Motor Intake Filter (ProForce)	[REDACTED]
D. 834721	Motor Intake Filter (ProGen)	[REDACTED]



ProGuard Wet / Dry Specialty Filters

No.	Product Name	Filter Media	List Price
A. 107177	Qwik Lock™ Wet Filter, fits ProGuard 10/15/16/20	Polypropylene Screen	\$ [REDACTED]
B. 107178	Qwik Lock Fine Dust Cartridge Filter, fits ProGuard LI 3/4	903 sq. in.	[REDACTED]
C. 107175	Qwik Lock Fine Dust Cartridge Filter, fits ProGuard 10/15/16/20	1276 sq. in.	[REDACTED]
D. 107176	Qwik Lock HEPA Media Filter, fits ProGuard 10/15/16/20	1276 sq. in.	[REDACTED]



Point-of-Purchase Items****

No.	Product Name	List Price
A. 104029	Vac Display Mannequin Custom powder-coated metal backpack display. Holds one vacuum	\$ [REDACTED]
B. 100180	Demo Duffel Bag Durable product demo duffel bag holds vacuum and complete demo kit	[REDACTED]
C. 100719	Logo Banner Attractive 4' x 6' vinyl ProTeam logo banner w/metal grommets for easy display	[REDACTED]
D. 104160	Floor Mat Eye catching ProTeam logo mat designed to withstand years of use	[REDACTED]



****Discounts do not apply to Point of Purchase items.

The ProTeam Vac Station

The Vac Station helps operators of any height easily slip on and off any ProTeam backpack vacuum. The ProTeam Vac Station measures 22" long, 8.5" high, and 14" deep.

No.	Product Name	List Price
102947	Vac Station (includes mounting hardware)	████████
103071	Mounting Hardware Complete	████████
106033	Wall Bracket and Screws	████████



A sturdy steel wall bracket is mounted to the wall with three screws. The Vac Station attaches to the bracket and allows for 20" of travel. Crevice tools and floor tools slide into holes behind the vacuum. Extension cords hang from the side.

ProDuster® and Sleeves

ProDuster sleeves fit over most wand dusters and generate their own dust-attracting properties that collect and hold dust and dirt particles. The sleeves are safe for any surface as they contain no oils or waxes and won't streak or leave any residue. ProDuster sleeves will prolong the life of your wool duster, making them much more economical to replace than the entire duster. Ask for a FREE sample pack with your next order!

No.	Product Name	List Price
101533	500 Sleeves (10 packs of 50)	████████
101532	50 Sleeves (1 pack of 50)	████████



* Wool duster not included

Miscellaneous

No.	Product Name	List Price
A. 106346	Waist Belt Extension (18") Nifco	████████
B. 106345	Waist Belt Extension (10") Nifco	████████
107084	Waist Belt Extension for Super HalfVac and TailVac (Not Shown)	████████
C. 102604	Cord Holder	████████
D. 101394	Ergonomic Wand Handles, Set	████████
E. 101678	50' 16-Gauge Extension Cord (Yellow)*	████████
101611	Velcro Cord Strap	████████
F. 103441	Cord Lock (ProVac CN, RunningVac)	████████
106261	6' Static Strap Kit (ProForce) (Not Shown)	████████
833432	50' 14-Gauge Extension Cord w/Twist Lock Plug (Yellow) (Not Shown)	████████



*Includes Cord Wrap

Educational Materials

Videos

All ProTeam videos can be viewed on ProTeam's website www.pro-team.com in the video library or on ProTeam's Vacuum Channel on YouTube.

ManageMen® Team Cleaning® Programs

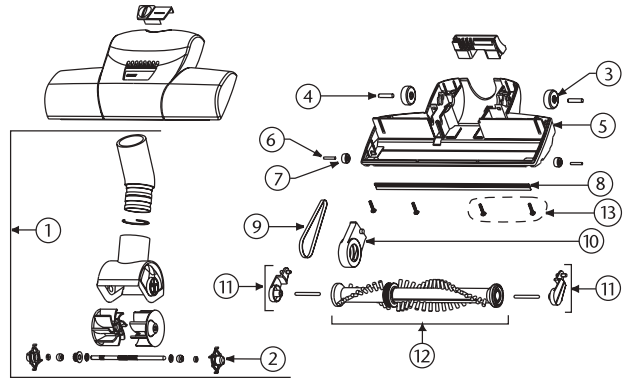
On-site training program with video* and printed support materials.

No.	Product Name	List Price
100630	Updated How to Coach a Successful Team – Audio CD, Playbook, ISSA's 612 Cleaning Times, Wooden's Pyramid of Success & a Janitor University Philosophy of Cleaning Poster	████████
101122	How to Be a Light-Duty Specialist™ – Audio CD, Menu Driven DVD that also contains Spanish, Light-Duty Playbook & 1 Scouting Report	████████
100628	Updated How to Be a Vacuum Specialist™ – Audio CD, Menu Driven DVD that also contains Spanish, Vacuum Playbook, 1 Scouting Report, and 1 Simplified Simon Vacuum Brochure	████████
100629	How to Be a Restroom Specialist™ – Audio CD, Menu Driven DVD that also contains Spanish, Restroom Playbook & 1 Scouting Report	████████
104152	How to Be a Utility Specialist™ in Carpet Care – Audio CD, Menu Driven DVD that also contains Spanish, Playbook & 3 Scouting Reports	████████

*Discounts do not apply to Educational Videos

Turbo Brush Replacement Parts

No.	Product Name	List Price
1	104011 1¼" Neck Assembly Complete	██████████
	104012 1½" Neck Assembly Complete	██████████
2	103974 Bushing w/Holder	██████████
3	104017 Back Wheel, Set of 2	██████████
4	104016 Rear Axle, Set of 2	██████████
5	104021 Bottom Cover	██████████
6	104018 Front Axle, Set of 2	██████████
7	104019 Front Wheel, Set of 2	██████████
8	104022 Squeegee	██████████
9	104020 Belt	██████████
10	104023 Belt Guard	██████████
11	103975 Brush Arm, Set of 2	██████████
12	104024 Brush Roller Assembly	██████████
13	106525 Screws, Set of 2	██████████

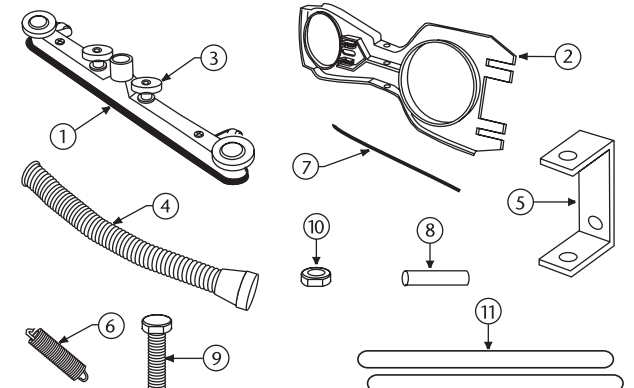


Attachment Replacement Parts

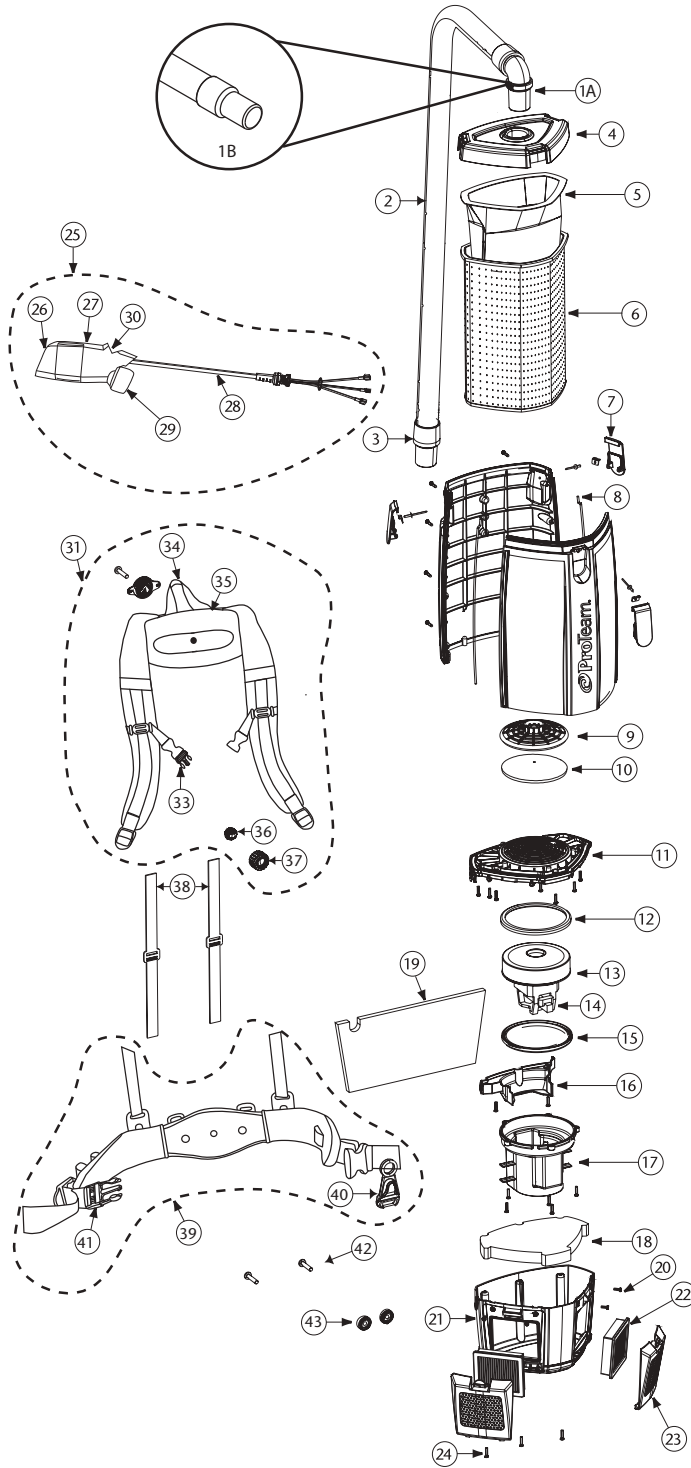
No.	Product Name	List Price
100084	Replacement Brush – 11" Floor Tool (100083)	\$ ██████████
100093	Replacement Brush – 16" Floor Tool (100092PT)	██████████
100099	Replacement Nut – Aluminum Wands (100102, 100104, 101338, 106290)	██████████
100100	Replacement Ring – Aluminum Wands (100102, 100104, 101338, 106290, 106293)	██████████
100101	Replacement Sleeve – Aluminum Wands (100102, 100104, 101338, 106290)	██████████
100112	Reducer Cuff 1¼" to 1½"	██████████
100116	Replacement Nylon Brush – 5" Upholstery Tool (100115)	██████████
100137	Replacement Nut – Aluminum Wand (106293)	██████████
100141	Replacement Bumper – 14" Floor Tool (100147)	██████████
100145	Replacement Felt – 14" Floor Tool – Straight (106194)	██████████
100146	Replacement Felt, Scalloped – 14" Floor Tool (100144 & 106194)	██████████
100598	Squeegee Blades for 107199 Tool	██████████
100713	Replacement Nylon Brush – 14" Floor Tool (100623)	██████████
100714	Replacement Horse Hair Brush w/Brush, Washer and Screw – 14" Floor Tool (100614)	██████████
101092	Reducer Cuff 1½" x 1¼" For Hose	██████████
101155	Replacement Nylon Brush – E-Z Glide 14" Floor Tool (101446)	██████████
101445	Retro Kit – 14" E-Z Glide Floor Tool (fits 101446 Floor Tool & 100147) (purple bumper, brush & screws)	██████████
101473	Repair Clip with Screws – 14" Hard Floor Tool w/Nylon Brush (100623)	██████████
101475	Repair Kit – Felt Floor Tools: Support Bars and Screws	██████████
101615	Replacement Blue Bumper for Jet Sweep 20 (101613)	██████████
101880	Replacement Nylon Brush – JetSweep 20, 20" Hard Floor Tool, Set of Two (101613)	██████████
103088	Removable Brush – 5½" Upholstery Tool (103087)	██████████
103099	Cuff Adapter 1¼" x 1¼"	██████████
106064	Replacement Brush – 12" Floor Tool (103084)	██████████
106961	Replacement Sleeve w/Rivets – Aluminum Wand (106293)	██████████
107020	Replacement Hose – Sidewinder Floor Tool	██████████
107076	Shoe Kit (Xover Performance Floor Tool)	██████████
107077	Brush Strip (Xover Floor Tool)	██████████
107078	Shoe Kit (Xover Floor Tool)	██████████
107125	Button Lock Repair Kit Telescoping Wand (106343)	██████████
450017	Adjusting Nut for Telescoping Wand (106290)	██████████

ProGuard Front Mount Squeegee Replacement Parts

No.	Product Name	List Price
1	833532 Squeegee Assembly	██████████
2	833523 Squeegee Pivot Plate Assembly	██████████
3	833542 Oval Hand Knob	██████████
4	833442-1 Hose Assembly	██████████
5	833528 Squeegee Mounting Bracket	██████████
6	833529 Spring	██████████
7	830536-1 Wire Tie	██████████
8	833530 Rod	██████████
9	832397-2 3/8" Bolt	██████████
10	161255-2 3/8" Lock Nut	██████████
11	107186 Replacement Blades (set of 2)	██████████



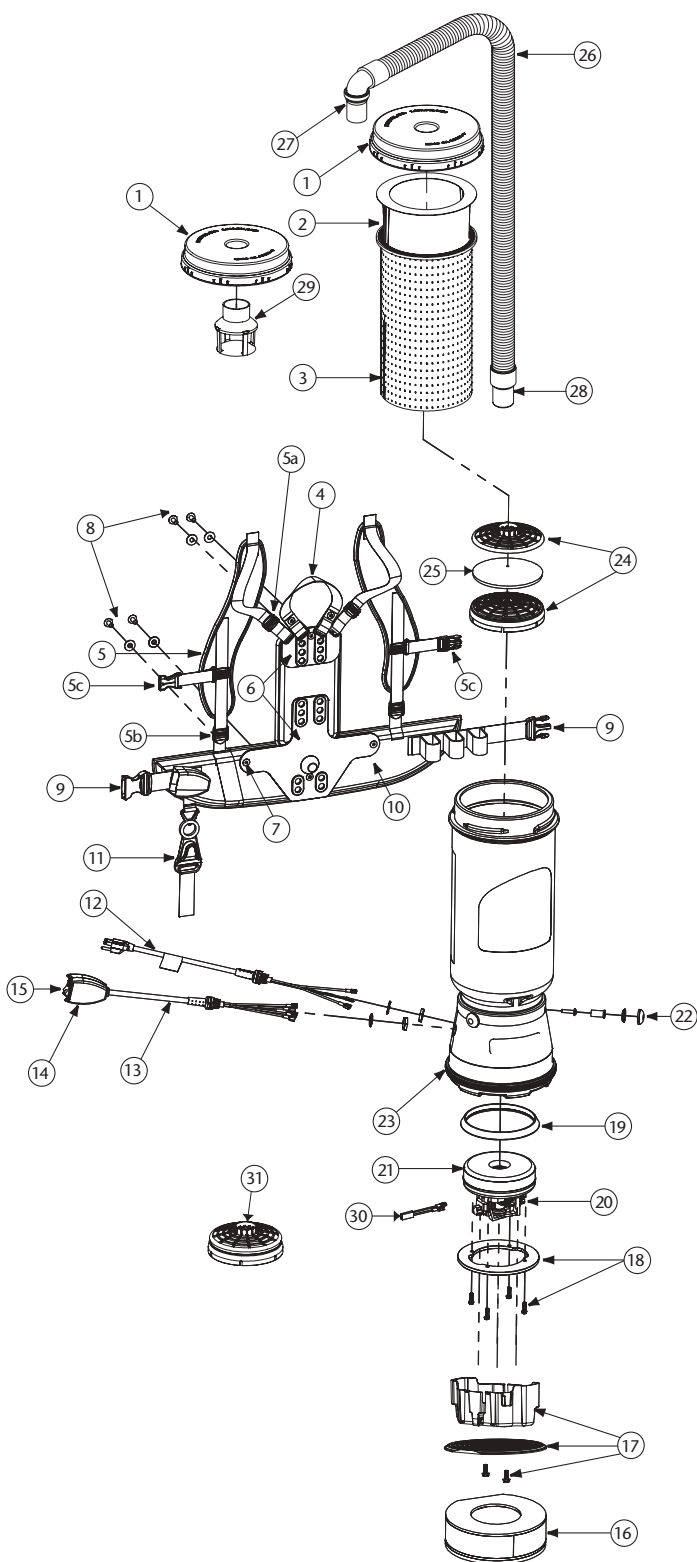
SUPER COACH PRO 6 & 10/PROVAC FS 6 PARTS



No.	Product Name	Qty	List Price
1A	101928 Replacement Double Swivel Elbow Cuff	1 ea.	\$ [REDACTED]
1B	100694 Replacement Double Swivel Straight Cuff (PV FS)	1 ea.	[REDACTED]
2	103048 Static-Dissipating Hose w/Cuffs	1 ea.	[REDACTED]
	100505 Static-Dissipating Hose w/Straight Cuffs (PV FS)	1 ea.	[REDACTED]
3	100694 Replacement Swivel Cuff 1 1/2"	1 ea.	[REDACTED]
4	833948 Purple Cap	1 ea.	[REDACTED]
	833948-1 Black Cap (PV FS)	1 ea.	[REDACTED]
5	107313 Intercept Micro Filter (SCP 10)	10/pk	[REDACTED]
	107314 Intercept Micro Filter (SCP 6 & PV FS)	10/pk	[REDACTED]
6	834000 Micro Cloth Filter (SCP 10)	1 ea.	[REDACTED]
	834072 Micro Cloth Filter (SCP 6 & PV FS)	1 ea.	[REDACTED]
7	510179 Latch and Retainer w/Lock Nut & Screw	1 set	[REDACTED]
8	510180 Gasket for Tank (SCP 10)	2 ea.	[REDACTED]
	510181 Gasket for Tank (SCP 6 & PV FS)	2 ea.	[REDACTED]
9	510183 Dome Filter w/Foam Media (includes: 10)	1 set	[REDACTED]
10	510184 Foam Filter Media for Dome Filter	1 ea.	[REDACTED]
11	510193 Upper Motor Support w/Gasket	1 set	[REDACTED]
12	833951 Upper Motor Gasket	1 ea.	[REDACTED]
13	834036 Motor/Fan (120 V)	1 ea.	[REDACTED]
14	101720 Carbon Brush Set	1 set	[REDACTED]
15	833952 Lower Motor Gasket	1 ea.	[REDACTED]
16	510185 Cover Wire w/ 2 screws	1 set	[REDACTED]
17	510194 Lower Motor Support (5 screws)	1 set	[REDACTED]
18	834042 Triangular Lower Foam Pad	1 ea.	[REDACTED]
19	834043 Rectangular Upper Foam Pad	1 ea.	[REDACTED]
20	808380-0 Screw Pan CR #8 x 1/2"	1 ea.	[REDACTED]
21	510188 Housing Assembly Lower w/Screws	1 set	[REDACTED]
22	107315 HEPA Filter (2 pack)	1 set	[REDACTED]
23	833954 Exhaust Filter Door	1 ea.	[REDACTED]
24	808380-22 Screw Pan CR #8 x 3/4"	1 ea.	[REDACTED]
25	836225-1 Switch Cord and Power Cord Assembly (includes: 26-30) (PV FS 6 only)	1 set	*
	836225 Switch Box, Full Assembly (without power cord)	1 set	*
26	106066 On/Off Switch	1 ea.	[REDACTED]
27	836554-1 Switch Box (PV FS 6 only)	1 set	*
	836554 Switch Box (without power cord)	1 set	*
28	836480 Power Cord Assembly	1 set	*
29	836479 Power Plug Assembly	1 set	*
30	836478 Electrified Hose Receptacle (PV FS 6 only)	1 ea.	*
31	840112 Upper Harness Assembly (includes: 33-37)	1 set	[REDACTED]
32	840011 Harness Assembly Complete (includes: 31, 38, 39)	1 set	[REDACTED]
33	510191 Sternum Strap Buckle (latch and keeper)	1 set	[REDACTED]
34	101737 Carry Handle w/Rivet Set	1 set	[REDACTED]
35	834049 Upper Pad Harness (includes: 38)	1 set	[REDACTED]
36	834050 Pivoting Ball	1 ea.	[REDACTED]
37	834053 Outer Support Retainer	1 ea.	[REDACTED]
38	510192 Tensioning Straps	1 set	[REDACTED]
39	840114 Lower Harness Assembly (includes: 40, 41)	1 set	[REDACTED]
40	102604 Cord Holder	1 ea.	[REDACTED]
41	510301 Waist Belt Buckles and Straps Set	1 set	[REDACTED]
42	834051 5/16" - 18x1 - 3/8" Lock Screw (2 screws)	1 set	[REDACTED]
43	510186 Harness Spacers	2 ea.	[REDACTED]
	101678 50' Extension Cord (Not Shown)	1 ea.	[REDACTED]

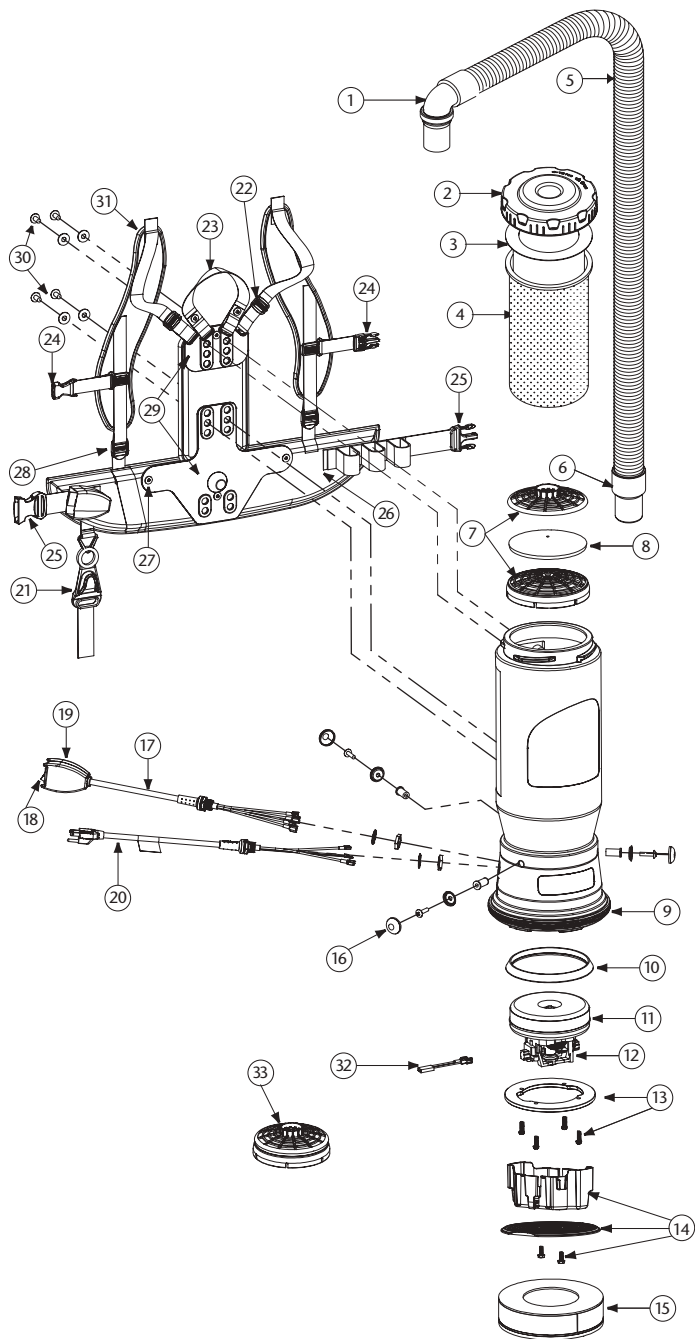
*Contact Customer Service for pricing.

SUPER COACHVAC HEPA PARTS



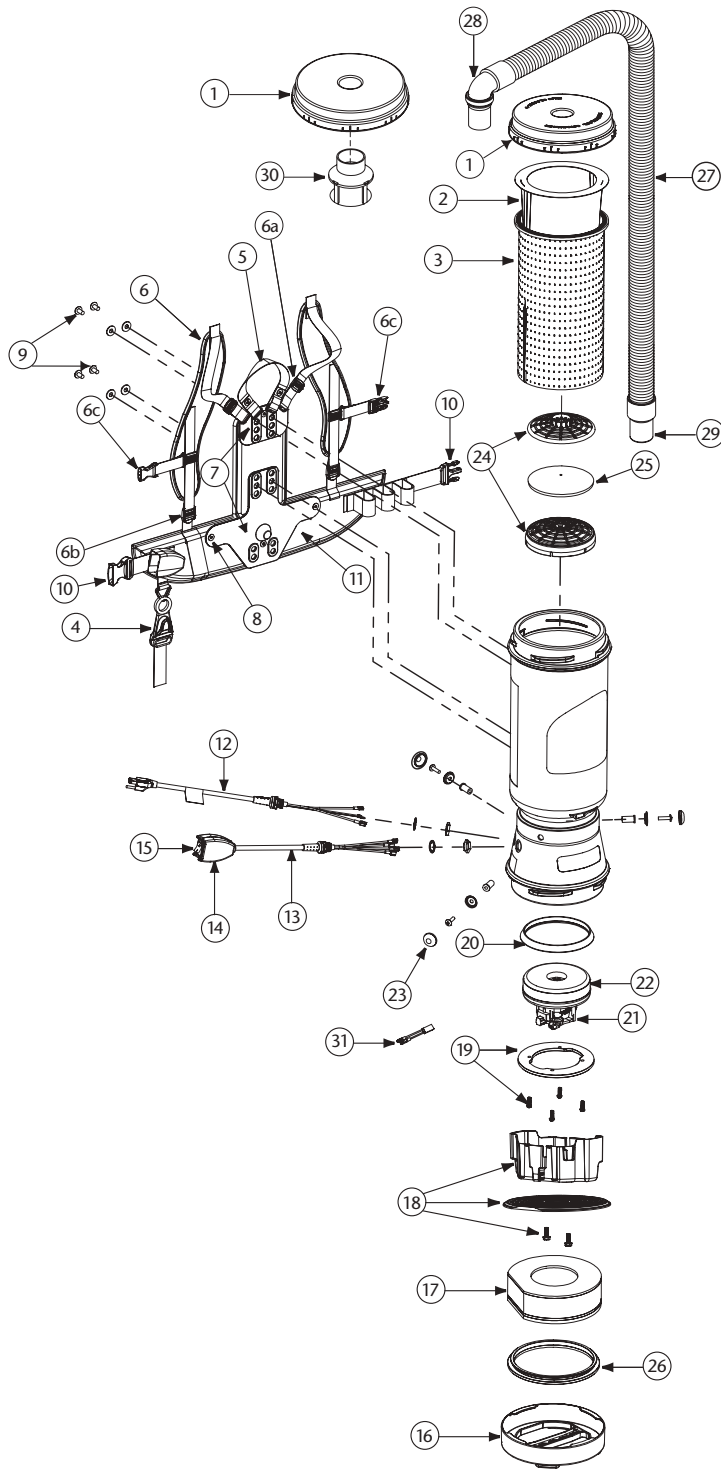
No.	Product Name	Qty	List Price
1	100197 Twist Cap (Purple)	1 ea.	
2	100331 Intercept Micro Filter	10/pk	
3	100565 Micro Cloth Filter	1 ea.	
4	101737 Carry Handle w/Rivet and Washer Set	1 set	
5	100356 Shoulder Strap Assembly (includes: #5a, 5b, 5c)	1 set	
5a	100358 Shoulder Strap Plastic Adjustment Buckle (Top)	1 ea.	
5b	100357 Shoulder Strap Plastic Adjustment Buckle (Bottom)	1 ea.	
5c	103627 Sternum Strap Buckles (Latch and Keeper)	1 set	
6	105046 Backplate (includes: #7)	1 ea.	
7	100375 Barrel Nut Connection Set for Backplate (Replacement)	1 set	
8	100716 Backplate (Black) Connection Set: 4 Screws w/Washers	1 set	
9	106719 Waist Belt Keeper and Latch	1 ea.	
10	100359 Waist Belt (includes: #9)	1 ea.	
	100354 Strap Assembly Complete (includes: #5, 10)	1 set	
	103166 Backplate (Black) System Complete (includes: #4, 5, 6, 8, 10, 11)	1 set	
11	102604 Cord Holder	1 ea.	
12	100641 Power Cord Assembly	1 set	
13	101610 Switch Cord Assembly (includes: #14, 15)	1 set	
	101714 Switch Cord w/Crimps	1 ea.	
14	101472 Switch Box w/Velcro and New Lamb Switch	1 set	
15	106066 On/Off Switch (must use with #106287)	1 ea.	
	106287 Switch Box w/Velcro and Screws	1 ea.	
16	100597 Sound Muffler	1 ea.	
17	105044 Motor Shroud/Diffuser w/Screw Set: 2 Screws	1 set	
18	100335 Motor Compression Ring w/Screws	1 set	
	100378 Compression Ring Screw Set: 4 Screws	1 set	
19	100014 Tetraseal	1 ea.	
20	105164 Carbon Brush Set (Domel Motor)	1 set	
	101720 Carbon Brush Set (Ametek Motor)	1 set	
21	105162 Motor/Fan (120 V) w/Crimps	1 ea.	
	100379 Motor Ground and Wire Clamp Set w/Screws	1 set	
	100380 Motor Crimp Set: 4 Female, 4 Male, Ground Crimp Connector	1 set	
22	100368 Motor Mounting System Set: 3 Well Nuts, 3 Bolts, 3 Washers, 3 Covers	1 set	
23	100586 Bottom Bumper	1 ea.	
24	100030 Dome Filter w/Foam Media	1 ea.	
25	100343 Foam Filter Media for Dome Filter	1 ea.	
	101220 High Filtration Disk (optional)	2/pk	
26	103048 Static-Dissipating Hose w/Cuffs (Black)	1 ea.	
27	101928 Replacement Double Swivel Elbow Cuff (Black)	1 ea.	
28	100694 Replacement Swivel Cuff (Black) 1 1/2"	1 ea.	
29	101543 Filter Guard (Optional)	1 ea.	
30	107294 Thermal Protector	1 ea.	
31	106526 Replacement HEPA Dome Filter	1 ea.	
	101678 50' Extension Cord (Not Shown)	1 ea.	32.60

SUPER QUARTERVAC HEPA PARTS



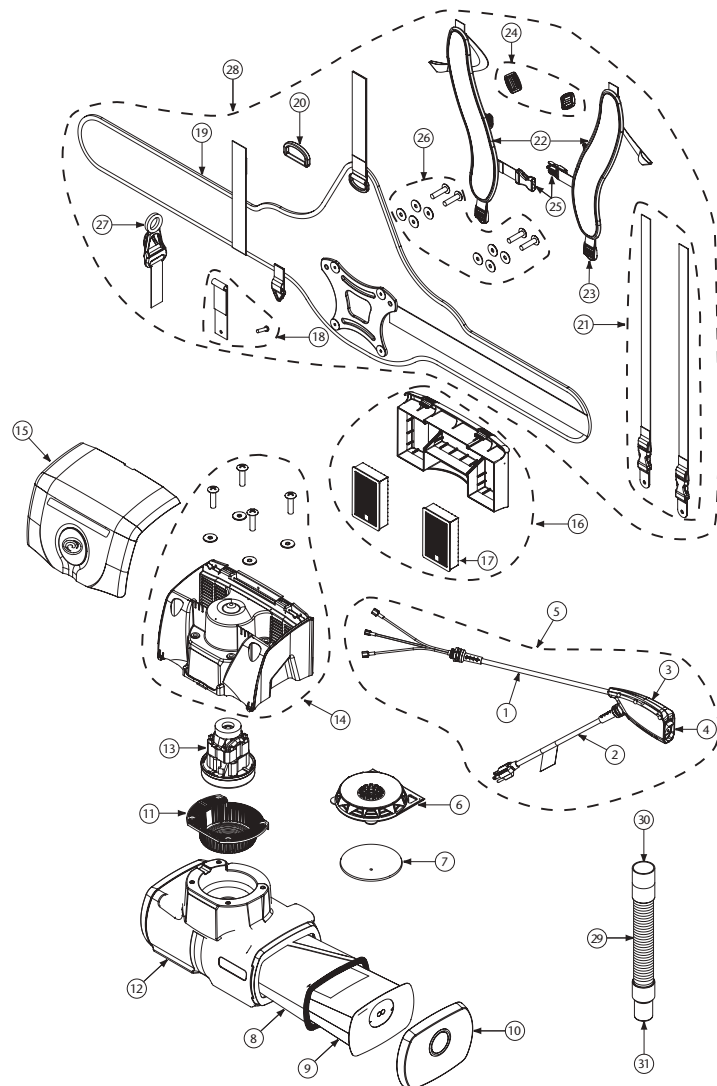
No.	Product Name	Qty	List Price
1	101928 Replacement Double Swivel Elbow Cuff (Black) 1 1/2"	1 ea.	
2	106073 Twist Cap (Purple)	1 ea.	
3	100431 Intercept Micro Filter	10/pk	
4	100564 Micro Cloth Filter	1 ea.	
5	103048 Static-Dissipating Hose (Black) w/Cuffs 1 1/2"	1 ea.	
6	100694 Replacement Swivel Cuff (Black) 1 1/2"	1 ea.	
7	100030 Dome Filter w/Foam Media	1 ea.	
8	100343 Foam Filter Media for Dome Filter	1 ea.	
	101220 High Filtration Disk (optional)	2/pk	
9	100586 Bottom Bumper	1 set	
10	100014 Tetraseal	1 ea.	
11	105162 Motor/Fan (120 V) w/Crimps	1 ea.	
	100379 Motor Ground Wire Clamp Set w/Screws	1 set	
	100380 Motor Crimp Set: 4 Female, 4 Male, Ground Crimp Connector	1 set	
12	105164 Carbon Brush Set (Domel)	1 set	
	101720 Carbon Brush Set (Ametek)	1 set	
13	100335 Motor Compression Ring w/Screws	1 set	
	100378 Compression Ring Screws: 4 Screws	1 set	
14	105044 Motor Shroud/Diffuser w/Screw Set: 2 Screws	1 set	
15	105800 Sound Muffler	1 ea.	
16	100368 Motor Mounting System Set: 3 Well Nuts, 3 Bolts, 3 Washers, 3 Covers	1 set	
17	101714 Switch Cord w/Crimps	1 set	
	101610 Switch Cord Assembly (includes: #17, 18, 19)	1 ea.	
18	106066 On/Off Switch (must use with #106287)	1 ea.	
19	101472 Switch Box w/Velcro and New Lamb Switch	1 set	
	106287 Switch Box w/Velcro and Screws	1 ea.	
20	100641 Power Cord Assembly	1 set	
21	102604 Cord Holder	1 ea.	
22	100358 Shoulder Strap Plastic Adjustment Buckle (Top)	1 ea.	
23	101737 Carry Handle w/Rivet and Washer Set	1 set	
24	103627 Sternum Strap Buckles (Latch and Keeper)	1 set	
25	106719 Waist Belt Keeper and Latch	1 ea.	
26	100359 Waist Belt (includes: #25)	1 ea.	
27	100375 Barrel Nut Connection Set for Backplate (Replacement)	1 set	
28	100357 Shoulder Strap Plastic Adjustment Buckle (Bottom)	1 ea.	
29	105046 Backplate (includes: #27)	1 ea.	
	103166 Backplate System Complete (includes: #21, 23, 26, 29, 30, 31)	1 set	
30	100716 Backplate (Black) Connection Set: 4 Screws w/Washers	1 set	
31	100356 Shoulder Strap Assembly (includes: #22, 24, 28)	1 set	
	100354 Strap Assembly Complete (includes: #26, 31)	1 set	
32	107294 Thermal Protector	1 ea.	
33	106526 Replacement HEPA Dome Filter	1 ea.	
	101678 50' Extension Cord (Not Shown)	1 ea.	

MEGAVAC PARTS



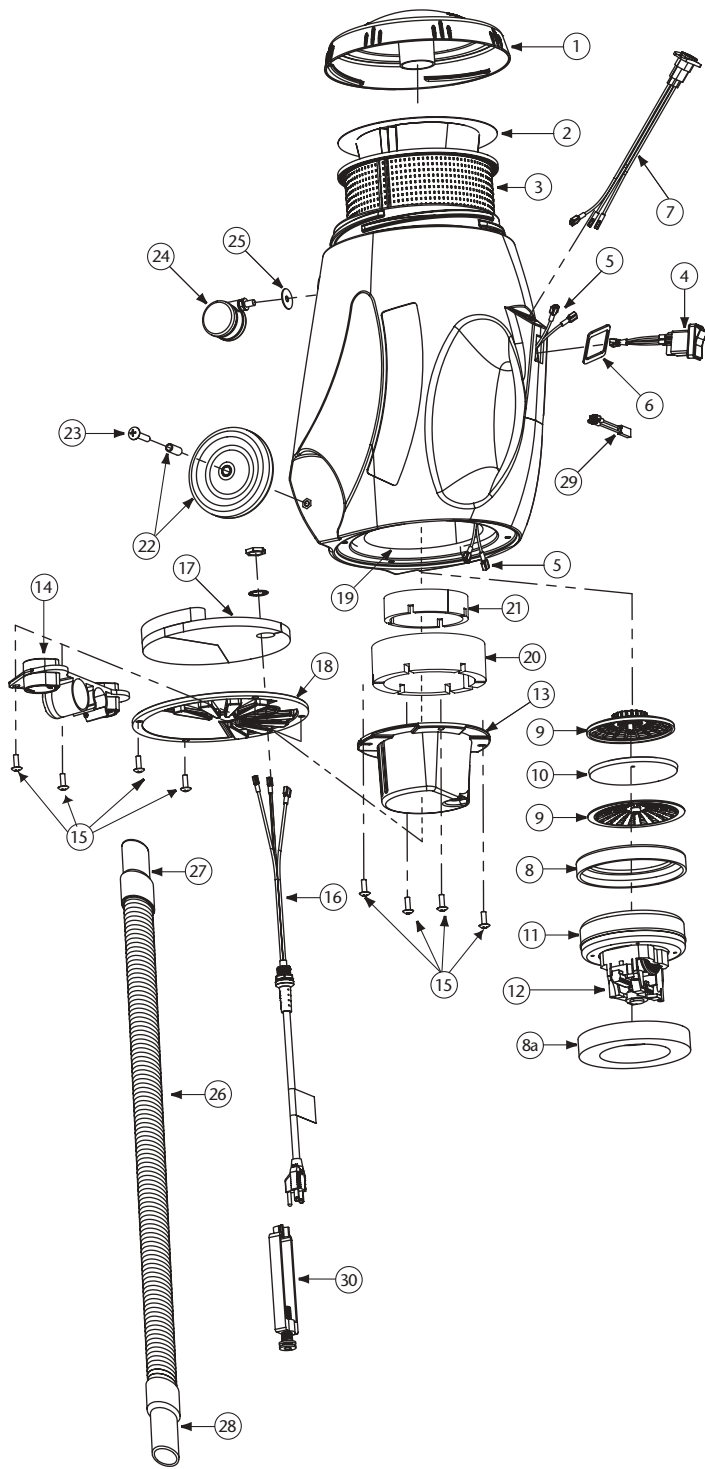
No.	Product Name	Qty	List Price
1	100320 Twist Cap (Black)	1 ea.	
2	100331 Intercept Micro Filter	10/pk	
3	100565 Micro Cloth Filter	1 ea.	
4	102604 Cord Holder	1 ea.	
5	101737 Carry Handle w/Rivet and Washer Set	1 set	
6	100356 Shoulder Strap Assembly (includes: #6a, 6b, 6c)	1 set	
6a	100358 Shoulder Strap Plastic Adjustment Buckle (Top)	1 ea.	
6b	100357 Shoulder Strap Plastic Adj. Buckle (Bottom)	1 ea.	
6c	103627 Sternum Strap Buckles (Latch and Keeper)	1 set	
7	105046 Backplate (includes: #8)	1 ea.	
8	100375 Barrel Nut Connection Set for Backplate (Repl.)	1 set	
9	100374 Backplate Connection Set: 4 Screws w/Washers, Stand Offs	1 set	
10	106719 Waist Belt Keeper and Latch	1 ea.	
11	100359 Waist Belt (includes: #10)	1 ea.	
	100354 Strap Assembly Complete (includes: #6, 11)	1 set	
	103166 Backplate System Complete (inc: #4,5,6,7,9,11)	1 set	
12	100641 Power Cord Assembly	1 set	
13	101610 Switch Cord Assembly (includes: #14, 15)	1 set	
	101714 Switch Cord w/Crimps	1 ea.	
14	101472 Switch Box w/Velcro and New Lamb Switch	1 set	
	106287 Switch Box w/Velcro and Screws	1 ea.	
15	106066 On/Off Switch (must use with #106287)	1 ea.	
16	105070 Bottom Twist Cap (Black)	1 ea.	
17	100597 Sound Muffler	1 ea.	
18	105044 Motor Shroud/Diffuser w/Screw Set: 2 Screws	1 set	
19	100335 Motor Compression Ring w/Screws	1 set	
	100378 Compression Ring Screw Set: 4 Screws	1 set	
20	100014 Tetraseal	1 ea.	
21	105164 Carbon Brush Set for MegaVac (Domel Motor)	1 set	
	101720 Carbon Brush Set for MegaVac (Ametek Motor)	1 set	
22	105162 Motor/Fan (120V) w/Crimps for MegaVac	1 set	
	100379 Motor Ground and Wire Clamp Set w/Screws	1 set	
	100380 Motor Crimp Set: 4 Female, 4 Male, Ground Crimp Connector	1 set	
23	100368 Motor Mounting System Set: 3 Well Nuts, 3 Bolts, 3 Washers, 3 Covers	1 set	
24	100030 Dome Filter w/Foam Media	1 ea.	
25	100343 Foam Filter Media for Dome Filter	1 ea.	
	101220 High Filtration Disk (optional)	2/pk	
26	104998 Bottom Twist Cap Gasket	1 ea.	
27	103048 Static-Dissipating Hose w/Cuffs (Black)	1 ea.	
28	101928 Replacement Double Swivel Elbow Cuff (Black)	1 ea.	
29	100694 Replacement Swivel Cuff (Black) 1 1/2"	1 ea.	
30	101543 Filter Guard (Optional)	1 ea.	
31	107294 Thermal Protector	1 ea.	
	101678 50' Extension Cord (Not Shown)	1 ea.	

SUPER HALFVAC PRO PARTS



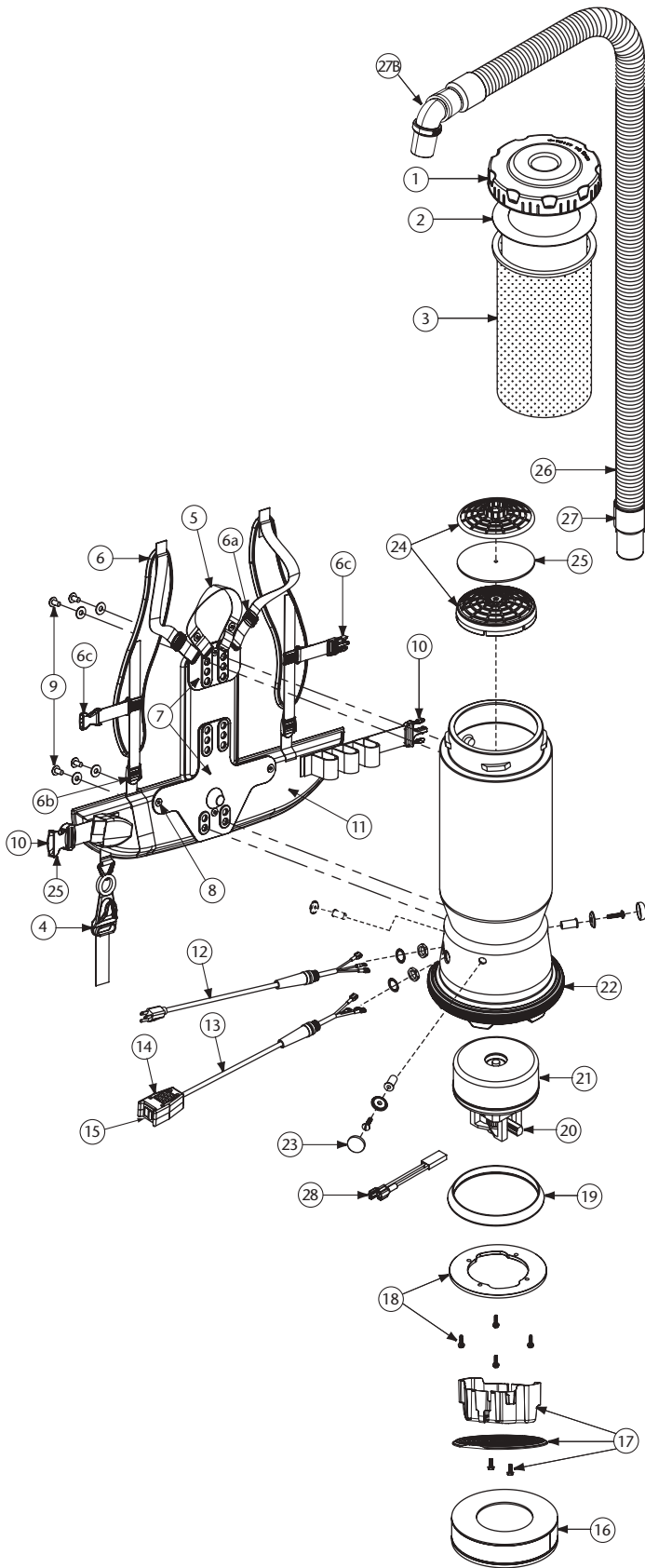
No.	Product Name	Qty	List Price
1	834675 Switch Cord Assembly	1 ea.	██████
2	834676 Power Cord Assembly	1 ea.	██████
3	107043 Switch Box	1 ea.	██████
4	106066 On/Off Switch	1 ea.	██████
5	834674 Switch and Power Cord Assembly (includes: #1 - 4)	1 set	██████
6	107054 Plastic Dome Filter	1 ea.	██████
7	107060 Foam Filter Media	1 ea.	██████
8	107040 Micro Cloth Filter	1 ea.	██████
9	106973 Intercept Micro Filter (closed collar)	10/pk.	██████
	106960 Intercept Micro Filter (open collar)	10/pk.	██████
10	834343 End Cap (purple)	1 ea.	██████
11	834339 Vibration Dampener	1 ea.	██████
12	510212 Bag Housing w/Decals	1 ea.	██████
13	510213 Motor Assembly	1 ea.	██████
14	510227 Upper Housing w/Screws & Washers	1 set	██████
15	510214 Overlap Housing w/Screws	1 set	██████
16	834333 HEPA Filter Housing w/2 HEPA Cartridges (includes: #17)	1 ea.	██████
	107059 HEPA Filter Housing (older style)	1 ea.	██████
17	107005 HEPA Cartridge	1 ea.	██████
18	107048 Stabilization Strap w/Screw	1 ea.	██████
19	107047 Waist Belt w/Plate	1 ea.	██████
20	107051 D-Ring	1 ea.	██████
21	107049 Length Adjustment Strap Kit w/Buckles	1 set	██████
22	100356 Shoulder Strap Assembly (includes: #23 - 26)	1 set	██████
23	100357 Shoulder Strap Plastic Adj. Buckle (Bottom)	1 ea.	██████
24	100358 Shoulder Strap Plastic Adj. Buckle (Top)	1 ea.	██████
25	103627 Sternum Strap Buckles (Latch & Keeper)	1 set	██████
26	107052 Waist Belt Assembly & Upper Housing Screw Kit	1 set	██████
27	102604 Cord Holder	1 ea.	██████
28	107050 Waist Belt, Complete, w/Mounting Hardware (includes: #18 - 27)	1 set	██████
29	101184 Stretch Hose w/Cuffs 1¼" (Black)	1 ea.	██████
	101705 Stretch Hose w/Cuffs 1½" (Black)	1 ea.	██████
30	101437 Replacement Fixed Hose Cuff (Black) 1½" - 1¼"	1 ea.	██████
31	101436 Replacement Swivel Cuff (Black) 1¼"	1 ea.	██████
	107220 Replacement Swivel Cuff (Black) 1½"	1 ea.	██████
	101678 50' Extension Cord (Not Shown)	1 ea.	██████

RUNNINGVAC/PROVAC CN PARTS



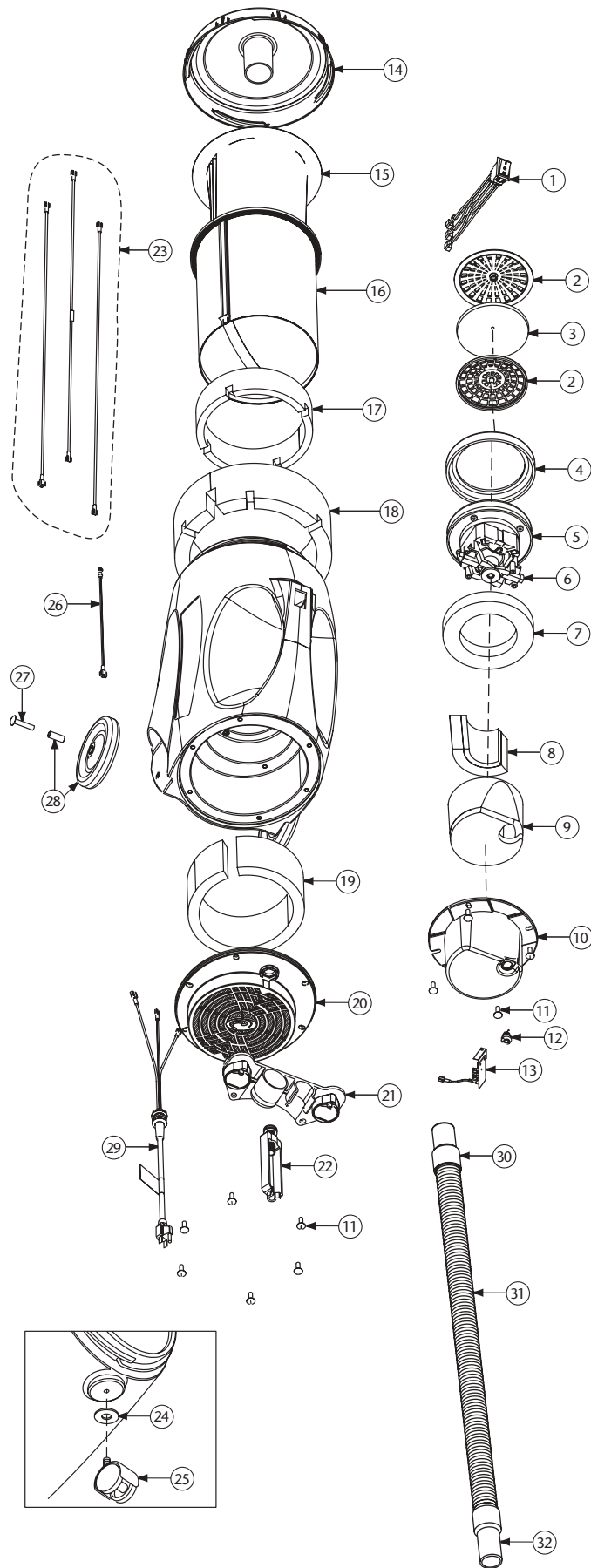
No.	Product Name	Qty	List Price
1	103318 Top Cap, Black (ProVac CN)	1 ea.	
	106889 Top Cap, Purple (RunningVac)	1 ea.	
2	104544 Intercept Micro Filter	10/pk	
3	103115 Micro Cloth Filter	1 ea.	
4	103327 On/Off Switch	1 ea.	
5	103212 Wire Harness Assembly: 3 Wires and Strain Relief	1 set	
6	106110 Gasket	1 ea.	
7	105047 Receptacle Assembly for Powerhead (ProVac CN Only)	1 ea.	
8	103236 Motor Seal	1 ea.	
8a	105430 Upper Foam Compression Ring	1 ea.	
9	102784 Dome Filter w/Filter Media	1 ea.	
10	101949 Replacement Foam Media for Dome Filter	1 ea.	
	102761 High Filtration Disk (Optional)	2/pk	
11	105687 Motor/Fan (120V)	1 ea.	
12	105164 Carbon Brush Set (Domel Motor)	1 set	
	101720 Carbon Brush Set (Ametek Motor)	1 set	
13	103121 Motor Mount	1 ea.	
14	103117 Tool Dock	1 ea.	
15	103266 Motor Mount and Vented Exhaust Cover Screw Kit	1 set	
16	103215 Power Cord Assembly w/Locknut and Washer	1 ea.	
17	103123 Exhaust Foam	1 ea.	
18	103360 Cover Assembly, Vented Exhaust	1 ea.	
19	103256 Rear Foam Diffuser	1 ea.	
20	103124 Foam Inlet Damper A	1 ea.	
21	103125 Foam Inlet Damper B	1 ea.	
22	103267 Rear Wheel Assembly Kit: 2 Wheels, 2 Spacers, 2 Screws	1 set	
23	103268 Rear Wheel Mounting Screw Kit: 2 Screws	1 set	
24	103114 Swivel Caster (Front Wheel)	1 ea.	
25	103545 Conical Washer for Swivel Caster	1 set	
26	103172 78" Static Dissipating Hose w/Cuffs (Black) 1 1/2"	1 set	
27	100694 Replacement Swivel Cuff (Black) 1 1/2"	1 ea.	
28	103150 Replacement Long Swivel Cuff (Black) 1 1/2"	1 ea.	
29	107294 Thermal Protector	1 ea.	
30	103441 Cord Lock	1 ea.	
	101678 50' Extension Cord (Not Shown)	1 ea.	

AVIATIONVAC PARTS



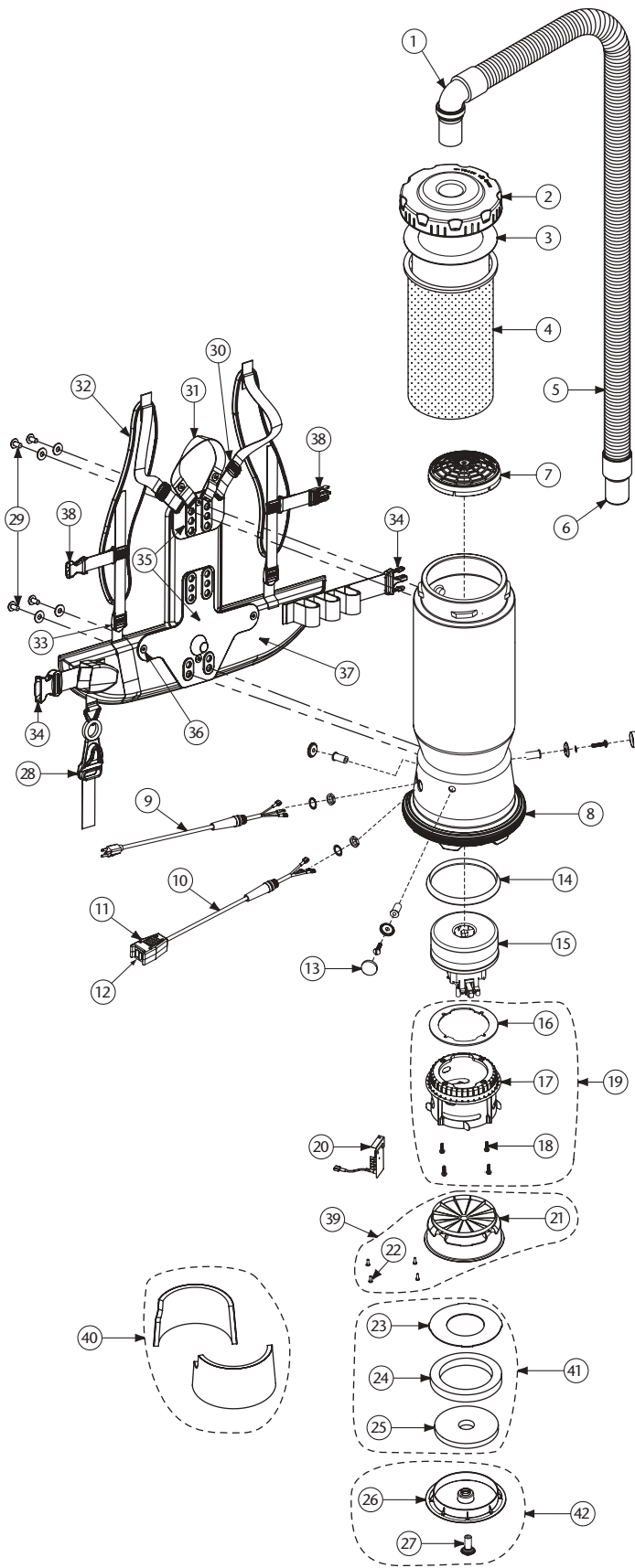
No.	Product Name	Qty	List Price
1	104273 Twist Cap (Black)	1 ea.	██████
2	100431 Intercept Micro Filter	10/pk	██████
3	100564 Micro Cloth Filter	1 ea.	██████
4	102604 Cord Holder	1 ea.	██████
5	101737 Carry Handle w/Rivet and Washer Set	1 set	██████
6	100356 Shoulder Strap Assembly (includes: #6a, 6b, 6c)	1 set	██████
6a	100358 Shoulder Strap Plastic Adjustment (Top)	1 ea.	██████
6b	100357 Shoulder Strap Plastic Adjustment (Bottom)	1 ea.	██████
6c	103627 Sternum Strap Buckles (Latch and Keeper)	1 set	██████
7	105046 Backplate (includes: #8)	1 ea.	██████
8	100375 Barrel Nut Connection Set for Backplate	1 set	██████
9	100716 Backplate (Black) Connection Set: 4 Screws w/Washers	1 set	██████
10	106719 Waist Belt Keeper and Latch	1 ea.	██████
11	100359 Waist Belt (includes: #10)	1 ea.	██████
	100354 Strap Assembly Complete (includes: #6, 11)	1 set	██████
	103166 Backplate System Complete (includes: #4, 5, 6, 7, 9, 11)	1 set	██████
12	100641 Power Cord Assembly	1 set	██████
13	101610 Switch Cord Assembly Complete (includes: #14, 15)	1 set	██████
	101715 Switch Cord w/Crimps	1 ea.	██████
	101717 Switch Cord Assembly Complete w/Switch and Box	1 ea.	██████
14	101472 Switch Box w/Velcro and New Lamb Switch	1 set	██████
	106287 Switch Box w/Velcro and Screws	1 ea.	██████
15	106066 On/Off Switch (Must be Used with 106287)	1 ea.	██████
16	105800 Sound Muffler	1 ea.	██████
17	105044 Motor Shroud/Diffuser w/Screw Set: 2 Screws	1 set	██████
18	100335 Motor Compression Ring w/Screws	1 set	██████
	100378 Compression Ring Screw Set: 4 Screws	1 set	██████
19	100014 Tetraseal	1 ea.	██████
20	100173 Carbon Brush Set for 400 Hz Motor	1 set	██████
21	100171 Motor/Fan w/Rectifier and Crimps (400Hz)	1 set	██████
	100174 Motor Rectifier	1 ea.	██████
	100379 Motor Ground Connection and Wire Clamp Set w/Screws	1 set	██████
	100380 Motor Crimp Set: 4 Female, 4 Male, Ground Crimp Connector	1 set	██████
22	100586 Bottom Bumper	1 ea.	██████
23	100368 Motor Mounting System Set: 3 Well Nuts, 3 Bolts, 3 Washers, 3 Covers	1 set	██████
24	100030 Dome Filter w/Foam Media	1 ea.	██████
25	100343 Foam Filter Media for Dome Filter	1 ea.	██████
	101220 High Filtration Disk (Optional)	2/pk	██████
26	103237 Static-Dissipating Hose 1 1/4" (Black)	1 ea.	██████
	103048 Static-Dissipating Hose 1 1/2" (Black)	1 ea.	██████
27	100694 Swivel Cuff (Black) 1 1/2" (Only AV 1 1/2")	1 ea.	██████
	103279 Swivel Cuff 1 1/4" (Black) (Only AV 1 1/4")	1 ea.	██████
27B	102715 Swivel Elbow Cuff 1 1/4" (Black) (Only AV 1 1/4")	1 ea.	██████
	101928 Swivel Elbow Cuff 1 1/2" (Black) (Only AV 1 1/2")	1 ea.	██████
28	107294 Thermal Protector	1 ea.	██████
	101678 50' Extension Cord (Not Shown)	1 ea.	██████

QUIETPRO CN HEPA PARTS



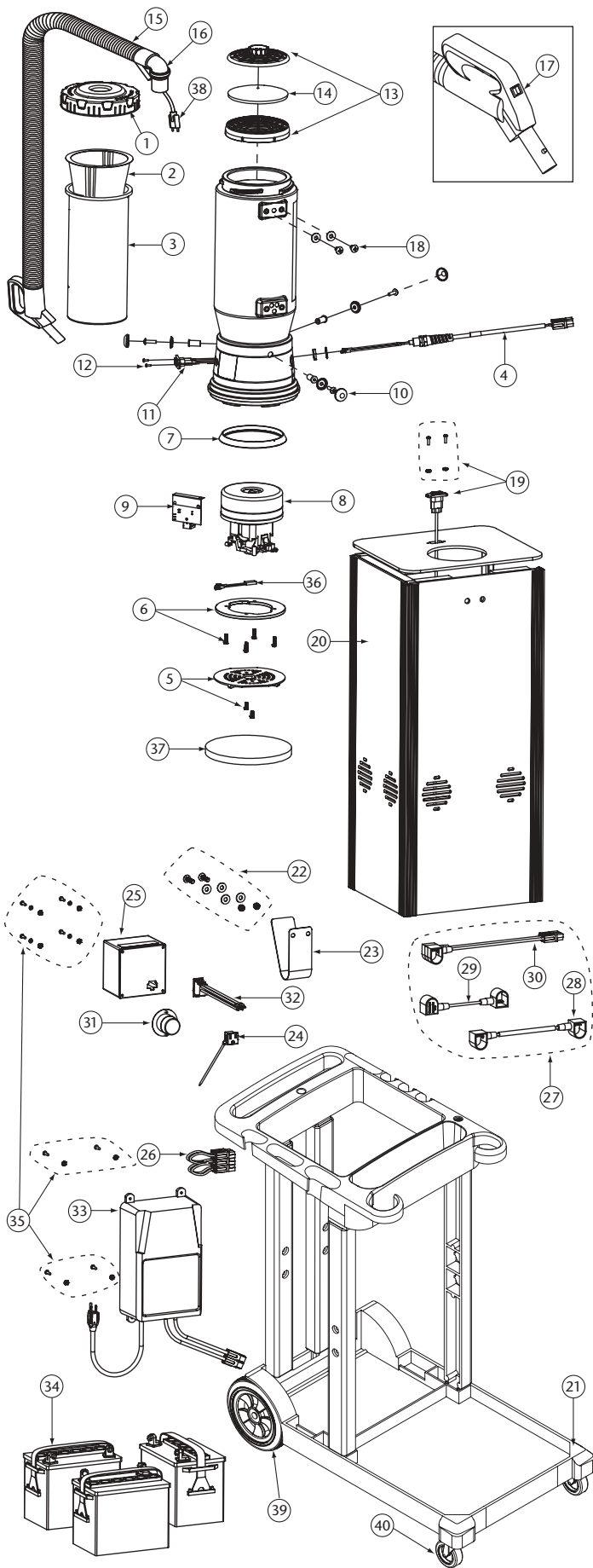
No.	Product Name	Qty	List Price
1	105991 On/Off Switch (2 Stage)	1 ea.	██████
2	102784 Dome Filter w/Filter Media	1 ea.	██████
3	101949 Replacement Foam Media for Dome Filter	1 ea.	██████
	102761 High Filtration Disk (Optional)	2/pk	██████
4	103236 Motor Seal	1 ea.	██████
5	106919 Motor/Fan (120V) w/Crimps (Ametek Motor)	1 ea.	██████
6	105697 Carbon Brush Set (Domel Motor)	1 set	██████
	106904 Carbon Brush Set (Ametek Motor) (122157-00)	1 set	██████
7	105430 Upper Foam Compression Ring	1 ea.	██████
8	105949 Noise Suppression Filter Assembly	1 ea.	██████
9	105948 Noise Suppression Foam	1 ea.	██████
10	103121 Motor Mount	1 ea.	██████
11	103266 Motor Mount and Vented Exhaust Cover	1 set	██████
	Screw Kit	1 set	██████
12	102127 Small Strain Relief	1 ea.	██████
13	105653 Dual Speed Module and Schematic with Thermal Protector	1 ea.	██████
14	103318 Top Cap, Black	1 ea.	██████
15	104544 Intercept Micro Filter	10/pk	██████
16	103115 Micro Cloth Filter	1 ea.	██████
17	103125 Foam Inlet Damper B	1 ea.	██████
18	103124 Foam Inlet Damper A	1 ea.	██████
19	103256 Rear Foam Diffuser	1 ea.	██████
20	103638 Replacement HEPA Filter Kit and Mounting Screw (includes: #29)	1 ea.	██████
21	103117 Tool Dock	1 ea.	██████
22	103441 Cord Lock	1 ea.	██████
23	106203 Wire Harness Assembly: 3 Wires and Strain Relief	1 set	██████
24	103545 Conical Washer for Swivel Caster	1 set	██████
25	103114 Swivel Caster	1 ea.	██████
26	106107 Ground Jumper	1 ea.	██████
27	103268 Rear Wheel Mounting Screw Kit: 2 Screws	1 set	██████
28	103267 Rear Wheel Assembly Kit: 2 Wheels, 2 Spacers, 2 Screws	1 set	██████
29	103215 Power Cord Assembly w/Locknut and Washer	1 ea.	██████
30	100694 Replacement Swivel Cuff (Black) 1 1/2"	1 ea.	██████
31	103172 78" Static Dissipating Hose w/Cuffs (Black) 1 1/2"	1 set	██████
32	103150 Replacement Long Swivel Cuff (Black) 1 1/2"	1 ea.	██████
	101678 50' Extension Cord (Not Shown)	1 ea.	██████

QUIETPRO BP HEPA PARTS



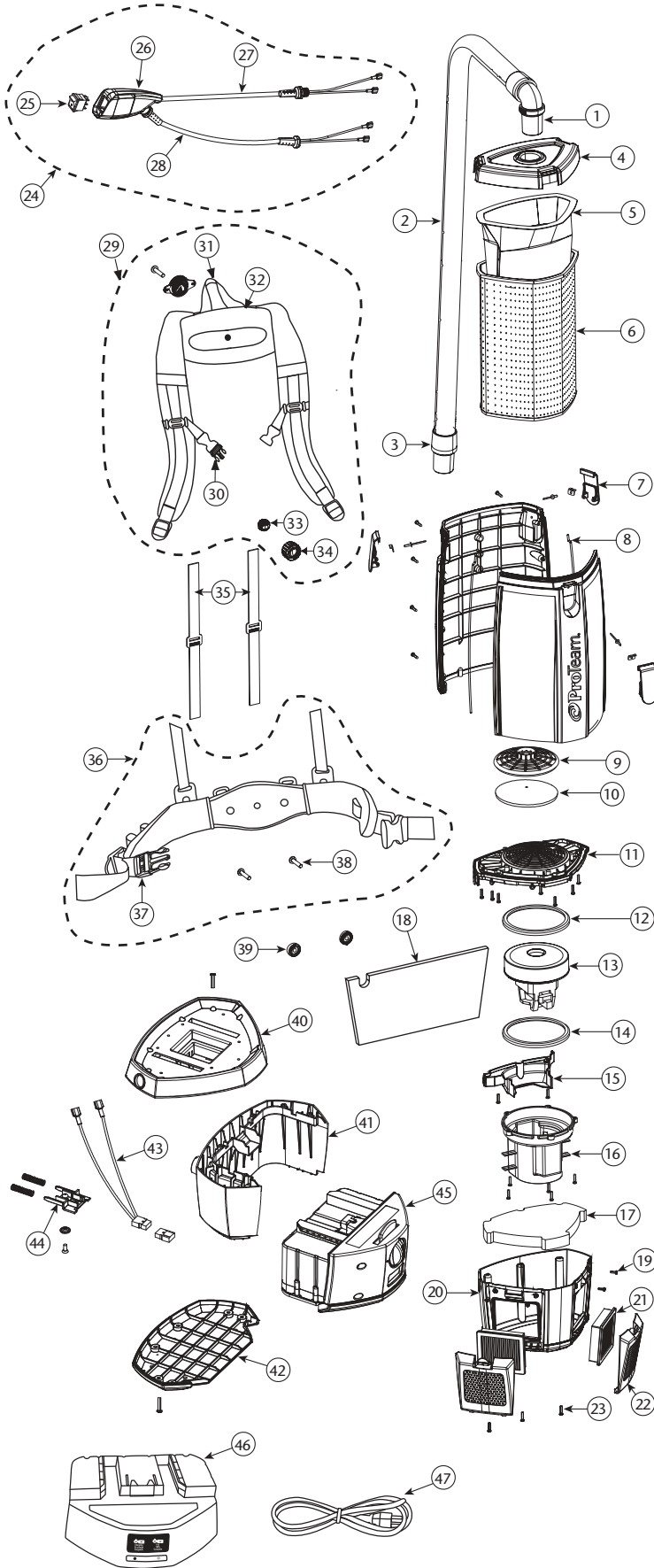
No.	Product Name	Qty	List Price
1	101928 Elbow Cuff, Swivel	1 ea.	
2	104273 Twist Cap (Black)	1 ea.	
3	100431 Intercept Micro Filter	10/pk	
4	100564 Micro Cloth Filter	1 ea.	
5	103048 Static-Dissipating Hose (Black) w/Cuffs 1½"	1 ea.	
6	100694 Replacement Swivel Cuff (Black) 1½"	1 ea.	
7	106526 Replacement HEPA Dome Filter	1 ea.	
8	100586 Bottom Bumper	1 ea.	
9	100641 Power Cord Assembly Complete w/Strain Relief	1 set	
10	105748 Switch Cord Assembly Complete F/QuietPro	1 set	
11	106287 Switch Box w/Velcro and Screws	1 set	
12	105973 On/Off Switch	1 ea.	
	105438 On/Off Switch (older style) (Hi/Lo)	1 ea.	
13	100368 Motor Mounting System Set: 3 Well Nuts, 3 Bolts, 3 Washers, 3 Covers	1 set	
14	100014 Tetraseal, Motor	1 ea.	
15	105722 Motor, (120V), 2 Stage (includes: #16)	1 ea.	
	105697 Carbon Brush Set (Domel)	1 set	
	100424 Carbon Brush Set (Ametek)	1 set	
16	105605 Gasket, Motor	1 ea.	
17	105149 Cap, Motor	1 ea.	
18	100378 Screw, 10-32 x 3/4", Self Tapping	4/pk.	
19	105619 Motor Mount Assembly (includes: #16, 17, 18)	1 set	
20	105653 Dual Speed Module and Schematic with Thermal Protector	1 ea.	
21	105150 Exhaust Housing, Motor	1 ea.	
22	104419 Screw, #8 x 1/2", Phillips, Hi/Lo	1 ea.	
23	105337 Ring, Motor Housing, Large	1 ea.	
24	105342 Foam, Ring, Motor Housing	1 ea.	
25	105343 Foam, Cover, Motor Housing	1 ea.	
26	105341 Cover, Motor Housing	1 ea.	
27	105613 Motor Mount	1 ea.	
28	102604 Cord Holder	1 ea.	
29	100716 Backplate (Blk) Connection Set: 4 Screws w/Washers	1 set	
30	100358 Shoulder Strap Plastic Adjustment (Top)	1 ea.	
31	101737 Carry Handle w/Rivet and Washer Set	1 set	
32	100356 Shoulder Strap Assembly (includes: #30, 33, 38)	1 set	
33	100357 Shoulder Strap Plastic Adjustment (Bottom)	1 ea.	
34	106719 Waist Belt Keeper and Latch	1 ea.	
35	105046 Backplate (includes: #36)	1 set	
	103166 Backplate System Complete (includes: #29, 31, 32, 35, 37)	1 set	
	100354 Strap Assembly Complete (includes: #32, 37)	1 set	
36	100375 Barrel Nut Connection Set for Backplate (Replacement)	1 set	
37	100359 Waist Belt (includes: #34)	1 ea.	
38	103627 Sternum Strap Buckles (Latch and Keeper)	1 set	
39	105620 Kit, Housing, Exhaust, Motor F/QuietPro (includes: #21, 22)	1 set	
40	105621 Kit, Foam, Acoustical Panels	1 set	
41	105622 Kit, Exhaust, Foam and Ring (includes: #23, 24, 25)	1 set	
42	105623 Kit, Cover, Exhaust F/QuietPro (includes: #26, 27)	1 set	
	101678 50' Extension Cord (Not Shown)	1 ea.	

GOCARTVAC PARTS



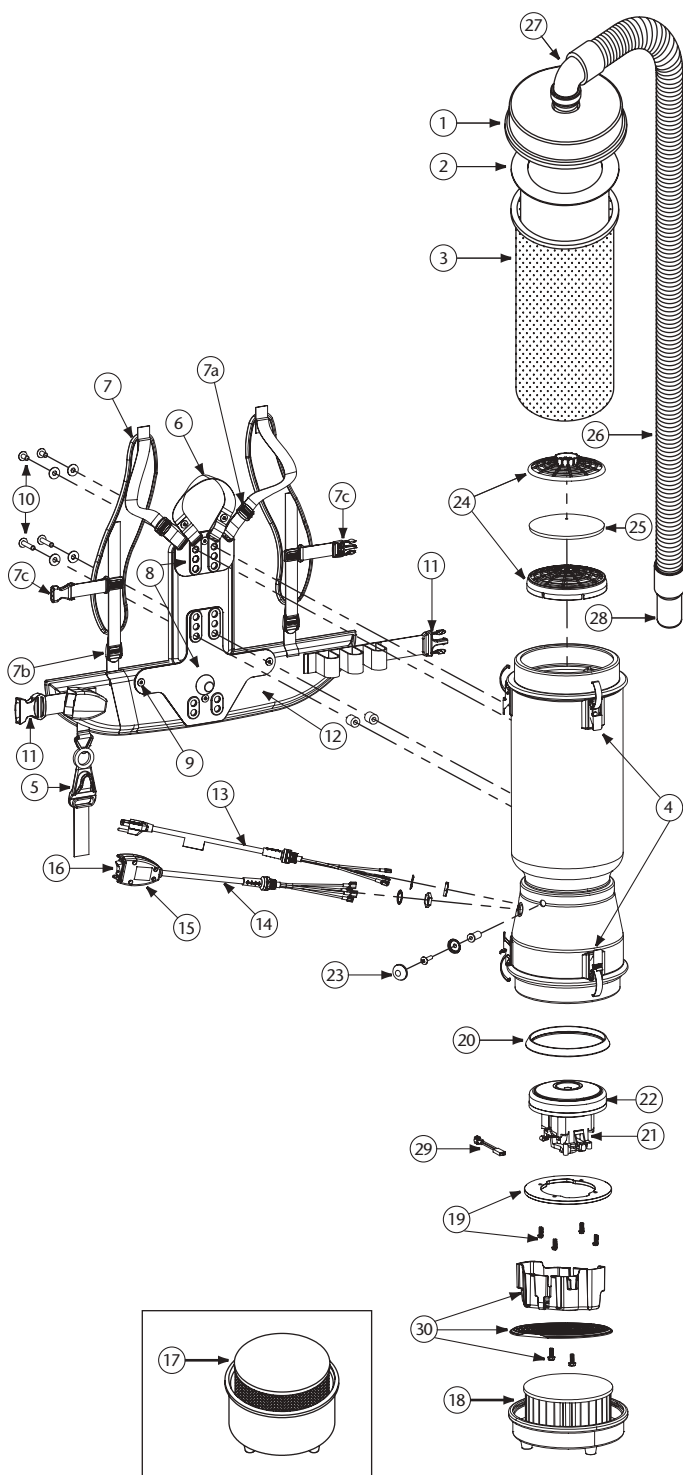
No.	Product Name	Qty	List Price
1	104273 Twist Cap (Black)	1 ea.	
2	100431 Intercept Micro Filter	10/pk	
3	100564 Micro Cloth Filter	1 ea.	
4	106282 Power Cord Replacement, Complete	1 ea.	
5	105044 Motor Shroud/Diffuser w/Screw Set: 2 screws	1 set	
6	100335 Compression Ring w/Connection Screws	1 set	
	100378 Compression Ring Connection Screws	1 set	
7	100014 Tetraseal	1 ea.	
8	103732 36V Motor w/Crimps, Replacement	1 set	
	103731 Carbon Brush Set for 36V motor	1 set	
	103617 Complete 36V Motor Assembly w/Seal, Compression Ring and Control Module (includes: #6, 7, 8, 9)	1 set	
9	105496 Battery Control Module	1 ea.	
10	100368 Motor Mounting System Set	1 set	
11	103916 Receptacle, 2-Wire w/Crimps	1 ea.	
12	104272 Receptacle Screw Set	1 set	
13	100030 Dome Filter w/Foam Media	1 ea.	
14	100343 Foam Filter Media for Dome Filter	1 ea.	
	101220 High Filtration Disk (Optional) (2 pack)	2/pk	
15	103623 Electrified Hose, 1 1/4" x 20' Long, 2-Wire	1 ea.	
16	102715 Replacement Swivel Elbow Cuff, Black	1 ea.	
17	106550 Switch Replacement	1 ea.	
18	106284 Kit, Vacuum Attachment Hardware for Cart	1 ea.	
19	106219 Kit, Power Receptacle Cord	1 set	
20	106211 Box, Sound w/Corner Rails	1 set	
21	106213 Cart Assembly Complete	1 ea.	
22	106214 Kit, Mounting Hardware	1 set	
23	103718 Hose Wrap, Blk	1 ea.	
24	106241 Kit, Receptacle for Box Assembly	1 ea.	
25	106215 Kit, Box Assembly	1 set	
26	106277 Harness, Charging w/Connectors	1 ea.	
27	106216 Kit, Battery Wiring Harness	1 set	
28	106280 Lead, Wire, Battery, Fusible Link, Replacement #8AWG, w/Terminals	1 ea.	
29	106279 Lead, Wire, Battery, Red, #8AWG, w/Terminals	1 ea.	
30	106278 Harness, Battery	1 ea.	
31	106217 Kit, Receptacle	1 set	
32	106281 Switch Assembly w/Crimps	1 ea.	
33	106218 Kit, Charger, 36V, 18.5A, w/Terminals	1 ea.	
34	105828 Battery, Lead Acid, 12V, 37AH	1 ea.	
35	106283 Kit, Attachment Hardware for Charger and Box Assembly	1 ea.	
36	107294 Thermal Protector	1 ea.	
37	106928 Exhaust Muffler	1 ea.	
38	105790 2 Wire Electrified Hose Cord (15")	1 ea.	
39	106297 Rear Wheel Set w/Axle	1 set	
40	106298 Front Wheel	1 ea.	
	101678 50' Extension Cord (Not Shown)	1 ea.	
	834669 Hardware for Base Legs (Not Shown)	1 set	

GOFREE FLEX PRO PARTS



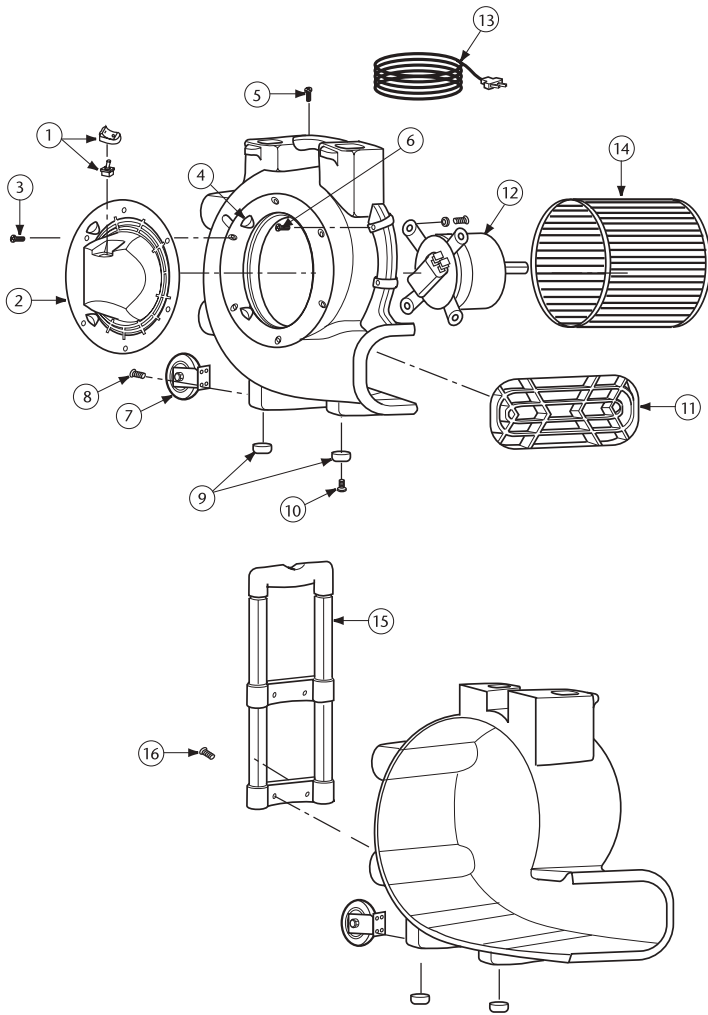
No.	Product Name	Qty	List Price
1	101928 Replacement Double Swivel Elbow Cuff 1½"	1 ea.	
	102715 Replacement Double Swivel Elbow Cuff 1¼"	1 ea.	
2	103048 Static-Dissipating Hose w/Cuffs (Black) 1½"	1 ea.	
	103237 Static-Dissipating Hose w/Cuffs (Black) 1¼"	1 ea.	
3	100694 Replacement Swivel Cuff (Black) 1½"	1 ea.	
	103279 Replacement Swivel Cuff (Black) 1¼"	1 ea.	
4	833948 Purple Cap	1 ea.	
5	107314 Intercept Micro Filter (Open Collar)	10/pk	
	107374 Intercept Micro Filter (Closed Collar)	10/pk	
6	834072 Micro Cloth Filter	1 ea.	
7	510179 Latch and Retainer w/Lock Nut & Screw	1 set	
8	510181 Gasket for Tank	2 ea.	
9	510183 Dome Filter w/Foam Media (includes: #10)	1 set	
10	510184 Foam Filter Media for Dome Filter	1 ea.	
11	510215 Upper Motor Support w/Gasket	1 set	
	510193 Upper Motor Support w/Gasket	1 set	
12	835948 Motor Gasket	1 ea.	
13	835949 Motor/Fan (36VDC)	1 ea.	
	510298 GoFree Pro Motor Conversion Kit (Not Shown)	1 kit	
14	835948 Motor Gasket	1 ea.	
15	510185 Cover Wire w/ 2 screws	1 set	
16	510194 Lower Motor Support (5 screws)	1 set	
17	834042 Triangular Lower Foam Pad	1 ea.	
18	834043 Rectangular Upper Foam Pad	1 ea.	
19	808380-0 Screw Pan CR #8 x ½"	1 ea.	
20	510216 Housing Assembly Lower w/Screws	1 set	
21	107315 HEPA Filter (2 pack)	1 set	
22	833954 Exhaust Filter Door	1 ea.	
23	808380-22 Screw Pan CR #8 x ¾"	1 ea.	
24	834249 Switch Cord and Power Cord Assembly (25-27)	1 set	
25	106066 On/Off Switch	1 ea.	
26	107043 Switch Box	1 set	
27	834250 Pigtail Assembly	1 set	
28	834251 Battery Cord Assembly	1 set	
29	840112 Upper Harness Assembly (includes: #30-37)	1 set	
	840011 Harness Assembly Complete (includes: #30-37)	1 set	
30	510191 Sternum Strap Buckle (latch and keeper)	1 set	
31	101737 Carry Handle w/Rivet Set	1 set	
32	834049 Upper Pad Harness	1 set	
33	834050 Pivoting Ball	1 ea.	
34	834053 Outer Support Retainer	1 ea.	
35	510192 Tensioning Straps	1 set	
36	840114 Lower Harness Assembly (includes: #40, 41)	1 set	
37	510301 Waist Belt Buckles and Straps Set	1 set	
38	834051 5/16" - 18x1 - 3/8" Lock Screw (2 screws)	1 set	
39	510186 Harness Spacers	2 ea.	
40	510218 Upper Battery Housing	1 ea.	
41	510217 Lower Battery Housing	1 ea.	
42	510219 Battery Support	1 ea.	
43	510220 Lead Assembly w/Screw	1 ea.	
44	510221 Actuator w/Washer, Screw, Springs	1 set	
45	107513 Battery (12Ah)	1 ea.	
46	107516 Battery Charger and Charger Cord	1 ea.	
47	834678 Charger Cord	1 ea.	

LINEVACER PARTS



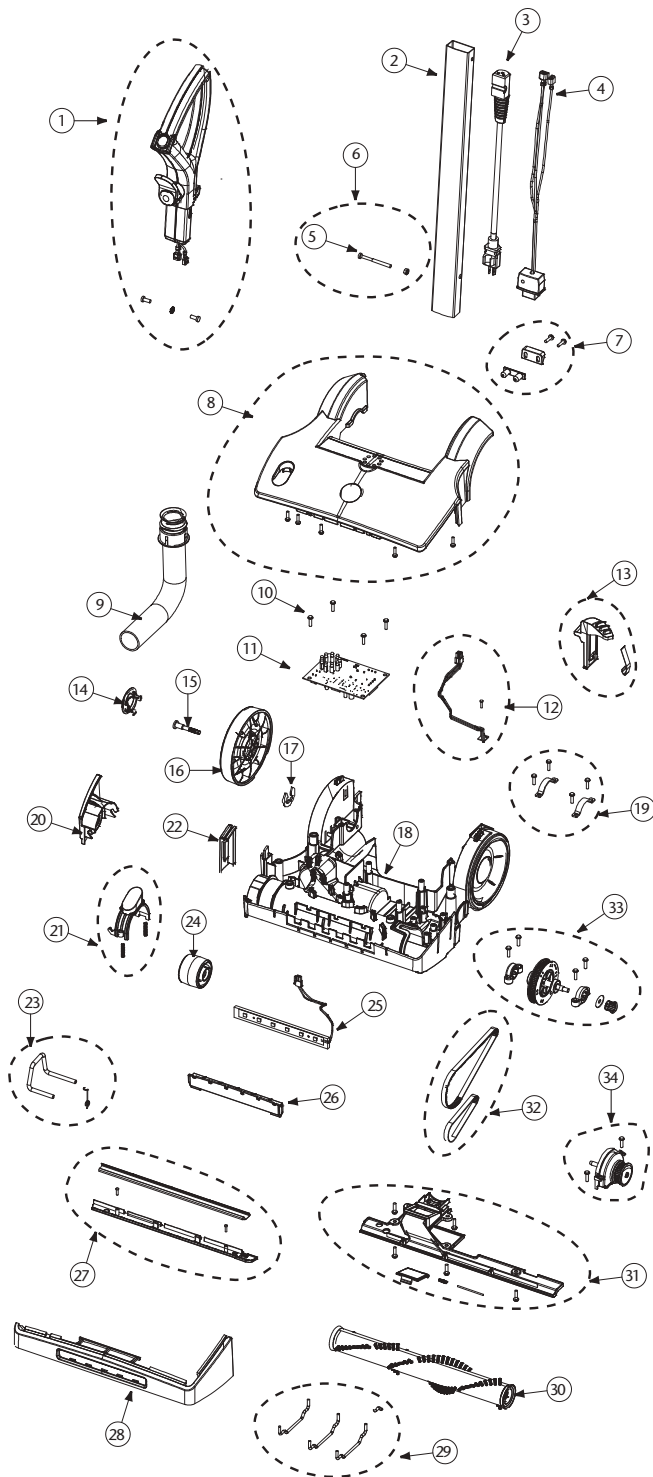
No.	Product Name	Qty	List Price
1	104276 Latch Cap w/Cuff (Black)	1 ea.	
2	100291 Intercept Micro Filter	10/pk	
3	100565 Micro Cloth Filter	1 ea.	
4	100286 Top or Bottom Cap Latch Set: 3 Latches, 3 Locks w/6 Fastening Rivets, 6 Washers	1 set	
5	102604 Cord Holder	1 ea.	
6	101737 Carry Handle w/Rivet and Washer Set	1 set	
7	100356 Shoulder Strap Assembly (includes: #7a, 7b, 7c)	1 set	
7a	100358 Shoulder Strap Plastic Adjustment (Top)	1 ea.	
7b	100357 Shoulder Strap Plastic Adjustment (Bottom)	1 ea.	
7c	103627 Sternum Strap Buckles (Latch and Keeper)	1 set	
8	105046 Backplate (includes: #9)	1 ea.	
9	100375 Barrel Nut Connection Set for Backplate (Replacement)	1 set	
10	100374 Backplate Connection Set: 4 Screws w/Washers, Stand Offs	1 set	
11	106719 Waist Belt Keeper and Latch	1 ea.	
12	100359 Waist Belt (includes: #11)	1 ea.	
	100354 Strap Assembly Complete (includes: #7, 12)	1 set	
	103166 Backplate System Complete (includes: #5, 6, 7, 8, 10, 12)	1 set	
13	100641 Power Cord Assembly Complete	1 set	
14	101610 Switch Cord Assembly 120V (includes: #14, 15, 16)	1 set	
	101714 Switch Cord w/Crimps	1 ea.	
	101716 Switch Cord Assembly Complete 120V	1 set	
15	101472 Switch Box w/Velcro and New Lamb Switch	1 set	
	106287 Switch Box w/Velcro and Screws	1 ea.	
16	106066 On/Off Switch (must use with #106287)	1 ea.	
17	104275 ULPA Filter Assembly Complete w/Bottom Cap (100280, 100282)	1 set	
18	104274PT HEPA Filter Assembly Complete w/Bottom Cap (100277, 100279)	1 set	
19	100335 Motor Compression Ring w/Screws	1 set	
	100378 Compression Ring Screw Set: 4 Screws	1 set	
20	100014 Tetraseal	1 ea.	
	100297 Gasket Ring (Not Shown)	1 ea.	
21	105697 Carbon Brush Set (Domel Motor)	1 set	
	100424 Carbon Brush Set (Ametek Motor) (116311-00)	1 set	
	106904 Carbon Brush Set (Ametek Motor) (122157-00)	1 set	
22	100422 Motor/Fan (120 V) w/Crimps (Ametek Motor)	1 ea.	
	100380 Motor Crimp Set: 4 female, 4 Male and a Ground Crimp Connector	1 set	
	100379 Motor Ground, Wire Clamp Set w/Screws	1 set	
23	100368 Motor Mounting System Set: 3 Well Nuts, 3 Bolts, 3 Washers, 3 Covers	1 set	
24	100030 Dome Filter w/Foam Media	1 ea.	
25	100343 Foam Filter Media for Dome Filter	1 ea.	
26	103048 Static-Dissipating Hose w/Cuffs (Black)	1 ea.	
27	101928 Replacement Double Swivel Elbow Cuff (Black)	1 ea.	
28	100694 Replacement Swivel Cuff (Black) 1 1/2"	1 ea.	
29	107294 Thermal Protector	1 ea.	
30	105044 Motor Shroud/Diffuser w/Screw Set: 2 Screws	1 set	
	101678 50' Extension Cord (Not Shown)	1 ea.	

PROBLITZ AIR MOVER PARTS



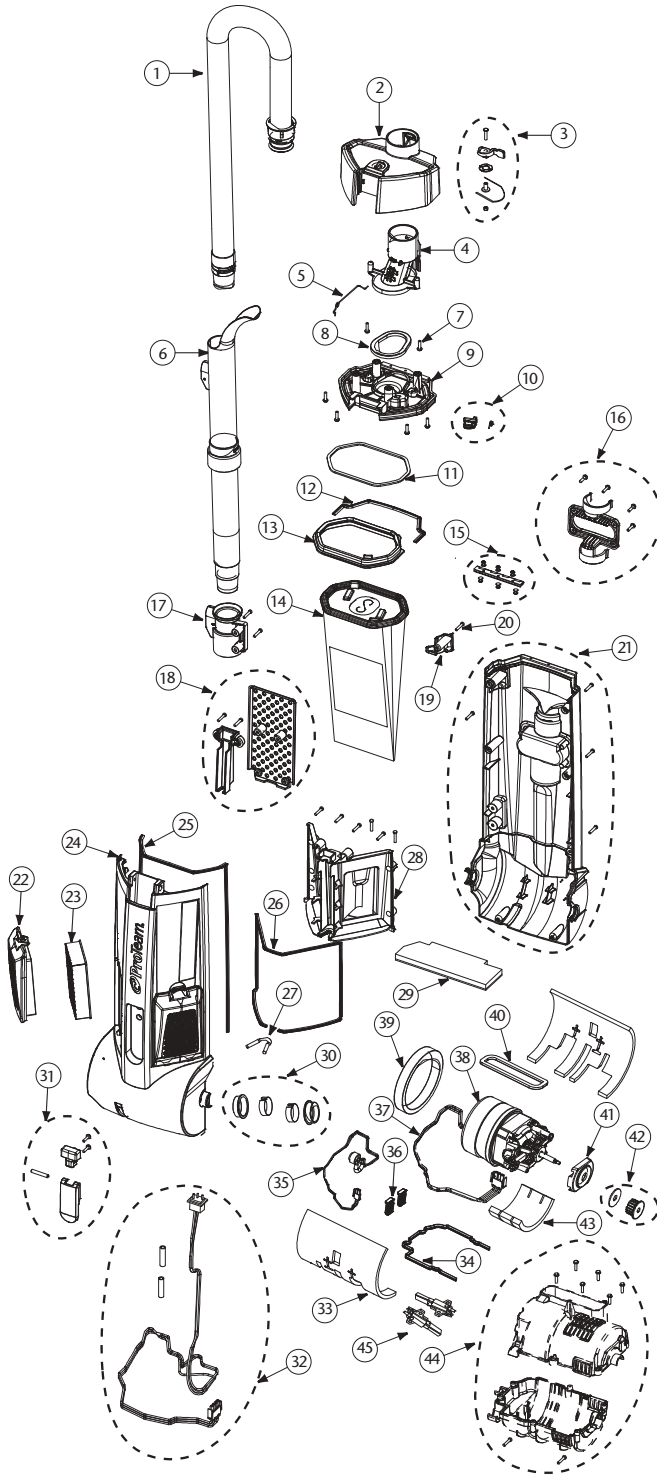
No.	Product Name	Qty	List Price
1	510141 Switch & Knob Assembly	1 ea.	
2	833658 Inlet Grill	1 ea.	
3	820563-7 Screw, Type AB #10 x 3/4"	1 ea.	
4	833673 Threaded Inserts - Housing	1 ea.	
5	820563-7 Screw, Type AB #10 x 3/4"	1 ea.	
6	820563-13 Screw, Type AB #10 x 1"	1 ea.	
7	510140 Wheel Assembly (ProBlitz XP only)	1 ea.	
8	820563-7 Screw, Type AB #10 x 3/4" (ProBlitz XP only)	1 ea.	
9	833690 Foot Bumper (Only four (4) required for ProBlitz XP)	1 ea.	
10	820563-7 Screw, Type AB #10 x 3/4" (Only four (4) required for ProBlitz XP)	1 ea.	
11	833659 Exhaust Grill	1 ea.	
12	833674 Motor	1 ea.	
13	833675 Cord w/Plug	1 ea.	
14	833660 Blower Wheel	1 ea.	
15	833691 Retractable Handle (ProBlitz XP only)	1 ea.	
16	820563-7 Screw, Type AB #10 x 3/4" (ProBlitz XP only)	1 ea.	

PROGEN 12/15 PARTS



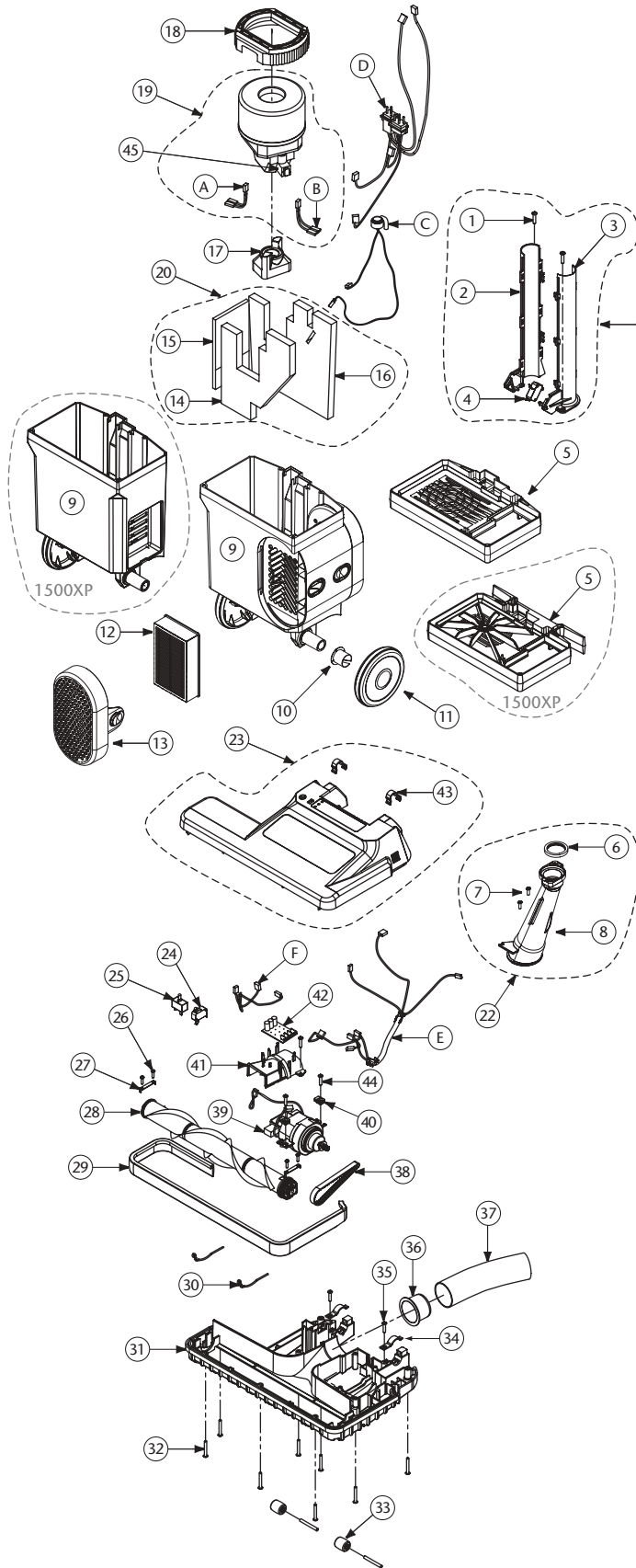
No.	Product Name	Qty	List Price
1	835699 Handle Assembly	1 ea.	
2	834746 Aluminum Tube Handle	1 ea.	
3	834740-1 Power Cord w/ Strain Relief 50' 15"	1 ea.	
	834740 Power Cord w/ Strain Relief 40' 12"	1 ea.	
4	834750 Handle Tube Harness	1 ea.	
5	834743 Handle Tube Bushing	1 ea.	
6	835701 Handle Screw Nut Assembly (includes: #5)	1 ea.	
7	835700 Cam Lock Latch Assembly	1 ea.	
8	835686 Base Cover 15" Assembly	1 ea.	
	835707 Base Cover 12" Assembly	1 ea.	
9	510252 Hose Power Head Assembly	1 ea.	
10	835345 Washer Pan Screw M4	1 ea.	
11	834797 Main Control Board	1 ea.	
12	835683 Control Board Hall Effect Assembly	1 ea.	
13	835676 Foot Pedal 15" Assembly	1 ea.	
	835702 Foot Pedal 12" Assembly	1 ea.	
14	834788 Cap Button	1 ea.	
15	834789 Rear Wheel Shaft 15"	1 ea.	
	836627 Base Assembly 12"	1 ea.	
16	834787 Rear Wheel 15"	1 ea.	
	836627 Base Assembly 12"	1 ea.	
17	834790 Retaining Ring	1 ea.	
18	834804 Power Nozzle Base 15"	1 ea.	
	836627 Base Assembly 12"	1 ea.	
19	835684 Filter Housing Clamp Assembly	1 ea.	
20	835350 Brush Removal Cover 15" Assembly	1 ea.	
	835352 Brush Removal Cover 12" Assembly	1 ea.	
21	835682 Brush Release Button 15" Assembly	1 ea.	
	835705 Brush Release Button 12" Assembly	1 ea.	
22	834810 Side Base Bumper 15"	1 ea.	
	835036 Side Base Bumper 12"	1 ea.	
23	835675 Center Wheel Pivot Rod Assembly	1 ea.	
24	834791 Center Wheel	1 ea.	
25	835349 LED Strip Light Harness Assembly	1 ea.	
26	834816 LED Strip Light Lens	1 ea.	
27	835680 Front Base Plate 15" Assembly	1 ea.	
	835703 Front Base Plate 12" Assembly	1 ea.	
28	834809 Front Base Bumper 15"	1 ea.	
	835035 Front Base Bumper 12"	1 ea.	
29	835679 Base Wire Brace	1 ea.	
30	834807 Brush Roller 15"	1 ea.	
	835044 Brush Roller 12"	1 ea.	
31	835681 Rear Base Plate 15" Assembly	1 ea.	
	835704 Rear Base Plate 12" Assembly	1 ea.	
32	835678 Timing Belt Assembly	1 ea.	
33	835685 15" Pulley Assembly	1 ea.	
	835706 12" Pulley Assembly	1 ea.	
34	835677 Brush Roller Clutch Assembly	1 ea.	

PROGEN 12/15 PARTS



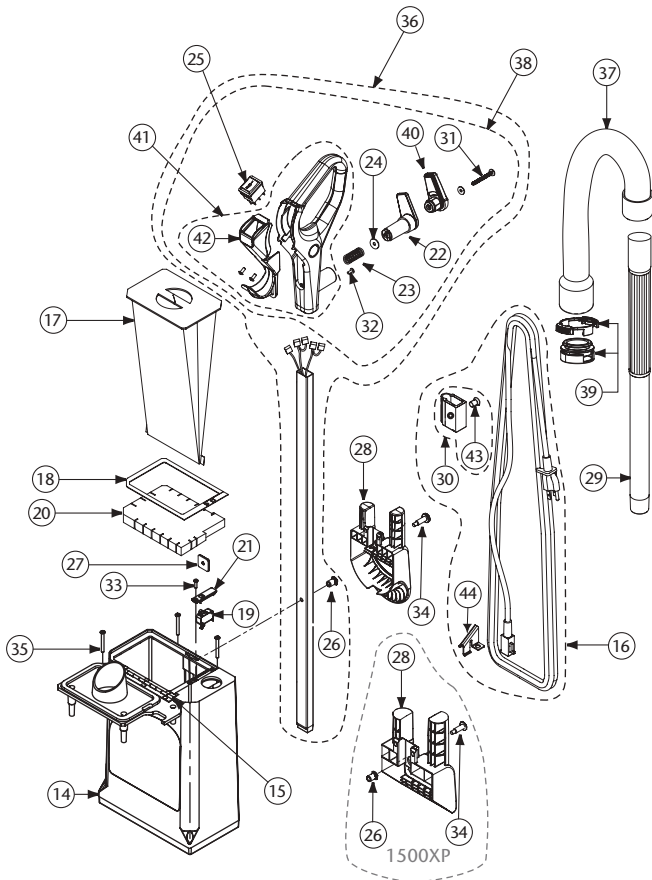
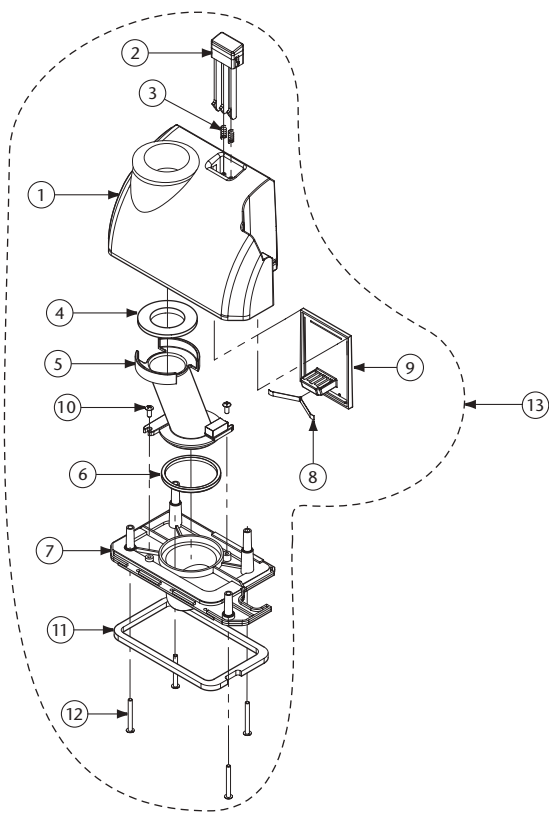
No.	Product Name	Qty	List Price
1	510259 Hose Assembly	1 ea.	
2	835354 Filter Cover Assembly	1 ea.	
3	835696 Filter Lid Cam Lock Assembly	1 ea.	
4	834688 Transition Duct Assembly Upright	1 ea.	
5	834753 Filter Housing Spring Hose	1 ea.	
6	510258 Extension Tube Assembly	1 ea.	
7	835345 Washer Pan Screw M4	1 ea.	
8	834691 Transition Duct Gasket	1 ea.	
9	834687 Bag Cover Housing Plate	1 ea.	
10	835697 Bag Cover Housing Interlock Assembly	1 ea.	
11	834690 Bag Cover Gasket Plate	1 ea.	
12	834730-3 Lid Rear Tree Gasket	1 ea.	
13	834823 Bag Housing Rim	1 ea.	
14	107377 Intercept Micro Filter, 10 pack	1 ea.	
15	835698 Hinge with Rivet Assembly	1 ea.	
16	835694 Carry Handle w/ Tool Caddy Assembly	1 ea.	
17	835351 Power Nozzle Adaptor Hose	1 ea.	
18	835690 Filter Housing Harness Enclosure Assembly	1 ea.	
19	834724 Extension Handle Clip	1 ea.	
20	835358 Pan Screw M4 20mm	1 ea.	
21	835693 Rear Bag Housing Assembly	1 ea.	
22	834717 HEPA Filter Cover	1 ea.	
23	107005 HEPA Filter	1 ea.	
24	835687 Front Bag Housing 15"	1 ea.	
	835708 Front Bag Housing 12"	1 ea.	
25	834730 Bag Housing Tree Gasket	1 ea.	
26	834730-1 Filter Housing Tree Gasket	1 ea.	
27	835150 Filter Housing Gasket Separator	1 ea.	
28	834718 Filter Housing Separator	1 ea.	
29	834721 Motor Intake Filter	1 ea.	
30	835695 Bag Housing Pivot Sleeve Assembly	1 ea.	
31	835688 Lower Cord Wrap Bracket Assembly	1 ea.	
32	835689 Filter Housing Harness Assembly	1 ea.	
33	834722 Foam Filter Housing	1 ea.	
34	834730-2 Motor Housing Tree Gasket	1 ea.	
35	834723 Bag Full Indicator Sensor	1 ea.	
36	840042 Motor Support Gasket	1 ea.	
37	835344 Motor Harness	1 ea.	
38	834705 Motor Assembly (Includes # 45)	1 ea.	
39	834696 Blower Gasket Housing	1 ea.	
40	834697 Inlet Motor Gasket	1 ea.	
41	834701 Motor Mount Gasket	1 ea.	
42	835692 Motor Pulley Assembly	1 ea.	
43	834704 Foam Motor Housing	1 ea.	
44	835691 Motor Housing Assembly	1 ea.	
45	835714 Motor Brush	1 ea.	

PROFORCE 1500XP HEPA/1200XP HEPA PARTS



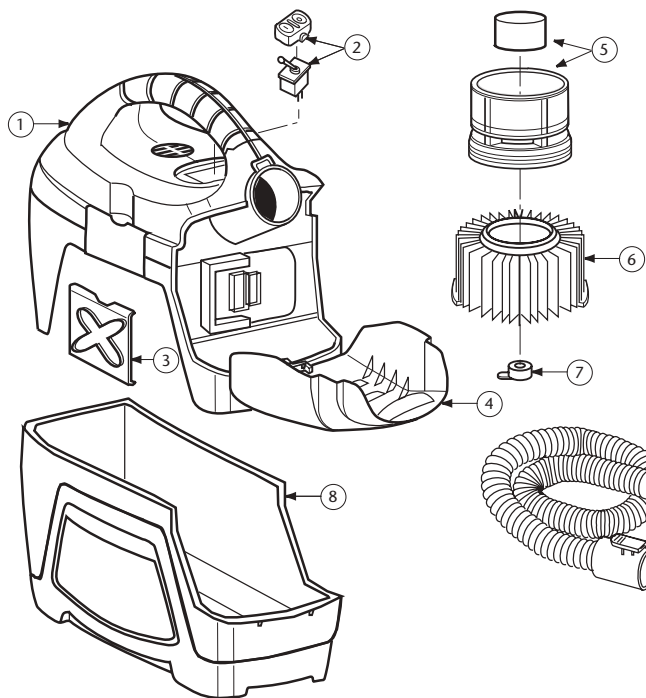
No.	Product Name	Qty	List Price
1	104267 Screw, Phillips, 4mm x 12mm F/Wand Guide	2/pk	
2	104260 Guide, Wand, Upper Right	1 ea.	
3	104261 Guide, Wand, Upper Left	1 ea.	
4	104263 Switch, Wand Lockout	1 ea.	
5	107255 1500XP HEPA Bulkhead, Dark Grey	1 ea.	
6	104253 Seal, Lower Air Duct , Nitrile	1 ea.	
7	104267 Screw, Phillips, 4mm x 12mm F/Lower Air Duct	2/pk	
8	104250 Air Duct	1 ea.	
9	107257 1500XP HEPA Motor Housing, Charcoal	1 ea.	
10	104504 Bearing, Pivot	2/pk	
11	104306 Wheel, Rear	2/pk	
12	107005 1500XP HEPA Filter, Exhaust, HEPA Media	1 ea.	
13	107258 1500XP HEPA Cover, Filter Cartridge, Charcoal	1 ea.	
14	103532 Foam, Sound, Motor Housing, Front Panel	1 ea.	
15	103533 Foam, Sound, Motor Housing, Left Panel	1 ea.	
16	103531 Foam, Sound, Motor Housing, Rear Panel	1 ea.	
17	104247 Motor Mount, Lower Nitrile	1 ea.	
18	104249 Motor Mount, Upper Nitrile	1 ea.	
19	104957 Motor Assembly w/Jumpers (includes: A, B)	1 kit	
20	105488 Motor Housing Sound Filter (includes: #14,15,16)	1 kit	
21	105490 Wand Kit (includes: #1, 2, 3, 4)	1 kit	
22	105489 Air Duct Kit (includes: #6, 7, 8)	1 kit	
23	107282 1500XP HEPA Power Nozzle Cover w/Detent Springs & Decal (includes: #43)	1 ea.	
	107283 1200XP HEPA Power Nozzle Cover w/Detent Springs & Decal (includes: #43)	1 ea.	
24	104279 Switch, Safety, Power Nozzle Lockout	1 ea.	
25	104212 Circuit Breaker	1 ea.	
26	104496 Screw, Phillips, 3.5mm x 13mm, F/Brush Retainer	4/pk	
27	104499 Retainer, Brush Roll	2/pk	
28	104216 Brush Roll, Power Nozzle, 14"	1 ea.	
	107163 1200XP Brush Roll, Power Nozzle, 12"	1 ea.	
29	104218 Bumper, Power Nozzle, Vinyl	1 ea.	
	107166 1200XP Bumper, Power Nozzle, Vinyl	1 ea.	
30	104500 Brace, Formed Wire, F/Power Nozzle Base	2/pk	
31	104221 Baseplate, Power Nozzle	1 ea.	
	107167 1200XP HEPA Baseplate, Power Nozzle	1 ea.	
32	104497 Screw, Phillips, 4mm x 35mm F/Base Cover	8/pk	
33	834363 Wheel/Axle Replacement Kit	1 kit	
34	104503 Clamp, Rear Wheel	1 set	
35	104495 Screw, Phillips, 4mm x 19mm F/Powerhead	5/pk	
36	104227 Sleeve, Hose, Air Duct	1 ea.	
37	104230 Hose, Power Nozzle to Air Duct, Lower	1 ea.	
38	104217 Belt, Drive, F/Brush Roll	1 ea.	
39	104506 Motor, Power Nozzle with Crimps	1 ea.	
40	104498 Grommet, Vibration, Power Nozzle Motor, Nitrile	2/pk	
41	104224 Cover, Air Duct, Power Nozzle	1 ea.	
42	104226 Board, Vacuum Operation Indicator	1 ea.	
43	104507 Spring, Detent, Upright Lock	2/pk	
44	105371 Screw, Phillips, 4.2mm x 19mm, F/Power Nozzle Motor	2/pk	
45	105281 Carbon Brush Set for ProForce Motor	1 set	
	105754 Wire Harness Kit includes:	1 set	
	A. Harness, Jumper, Red	B. Harness, Jumper, White	
	C. Sensor, Bag Full Indicator	D. Harness, Main Power Supply	
	E. Harness, Wire, Power Nozzle	F. Harness, Power Nozzle Switch	

PROFORCE 1500XP HEPA/1200XP HEPA PARTS



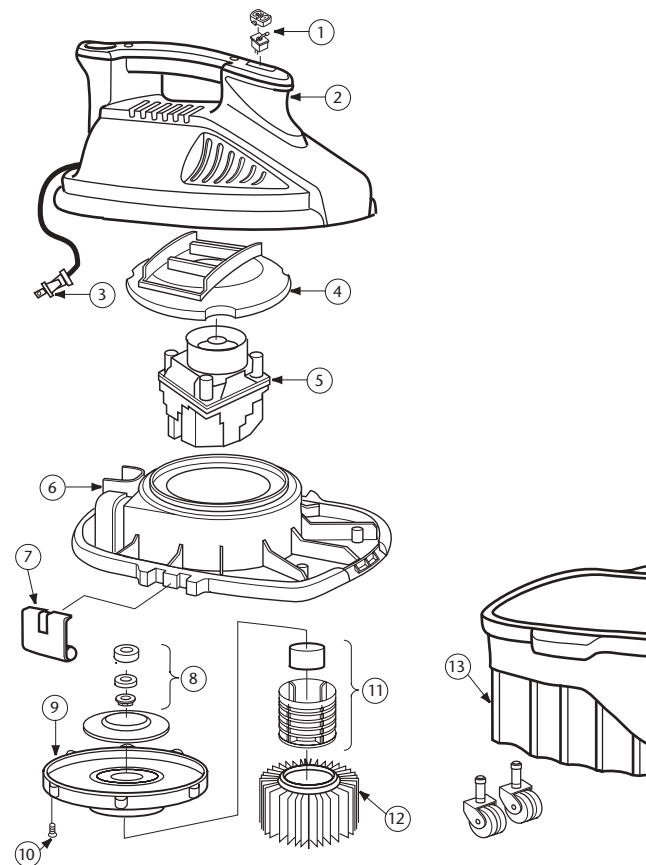
No.	Product Name	Qty	List Price
1	104234 Cover, Bag Housing, Grey F/XP	1 ea.	██████
2	104232 Latch, Release, Bag Cover	1 ea.	██████
3	104233 Spring, Release Button, F/Bag Cover Latch	2/pk	██████
4	104235 Seal, Transition Duct/Bag Cover, Upper	1 ea.	██████
5	104236 Duct, Transition, Bag Cover, F/XP	1 ea.	██████
6	104238 Seal, Transition Duct/Bag Cover Nozzle Plate, Lower	1 ea.	██████
7	104239 Plate, Bag Cover Nozzle, F/XP	1 ea.	██████
8	104242 Spring, Bag Cover Latch	1 ea.	██████
9	104243 Plate, Bag Cover Latch	1 ea.	██████
10	104505 Screw, Phillips, 4mm x 9.5mm	2/pk	██████
11	104241 Gasket, Bag Cover	1 ea.	██████
12	104493 Screw, Phillips, 4.2mm x 35mm	4/pk	██████
13	105486 Filter Cover Kit w/Riveted Hinge and 6 Rivets (includes: #1-12)	1 kit	██████
14	107260 1500XP HEPA Bag Housing Assembly, Grey w/Riveted Hinge & Decal Incl: Bag Cover Nozzle Plate	1 ea.	██████
	107285 1200XP HEPA Bag Housing Assembly, Grey w/Riveted Hinge & Decal Incl: Bag Cover Nozzle Plate	1 ea.	██████
15	104491 Rivet F/Bag Housing Assembly	6/pk	██████
16	104284 Cord, Power, w/Strain Relief, 50' Yellow (includes: #30, 44)	1 ea.	██████
17	103483 Intercept Micro Filter	10/pk	██████
18	104738 Seal, Gasket, Bag Housing	1 ea.	██████
19	104283 Switch, Filter, Lock-Out	1 ea.	██████
20	104281 Filter, Double Layer Motor Intake	1 ea.	██████
21	104282 Cover, Switch, Filter Lock-out	1 ea.	██████
22	104268 Bracket, Cord Wrap	1 ea.	██████
23	104269 Spring, Compression, Cord Wrap Bracket	1 ea.	██████
24	104270 Washer, Compression Spring, Cord Wrap Bracket	1 ea.	██████
25	105147 Switch, Rocker, On/Off	1 ea.	██████
26	104264 Bushing, Handle Tube	1 ea.	██████
27	104259 Plate, Handle Nut	1 ea.	██████
28	107256 Handle, Carry w/Tool Caddy, F/XP (HEPA)	1 ea.	██████
29	104294 Wand, F/XP	1 ea.	██████
30	105091 Clasp, Strain Relief Kit w/Fastener (include: #43)	1 ea.	██████
31	104271 Screw, Cord Wrap, M4 x 45mm, Phillips Round Head	1 ea.	██████
32	104509 Screw, Phillips, 4mm x 16mm x .07 Pitch, F/Handle Assembly	1 ea.	██████
33	105075 Screw, Phillips, 2.9mm x 13mm, F/Switch Cover	1 ea.	██████
34	104266 Screw, Handle Assembly	1 ea.	██████
35	104493 Screw, Phillips, 4.2mm x 35mm	4/pk	██████
36	106618 Handle, Tube Assembly Complete, F/XP (includes: #26, 38)	1 ea.	██████
37	104961 Hose, Assembly w/Cuffs, F/XP (includes: #39)	1 ea.	██████
38	106617 Handle Kit (includes: #22, 23, 24, 25, 31, 32, 40, 41)	1 kit	██████
39	105573 Quick Release Hose Cuff	1 ea.	██████
40	107093 Impact Bumper	1 ea.	██████
41	106619 Handle/Bezel Assembly (PF 1500XP) (includes #42)	1 ea.	██████
42	106739 Handle Bezel (PF 1500XP)	1 ea.	██████
43	105320 Fastener	1 ea.	██████
44	107203 Cord Retention Clip	1 ea.	██████

PROGUARD LI 3 CORDLESS PARTS



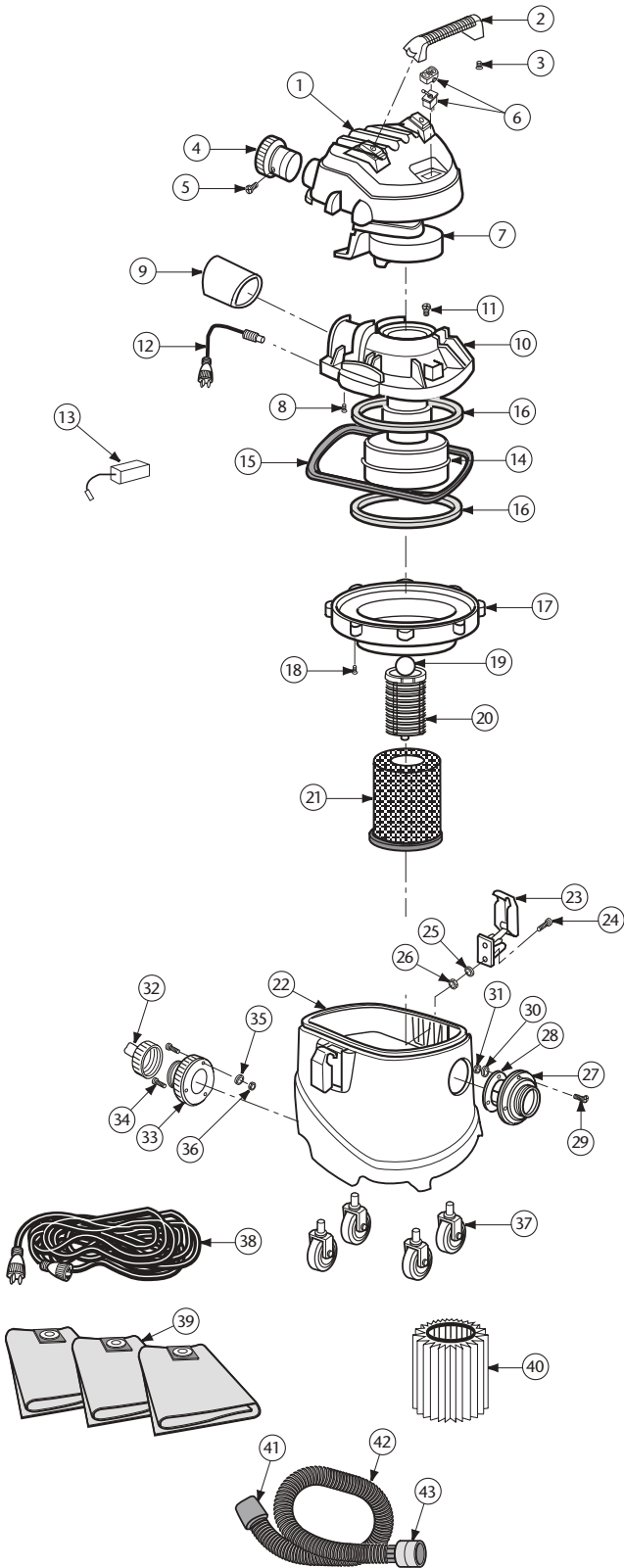
No.	Product Name	Qty	List Price
1	510121 Power Head	1 ea.	██████
2	510127 Switch/Cover	1 ea.	██████
3	833367 Drum Latches	2/pk	██████
4	510122 Battery Cover/Hinge	1 ea.	██████
5	832048 Filter Cage/Float	1 ea.	██████
6	107178 Qwik Lock Fine Dust Cartridge Filter	1 ea.	██████
7	73316 Filter Nut	1 ea.	██████
8	833371 Drum with Labels	1 ea.	██████
9	107197 Hose Assembly	1 ea.	██████
10	107496 Battery	1 ea.	██████
11	107490 Battery Charger	1 ea.	██████
	830098 Diffuser (Not Shown)	1 ea.	██████

PROGUARD 4 PORTABLE PARTS



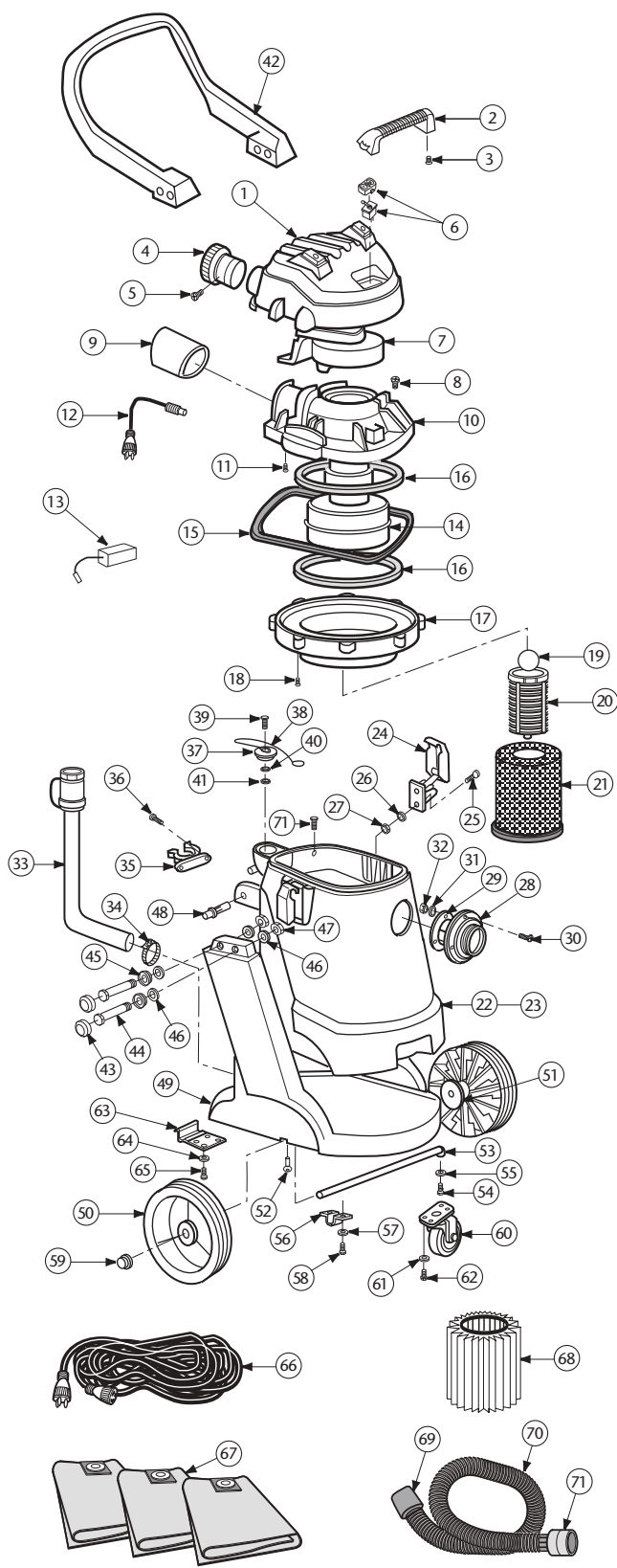
No.	Product Name	Qty	List Price
1	510224 Switch and Switch Cover	1 ea.	██████
2	510225 Motor Cover and Top Handle	1 ea.	██████
3	829719-4 Cord Assembly	1 ea.	██████
4	830519 Exhaust Duct	1 ea.	██████
5	509776-19 Motor Assembly	1 ea.	██████
6	830520-2 Lid	1 ea.	██████
7	826387 Tank Latch	1 ea.	██████
8	510124 Blower Wheel, Washer, Spacer, Nut	1 ea.	██████
9	832656-1 Plate Collector	1 ea.	██████
10	820563-4 Screw, Type AB #10 x 3/4"	1 ea.	██████
11	510108 Filter Cage and Float Assembly	1 ea.	██████
12	107178 Qwik Lock Fine Dust Cartridge Filter	1 ea.	██████
13	510106 Tank (with Inlet)	1 ea.	██████
14	510109 Casters	4/pk	██████
15	831337-6 Premium Hose Assembly	1 ea.	██████
16	830098 Diffuser	1 ea.	██████
17	107182 Intercept Micro Filter Bag (optional)	3/pk	██████

PROGUARD 10 PARTS



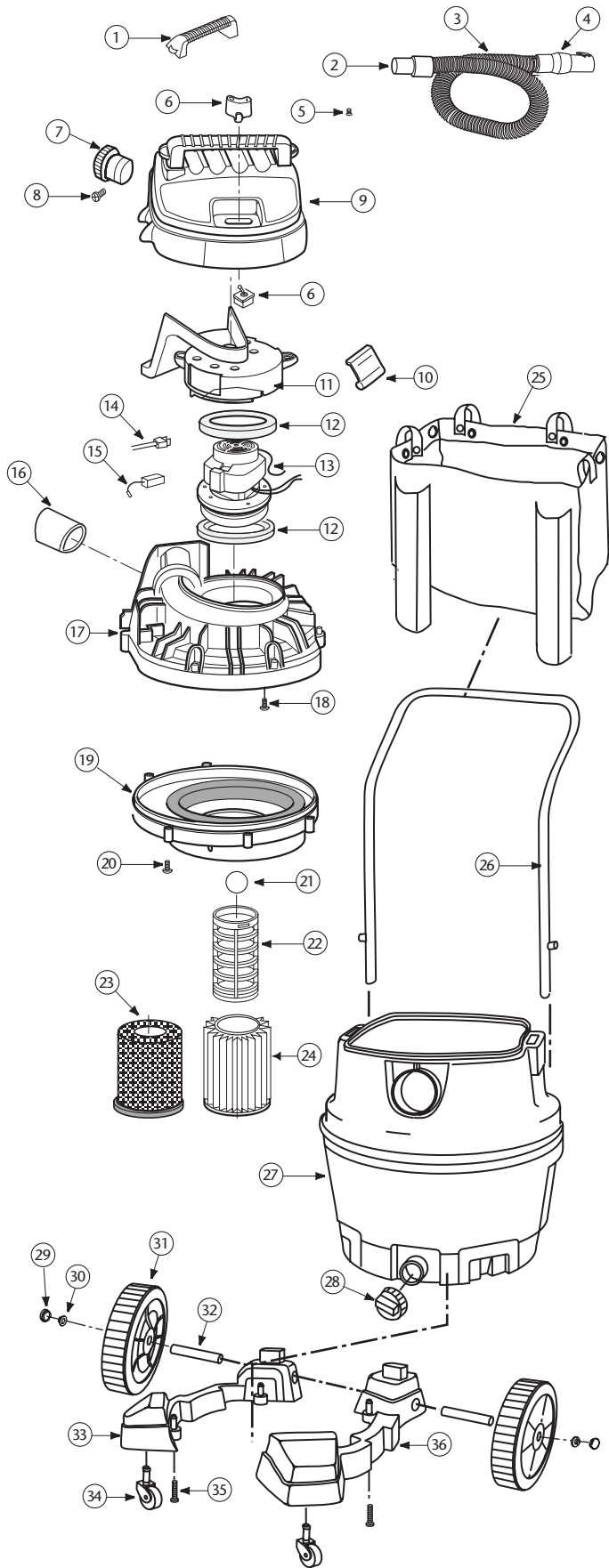
No.	Product Name	Qty	List Price
1	510094 Motor Cover Assembly	1 ea.	
2	830565-2 Handle Motor Cover	1 ea.	
3	820563-4 Screw Type AB #10 x 3/4"	1 ea.	
4	833600 Diffuser Assembly	1 ea.	
5	820563-4 Screw Type AB #10 x 3/4"	1 ea.	
6	510127 Switch Assembly	1 ea.	
7	831651 Duct Motor Exhaust/Cooling Fan	1 ea.	
8	820563-4 Screw Type AB #10 x 3/4"	1 ea.	
9	830609 Exhaust Foam Pad	1 ea.	
10	831653-3 Lid with Foam	1 ea.	
11	826453-2 Screw 10-32 x 3/4"	1 ea.	
12	833417 Power Cord Assembly	1 ea.	
13	822374-8 Carbon Brush Set	1 set	
14	831567 Motor Assembly Complete	1 ea.	
15	833518 Gasket Lid	1 ea.	
16	827415 Gasket Motor	1 ea.	
17	831659 Collector Assembly	1 ea.	
18	820563-4 Screw Type AB #10 x 3/4"	1 ea.	
19	833778 Ball Float	1 ea.	
20	830101-1 Filter Cage	1 ea.	
21	107177 Wet Filter	1 ea.	
22	833601 Tank, 10 Gallon	1 ea.	
23	833424-1 Drum Latch	1 ea.	
24	833492-1 Screw 10-32 x 3/4"	1 ea.	
25	833493 Washer (13/64 ID) #10	1 ea.	
26	161255-8 Nut Lock #10	1 ea.	
27	833425 Tank Inlet Adapter	1 ea.	
28	833426 Gasket Inlet Adapter	1 ea.	
29	833492 Screw 1-32 x 1 1/4"	1 ea.	
30	833493 Washer (13/64 ID) #10	1 ea.	
31	161255-8 Nut Lock #10	1 ea.	
32	73185 Drain Cap	1 ea.	
33	833429 Drain Adapter with Gasket	1 ea.	
34	833492-2 Screw 1-32 x 1 3/8"	1 ea.	
35	833493 Washer (13/64 ID) #10	1 ea.	
36	161255-8 Nut Lock #10	1 ea.	
37	833431 Caster 3"	1 ea.	
38	833432 50' Extension Cord	1 ea.	
39	107181 Intercept Micro Filter	3/pk	
40	107175 Qwik Lock Fine Dust Filter	1 ea.	
41	831577 Swivel Hose Cuff	1 ea.	
42	107198 Hose Assembly	1 ea.	
43	833587 Locking Ring Cuff	1 ea.	

PROGUARD 15/20 PARTS



No.	Product Name	Qty	List Price
1	510097 Motor Cover Assembly (ProGuard 15 only)	1 ea.	
	510104 Motor Cover Assembly (ProGuard 20 only)	1 ea.	
2	830565-2 Handle Motor Cover	1 ea.	
3	820563-4 Screw Type AB #10 x 3/4"	1 ea.	
4	833600 Diffuser Assembly	1 ea.	
5	820563-4 Screw Type AB #10 x 3/4"	1 ea.	
6	510127 Switch Assembly	1 ea.	
7	831651 Motor Exhaust Duct	1 ea.	
8	826453-2 Screw 10-32 X 3/4"	1 ea.	
9	830609 Exhaust Foam Pad	1 ea.	
10	831653-3 Lid	1 ea.	
11	820563-4 Screw Type AB #10 x 3/4"	1 ea.	
12	833417 Power Cord Assembly	1 ea.	
13	822374-8 Carbon Brush Set	1 set	
14	831567 Motor Assembly Complete	1 ea.	
15	833518 Gasket Lid	1 ea.	
16	827415 Gasket Motor	1 ea.	
17	831659 Collector Assembly with Foam	1 ea.	
18	820563-4 Screw Type AB #10 x 3/4"	1 ea.	
19	833778 Ball Float	1 ea.	
20	830101-1 Filter Cage	1 ea.	
21	107177 Wet Filter	1 ea.	
22	833603 Tank, 20 Gallon (ProGuard 20 only)	1 ea.	
23	833602 Tank, 15 Gallon (ProGuard 15 only)	1 ea.	
24	833424-1 Drum Latch	1 ea.	
25	833492-1 Screw 10-32 X 3/4"	1 ea.	
26	833493 Washer (13/64 ID) #10	1 ea.	
27	161255-8 Nut Lock #10	1 ea.	
28	833425 Tank Inlet Adapter	1 ea.	
29	833426 Gasket Inlet Adapter	1 ea.	
30	833492 Screw 10-32 X 1 1/4"	1 ea.	
31	833493 Washer (13/64 ID) #10	1 ea.	
32	161255-8 Nut Lock #10	1 ea.	
33	833451 Hose Drain Assembly 30" (includes #34)	1 ea.	
34	833452 Hose Clamp	1 ea.	
35	826881 Hose Clip	1 ea.	
36	808872-2 Screw 10-32 X 1 1/4"	1 ea.	
37	833449 Cap Rubber Drum Pour Spout	1 ea.	
38	833450 Pour Spout Cable Lanyard	1 ea.	
39	833492 Screw 10-32 X 1 1/4"	1 ea.	
40	833493 Washer (13/64 ID) #10	1 ea.	
	833492-1 Screw 10-32 x 3/4" (not pictured)	1 ea.	
41	161255-8 Nut Lock #10	1 ea.	
42	833465 Handle, Cart Base	1 ea.	
43	100371 Cap	1 ea.	
44	832397-1 Screw Hex 3/8-16 X 3 3/4"	1 ea.	
45	833779 Cap Retainer	1 ea.	
46	805557-1 Washer 13/32 ID	1 ea.	
47	161255-2 Nut Lock 3/8-16	1 ea.	
48	833454 Bushing, Drum Hinge	1 ea.	
49	833456 Base, Cart	1 ea.	
50	833459 Wheel 10"	1 ea.	
51	833460 Wheel Spacer	1 ea.	
52	833662 Thumb Screw	1 ea.	
53	831024-3 Axle	1 ea.	
54	805466-3 Screw Hex HD 5/16-18 X 5/8"	1 ea.	
55	140755-12 Lock Washer Ext 5/16"	1 ea.	
56	833461 Axle Bracket	1 ea.	
57	140755-12 Lock Washer Ext 5/16"	1 ea.	
58	805466-3 Screw Hex HD 5/16-18 X 5/8"	1 ea.	
59	813836-1 Nut Washer Cap	1 ea.	
60	833462 Caster 4" w/Bearings	1 ea.	
61	140755-12 Lock Washer Ext 5/16"	1 ea.	
62	805466-3 Screw Hex HD 5/16-18 X 5/8"	1 ea.	
63	833463 Plate Pedal Lock	1 ea.	
64	140755-12 Lock Washer Ext 5/16"	1 ea.	
65	805466-3 Screw Hex HD 5/16-18 X 5/8"	1 ea.	
66	833432 50' Extension Cord	1 ea.	
67	107180 Intercept Micro Filter	3/pk	
68	107175 Qwik Lock Fine Dust Filter	1 ea.	
69	831577 Swivel Hose Cuff 1 1/2"	1 ea.	
70	107198 Hose Assembly	1 ea.	
71	833587 Locking Ring Cuff	1 ea.	

PROGUARD 16 MD PARTS



No.	Product Name	Qty	List Price
1	830565-2 Handle Motor Cover	1 ea.	
2	831577 Swivel Hose Cuff	1 ea.	
3	831337-6 Hose Assembly w/ Cuffs	1 ea.	
4	829900 Locking Ring Cuff	1 ea.	
5	820563-4 Screw Type AB #10 x 3/4"	1 ea.	
6	510127 Switch Assembly	1 ea.	
7	833600 Diffuser Assembly	1 ea.	
8	820563-4 Screw Type AB #10 x 3/4"	1 ea.	
9	510286 Motor Cover Assembly	1 ea.	
10	826387 Drum Latch	1 ea.	
11	831651 Duct Motor Exhaust/Cooling Fan	1 ea.	
12	827415 Gasket Motor	1 ea.	
13	831567 Motor Assembly Complete	1 ea.	
14	831657-1 Power Cord Assembly	1 ea.	
15	822374-8 Carbon Brush Set	1 set	
16	830609 Exhaust Foam Pad	1 ea.	
17	831653-1 Lid	1 ea.	
18	826453-2 Screw 10-32 x 3/4"	1 ea.	
19	831659 Collector Assembly	1 ea.	
20	820563-4 Screw Type AB #10 x 3/4"	1 ea.	
21	833778 Ball Float	1 ea.	
22	830101-1 Filter Cage	1 ea.	
23	107177 Quick Lock Wet Filter	1 ea.	
24	107175 Qwik Lock Fine Dust Cartridge Filter	1 ea.	
25	831668-1 Tote	1 ea.	
26	830686 Handle	1 ea.	
27	831660-2 Dust Drum Assembly	1 ea.	
28	73185 Drain Cap	1 ea.	
29	830611 Wheel Cap	1 ea.	
30	813836-1 Cap Nut 1/2"	1 ea.	
31	832190 8" Wheel Assembly (Includes: #29, 30)	1 ea.	
32	831024 Shaft	1 ea.	
33	830577 Caddy, Left	1 ea.	
34	832123 Caster	1 ea.	
35	820563-5 Screw Type "AB" #10 x 1-3/4"	1 ea.	
36	830576 Caddy, Right	1 ea.	
509944	Bag of Loose Parts (Not Shown) (includes: #29, 30, 34, 35)	1 kit	

INDEX

Part No.	Product Name	Page No(s).
73185	Drain Cap	55, 57
73316	Filter Nut	54
100014	Tetraseal	38, 39, 40, 43, 45, 46, 48
100030	Dome Filter w/Foam Media	38, 39, 40, 43, 46, 48
100078	Attachment Kit A	14, 26
100083	Floor Tool w/ Adjustable Nylon Brush	30, 36
100084	Replacement Brush - 11" Floor Tool (100083)	36
100092PT	Floor Tool w/ Adjustable Nylon Brush	30, 36
100093	Replacement Brush - 16" Floor Tool (100092PT)	36
100099	Replacement Nut - Aluminum Wands (100102, 100104, 101338, 106290)	36
100100	Replacement Ring - Aluminum Wands (100102, 100104, 101338, 106290, 106293)	36
100101	Replacement Sleeve - Aluminum Wands (100102, 100104, 101338, 106290)	36
100102	56" One-Piece, Two-Bend Aluminum Wand	29, 36
100104	60" Straight Extension Aluminum Wand	29, 36
100107PT	11" Crevice Tool	27, 28, 32
100108	17" Crevice Tool	26, 27, 28, 32
100109PT	28" Crevice Tool	26, 32
100110	3" Dust Brush	26, 27, 28, 32
100112	Reducer Cuff 1¼" to 1½"	36
100113	1" to 4" Overhead Pipe Cleaner	32
100114	4" to 8" Overhead Pipe Cleaner	32
100115	5" Upholstery Tool	26, 27, 28, 32, 36
100116	Replacement Nylon Brush - 5" Upholstery Tool (100115)	36
100117	11" Turbo Brush Tool	26, 30
100135	Turbo Brush Kit	26
100136	54" One-Bend Chrome Tapered Wand	26, 29
100137	Replacement Nut - Aluminum Wand (106293)	36
100141	Replacement Bumper - 14" Floor Tool (100147)	36
100144	Hard Floor Tool w/Scalloped Felt Brush	26, 28, 31, 36
100145	Replacement Felt - 14" Floor Tool - Straight (106194)	36
100146	Replacement Felt, Scalloped - 14" Floor Tool (100144 & 106194)	36
100147	14" Floor Tool w/Scallops	26, 27, 28, 30, 36
100150	36" One-Bend Bulk Pick-Up Tool	26, 28, 32
100155	12" Aluminum Gulper Floor Tool	27, 30
100163	High Filtration Vac Kit 1 ½"	18, 28
100167	13" Curved Chrome Wand	29
100171	Motor/Fan w/Rectifier and Crimps (400Hz)	43
100173	Carbon Brush Set for 400 Hz Motor	43
100174	Motor Rectifier	43
100180	Demo Duffle Bag	34
100197	Twist Cap (Purple)	38
100277	LineVacer HEPA w/ High Filtration Vac Kit 1 ½" (100163)	18
100280	LineVacer ULPA w/ High Filtration Vac Kit (100163)	18
100286	Top or Bottom Cap Latch Set: 3 Latches, 3 Locks w/6 Fastening Rivets, 6 Washers	48
100291	Intercept Micro Filters, (Closed Collar) fits LV, SCV HEPA, MV	33, 48
100297	Gasket Ring	48
100320	Twist Cap (Black) (MV)	40
100331	Intercept Micro Filters, (Open Collar) fits SCV HEPA, MV	33, 38, 40
100335	Motor Compression Ring w/Screws	38, 39, 40, 43, 48
100343	Foam Filter Media for Dome Filter; SQV HEPA, SCV HEPA, MV, LV, AV	34, 38, 39, 40, 43, 46, 48
100354	Strap Assembly Complete	38, 39, 40, 43, 45, 48
100356	Shoulder Strap Assembly	38, 39, 40, 41, 43, 45, 48
100357	Shoulder Strap Plastic Adjustment (Bottom)	38, 39, 40, 41, 43, 45, 48
100358	Shoulder Strap Plastic Adjustment Buckle (Top)	38, 39, 40, 41, 43, 45, 48
100359	Waist Belt	38, 39, 40, 43, 45, 48
100368	Motor Mounting System Set	38, 39, 40, 43, 45, 46, 48
100371	Cap	56
100374	Backplate Connection Set: 4 Screws w/Washers, Stand Offs	40, 48
100375	Barrel Nut Connection Set for Backplate (Replacement)	38, 39, 40, 43, 45, 48
100378	Compression Ring Screw Set: 4 Screws	38, 39, 40, 43, 45, 48
100379	Motor Ground Connection and Wire Clamp Set w/Screws	38, 39, 40, 43, 48
100380	Motor Crimp Set	38, 39, 40, 43, 48
100422	Motor/Fan (120 V) w/Crimps (Ametek Motor)	48
100424	Carbon Brush Set (Ametek Motor) (116311-00)	45, 48
100431	Intercept Micro Filters, fits SQV HEPA, QP BP HEPA, GCV, AV	33, 39, 43, 45
100505	Static-Dissipating Hose w/Straight Cuffs	37
100564	Micro Cloth Filter for SQV HEPA, QP BP HEPA, GCV, AV	33, 39, 43, 45
100565	Micro Cloth Filter for SCV HEPA, MV, LV	33, 38, 40, 48
100586	Bottom Bumper	38, 39, 43, 45
100597	Sound Muffler for Super CoachVac HEPA, CoachVac, MegaVac	34, 38, 40
100598	Squeezegees Blades for 107199 Tool	36
100614	Hard Floor Tool w/Horse Hair Brush	26, 28, 31, 36
100623	Hard Floor Tool w/ Nylon Brush	26, 27, 28, 31, 36
100628	Updated How to Be a Vacuum Specialist	35
100629	How to Be a Restroom Specialist	35
100630	Updated How to Coach a Successful Team	35

Part No.	Product Name	Page No(s).
100641	Power Cord Assembly Complete w/Strain Relief	38, 39, 40, 43, 45, 48
100694	Replacement Swivel Cuff (Black) 1½"	37, 38, 39, 40, 42, 43, 44, 45, 47, 48
100698	Sound Muffler for QuarterVac	34
100713	Replacement Nylon Brush - 14" Floor Tool (100623)	36
100714	Replacement Horse Hair Brush w/Brush, Washer and Screw - 14" Floor Tool (100614)	36
100716	Backplate (Black) Connection Set: 4 Screws w/Washers	38, 39, 43, 45
100719	Logo Banner	34
100727	Restaurant Kit	8, 12, 13, 27
100730	Paddle Tool	30
101092	Reducer Cuff 1½" x 1¼" For Hose	36
101122	How to Be a Light-Duty Specialist	35
101155	Replacement Nylon Brush - E-Z Glide 14" Floor Tool (101446)	36
101184	Stretch Hose w/Cuffs 1¼" (Black)	41
101220	High Filtration Discs for Dome Filter, One Pack of Two; SQV HEPA, SCV HEPA, MV, GCV, AV	34, 38, 39, 40, 43, 46
101338	56" Two-Piece, Two-Bend Aluminum Wand	26, 27, 28, 29, 36
101394	Ergonomic Wand Handles, Set	35
101436	Replacement Swivel Cuff (Black) 1¼"	41
101437	Replacement Fixed Hose Cuff (Black) 1½" - 1¼"	41
101445	Retro Kit - 14" E-Z Glide Floor Tool (fits 101446 Floor Tool & 100147) (purple bumper, brush & screws)	36
101472	Switch Box w/Velcro and New Lamb Switch	38, 39, 40, 43, 48
101473	Repair Clip with Screws - 14" Hard Floor Tool w/Nylon Brush (100623)	36
101475	Repair Kit - Felt Floor Tools: Support Bars and Screws	36
101532	50 Sleeves (1 pack of 50)	35
101533	500 Sleeves (10 packs of 50)	35
101543	Filter Guard	38, 40
101610	Switch Cord Assembly 120V	38, 39, 40, 43, 48
101611	Velcro Cord Strap	35
101613	JetSweep 20 Hard Floor Tool w/ Nylon Brush	31, 36
101615	Replacement Blue Bumper for Jet Sweep 20 (101613)	36
101678	50' 16-Gauge Extension Cord (Yellow)	35, 37, 38, 39, 40, 41, 42, 43, 44, 45, 46, 48
101705	Stretch Hose w/Cuffs 1½" (Black)	41
101714	Switch Cord w/Crimps	38, 39, 40, 48
101715	Switch Cord w/Crimps	43
101716	Switch Cord Assembly Complete 120V	48
101717	Switch Cord Assembly Complete w/Switch and Box	43
101720	Carbon Brush Set (Ametek Motor)	37, 38, 39, 40, 42
101737	Carry Handle w/Rivet and Washer Set	37, 38, 39, 40, 43, 45, 47, 48
101829	Hard Surface Flooring Kit A	2, 3, 26
101880	Replacement Nylon Brush - JetSweep 20, 20" Hard Floor Tool, Set of Two (101613)	36
101928	Replacement Double Swivel Elbow Cuff 1½"	37, 38, 39, 40, 43, 45, 47, 48
101949	Foam Filter Media for Dome Filter; QP CN HEPA, RV, PV CN	34, 42, 44
102127	Small Strain Relief	44
102266	Two-Piece, One-Bend, Friction Fit Wand	28, 29
102361	17" Two-Piece, Straight Plastic Wand	26
102399	Vibrating Upholstery Tool	26
102604	Cord Holder	35, 37, 38, 39, 40, 41, 43, 45, 48
102659	Long Dust Brush	32
102663	Mesh Bag	26
102684	Electronic Cleaning Kit	26
102715	Replacement Double Swivel Elbow Cuff 1¼"	43, 46, 47
102761	High Filtration Discs for Dome Filter, One Pack of Two; RV, QP CN, PV CN	34, 42, 44
102784	Dome Filter w/Filter Media	42, 44
102947	Vac Station (includes mounting hardware)	35
103024	AviationVac w/ Aviation 1¼" Kit #2 (103222)	7
103032	JetSweep 15 Carpet Tool	30
103048	Static-Dissipating Hose (Black) w/Cuffs 1½"	37, 38, 39, 40, 43, 45, 47, 48
103071	Mounting Hardware Complete	35
103084	Natural Fiber Hard Floor Tool	31, 36
103085	12" Carpet Tool w/ Scallops	27, 30, 32
103087	Upholstery Tool w/Removable Brush (103088)	27, 32, 36
103088	Removable Brush - 5½" Upholstery Tool (103087)	27, 36
103089	Dust Brush, Rectangular 90/180° Swivel	26, 27, 32
103099	1¼" Adapter Cuff	26, 27, 36
103114	Swivel Caster (Front Wheel)	42, 44
103115	Micro Cloth Filter for QuietPro CN HEPA, RunningVac, ProVac CN	33, 42, 44
103117	Tool Dock	42, 44
103121	Motor Mount	42, 44
103123	Exhaust/Sound Filter for RunningVac, ProVac CN	34, 42
103124	Foam Inlet Damper A	42, 44
103125	Foam Inlet Damper B	42, 44
103150	Replacement Long Swivel Cuff (Black) 1½"	42, 44
103166	Backplate (Black) System Complete	38, 39, 40, 43, 45, 48
103172	78" Static Dissipating Hose w/Cuffs (Black) 1½"	42, 44
103212	Wire Harness Assembly: 3 Wires and Strain Relief	42
103215	Power Cord Assembly w/Locknut and Washer	42, 44

Part No.	Product Name	Page No(s).
103220	ProVac CN w/ Restaurant Kit (100727)	12
103222	Aviation 1¼" Kit #2	7, 27
103236	Motor Seal	42, 44
103237	Static-Dissipating Hose w/Cuffs (Black) 1¼"	43, 47
103256	Rear Foam Diffuser	42, 44
103266	Motor Mount and Vented Exhaust Cover Screw Kit	42, 44
103267	Rear Wheel Assembly Kit: 2 Wheels, 2 Spacers, 2 Screws	42, 44
103268	Rear Wheel Mounting Screw Kit: 2 Screws	42, 44
103279	Replacement Swivel Cuff (Black) 1¼"	43, 47
103318	Top Cap, Black	42, 44
103327	On/Off Switch	42
103360	Cover Assembly, Vented Exhaust	42
103439	Pest Control Kit	3, 26
103441	Cord Lock (ProVac CN, RunningVac)	35, 42, 44
103483	Intercept Micro Filters, fits ProForce	33, 53
103505	13" Curved Chrome Wand	26, 27, 29
103523	24" Crevice Tool (Flexi-Clean)	26
103531	Foam, Sound, Motor Housing, Rear Panel	52
103532	Foam, Sound, Motor Housing, Front Panel	52
103533	Foam, Sound, Motor Housing, Left Panel	52
103545	Conical Washer for Swivel Caster	42, 44
103608	Turbo Brush	28, 30
103617	Complete 36V Motor Assembly w/Seal, Compression Ring and Control Module	46
103623	Electrified Hose, 1¼" x 20' Long, 2-Wire	46
103627	Sternum Strap Buckles (Latch and Keeper)	38, 39, 40, 41, 43, 45, 48
103638	HEPA Filter Assembly w/Electrical Connector for QuietPro CN HEPA	33, 44
103718	Hose Wrap, Blk	46
103731	Carbon Brush Set for 36V motor	46
103732	36V Motor w/Crimps, Replacement	46
103916	Receptacle, 2-Wire w/Crimps	46
103974	Bushing w/Holder	36
103975	Brush Arm, Set of 2	36
104011	1¼" Neck Assembly Complete	36
104012	1½" Neck Assembly Complete	36
104016	Rear Axle, Set of 2	36
104017	Back Wheel, Set of 2	36
104018	Front Axle, Set of 2	36
104019	Front Wheel, Set of 2	36
104020	Belt	36
104021	Bottom Cover	36
104022	Squeegee	36
104023	Belt Guard	36
104024	Brush Roller Assembly	36
104029	Vac Display Mannequin	34
104152	How to Be a Utility Specialist in Carpet Care	35
104160	Floor Mat	34
104212	Circuit Breaker	52
104216	Brush Roll, Power Nozzle, 14"	52
104217	Belt, Drive, F/Brush Roll	52
104218	Bumper, Power Nozzle, Vinyl	52
104221	Baseplate, Power Nozzle	52
104224	Cover, Air Duct, Power Nozzle	52
104226	Board, Vacuum Operation Indicator	52
104227	Sleeve, Hose, Air Duct	52
104230	Hose, Power Nozzle to Air Duct, Lower	52
104232	Latch, Release, Bag Cover	53
104233	Spring, Release Button, F/Bag Cover Latch	53
104234	Cover, Bag Housing, Grey F/XP	53
104235	Seal, Transition Duct/Bag Cover, Upper	53
104236	Duct, Transition, Bag Cover, F/XP	53
104238	Seal, Transition Duct/Bag Cover Nozzle Plate, Lower	53
104239	Plate, Bag Cover Nozzle, F/XP	53
104241	Gasket, Bag Cover	53
104242	Spring, Bag Cover Latch	53
104243	Plate, Bag Cover Latch	53
104246	Exhaust Filter Cover (ProForce)	34
104247	Motor Mount, Lower Nitrile	52
104249	Motor Mount, Upper Nitrile	52
104250	Air Duct	52
104253	Seal, Lower Air Duct, Nitrile	52
104259	Plate, Handle Nut	53
104260	Guide, Wand, Upper Right	52
104261	Guide, Wand, Upper Left	52
104263	Switch, Wand Lockout	52
104264	Bushing, Handle Tube	53
104266	Screw, Handle Assembly	53
104267	Screw, Phillips, 4mm x 12mm F/Lower Air Duct	52

Part No.	Product Name	Page No(s).
104268	Bracket, Cord Wrap	53
104269	Spring, Compression, Cord Wrap Bracket	53
104270	Washer, Compression Spring, Cord Wrap Bracket	53
104271	Screw, Cord Wrap, M4 x 45mm, Phillips Round Head	53
104272	Receptacle Screw Set	46
104273	Twist Cap (Black)	43, 45, 46
104274PT	True HEPA Filter Assembly Complete w/Bottom Cap for LineVac® (Black)	33, 48
104275	True ULPA Filter Assembly Complete w/Bottom Cap for LineVac® (Black)	33, 48
104276	Latch Cap w/Cuff (Black)	48
104279	Switch, Safety, Power Nozzle Lockout	52
104281	Filter, Double Layer Motor Intake	33, 53
104282	Cover, Switch, Filter Lock-out	53
104283	Switch, Filter, Lock-Out	53
104284	Cord, Power, w/Strain Relief, 50' Yellow	53
104294	Wand, F/XP	53
104306	Wheel, Rear	52
104419	Screw, #8 x 1/2", Phillips, Hi/Lo	45
104491	Rivet F/Bag Housing Assembly	53
104493	Screw, Phillips, 4.2mm x 35mm	53
104495	Screw, Phillips, 4mm x 19mm F/Powerhead	52
104496	Screw, Phillips, 3.5mm x 13mm, F/Brush Retainer	52
104497	Screw, Phillips, 4mm x 35mm F/Base Cover	52
104498	Grommet, Vibration, Power Nozzle Motor, Nitrile	52
104499	Retainer, Brush Roll	52
104500	Brace, Formed Wire, F/Power Nozzle Base	52
104503	Clamp, Rear Wheel	52
104504	Bearing, Pivot	52
104505	Screw, Phillips, 4mm x 9.5mm	53
104506	Motor, Power Nozzle with Crimps	52
104507	Spring, Detent, Upright Lock	52
104509	Screw, Phillips, 4mm x 16mm x .07 Pitch, F/Handle Assembly	53
104544	Intercept Micro Filters, fits QuietPro CN HEPA, RunningVac, ProVac CN	33, 42, 44
104738	Seal, Gasket, Bag Housing	53
104832	Replacement Crevice Tool	32
104833	Combo Upholstery/Dust Brush	32
104885	GoCart Kit A	17, 27
104957	Motor Assembly w/Jumpers	52
104961	Hose, Assembly w/Cuffs, F/XP	53
104998	Bottom Twist Cap Gasket (MV)	40
105044	Motor Shroud/Diffuser w/Screw Set: 2 Screws	38, 39, 40, 43, 48
105046	Backplate	38, 39, 40, 43, 45, 48
105047	Receptacle Assembly for Powerhead	42
105070	Bottom Twist Cap (Black) (MV)	40
105075	Screw, Phillips, 2.9mm x 13mm, F/Switch Cover	53
105091	Clasp, Strain Relief Kit w/Fastener	53
105136	Filter, Exhaust, HEPA Media	33
105147	Switch, Rocker, On/Off	53
105149	Cap, Motor	45
105150	Exhaust Housing, Motor	45
105162	Motor/Fan (120 V) w/Crimps	38, 39, 40
105164	Carbon Brush Set (Domel Motor)	38, 39, 40, 42
105281	Carbon Brush Set for ProForce Motor	52
105320	Fastener	53
105337	Ring, Motor Housing, Large	45
105341	Cover, Motor Housing	45
105342	Foam, Ring, Motor Housing	45
105343	Foam, Cover, Motor Housing	45
105371	Screw, Phillips, 4.2mm x 19mm, F/Power Nozzle Motor	52
105430	Upper Foam Compression Ring	42, 44
105438	On/Off Switch (Hi/Lo)	45
105486	Filter Cover Kit w/Riveted Hinge and 6 Rivets	53
105488	Motor Housing Sound Filter	52
105489	Air Duct Kit	52
105490	Wand Kit	52
105496	Battery Control Module	46
105573	Quick Release Hose Cuff	53
105605	Gasket, Motor	45
105613	Motor Mount	45
105619	Motor Mount Assembly	45
105620	Kit, Housing, Exhaust, Motor F/QuietPro	45
105621	Kit, Foam, Acoustical Panels	45
105622	Kit, Exhaust, Foam and Ring	45
105623	Kit, Cover, Exhaust F/QuietPro	45
105653	Dual Speed Module and Schematic with Thermal Protector	44, 45
105687	Motor/Fan (120V)	42
105691	18" Sidewinder Carpet Tool	27, 30
105692	18" Sidewinder Hard Floor Tool w/ Nylon Brush	31

INDEX

Part No.	Product Name	Page No(s).
105693	59" Two-Piece Friction Fit Aluminum Sidewinder Straight Wand	27, 29
105695	59" One-Piece Friction Fit Aluminum Sidewinder Straight Wand	29
105697	Carbon Brush Set (Domel Motor)	44, 45, 48
105722	Motor, (120V), 2 Stage	45
105733	QuietPro BP HEPA / Attachment Kit A (100078)	14
105748	Switch Cord Assembly Complete F/QuietPro	45
105754	Wire Harness Kit	52
105760	Thermal Protector	52
105790	2 Wire Electrified Hose Cord (15")	46
105800	Sound Muffler for Super QuarterVac HEPA, AviationVac, ProVac BP	34, 39, 43
105828	Battery, Lead Acid, 12V, 37AH	46
105889	Hard Surface Flooring Kit C	2, 26
105891	Hard Surface Flooring Kit D	2, 26
105892	MegaVac w/ Blower Kit A (106984)	6
105896	MegaVac w/ Blower Kit B (106986)	6
105948	Noise Suppression Foam	44
105949	Noise Suppression Filter Assembly	44
105973	On/Off Switch	45
105991	On/Off Switch (2 Stage)	44
106033	Wall Bracket and Screws	35
106064	Replacement Brush - 12" Floor Tool (103084)	36
106066	On/Off Switch (Must be Used with 106287)	37, 38, 39, 40, 41, 43, 47, 48
106073	Twist Cap (Purple)	39
106107	Ground Jumper	44
106110	Gasket	42
106194	Hard Floor Tool w/ Felt Brush Scalloped & Flat	26, 31, 36
106203	Wire Harness Assembly: 3 Wires and Strain Relief	44
106209	GoCartVac w/ GoCart Kit A (104885)	17
106211	Box, Sound w/Corner Rails	46
106213	Cart Assembly Complete	46
106214	Kit, Mounting Hardware	46
106215	Kit, Box Assembly	46
106216	Kit, Battery Wiring Harness	46
106217	Kit, Receptacle	46
106218	Kit, Charger, 36V, 18.5A, w/Terminals	46
106219	Kit, Power Receptacle Cord	46
106241	Kit, Receptacle for Box Assembly	46
106245	15" Sidewinder Carpet Tool	27, 30
106246	15" Sidewinder Hard Floor Tool	27, 31
106261	6' Static Strap Kit (ProForce)	35
106277	Harness, Charging w/Connectors	46
106278	Harness, Battery	46
106279	Lead, Wire, Battery, Red, #8AWG, w/Terminals	46
106280	Lead, Wire, Battery, Fusible Link, Replacement #8AWG, w/Terminals	46
106281	Switch Assembly w/Crimps	46
106283	Kit, Attachment Hardware for Charger and Box Assembly	46
106284	Kit, Vacuum Attachment Hardware for Cart	46
106287	Switch Box w/Velcro and Screws	38, 39, 40, 43, 45, 48
106290	Telescoping Wand	26, 29, 36
106293	49" Aluminum One-Piece, Two-Bend Wand	27, 29, 36
106297	Rear Wheel Set w/Axle	46
106298	Front Wheel	46
106343	24"-40" Chrome Telescoping Wand	26, 27, 29, 36
106345	Waist Belt Extension (10") Nifco	35
106346	Waist Belt Extension (18") Nifco	35
106502	Aviation 11/2" Kit #1	7, 27
106525	Screws, Set of 2	36
106526	HEPA Dome Filter (Fits all Backpacks except TailVac and Super Coach Pro)	33, 38, 39, 45
106542	AviationVac w/ Aviation 11/2" Kit #1 (106502)	7
106550	Switch Replacement	46
106617	Handle Kit	53
106618	Handle, Tube Assembly Complete, F/XP	53
106619	Handle/Bezel Assembly (PF 1500XP)	53
106709	10" Multi-Surface Floor Tool	26, 27, 30
106719	Waist Belt Keeper and Latch	38, 39, 40, 43, 45, 48
106739	Handle Bezel (PF 1500XP)	53
106793	8" Sidewinder Hard Floor Tool w/ Horse Hair Brush	31
106820	Sidewinder Kit A	2, 3, 27
106841	Sidewinder Kit B	2, 3, 27
106889	Top Cap, Purple	42
106904	Carbon Brush Set (Ametek Motor) (122157-00)	44, 48
106919	Motor/Fan (120V) w/Crimps (Ametek Motor)	44
106928	Exhaust Muffler	34, 46
106960	Intercept Micro Filters, (Open Collar) fits Super HalfVac Pro	33, 41
106961	Replacement Sleeve w/Rivets - Aluminum Wand (106293)	36
106973	Intercept Micro Filters, (Closed Collar) fits Super HalfVac Pro	33, 41

Part No.	Product Name	Page No(s).
106984	Blower Kit A	6, 28
106986	Blower Kit B	6, 28
106993	Blower Tool	28, 32
106995	Intercept Micro Filters, (Closed Collar) fits SQV HEPA, QP BP HEPA, GCV, AV	33
107005	HEPA Replacement Cartridge for SHV Pro, PF HEPA and ProGen	33, 41, 51, 52
107015	Xover Performance Floor Tool	26, 28, 30
107016	Xover Floor Tool	26, 28, 30
107020	Replacement Hose - Sidewinder Floor Tool	36
107040	Micro Cloth Filter for Super HalfVac Pro	33, 41
107043	Switch Box	41, 47
107047	Waist Belt w/Plate	41
107048	Stabilization Strap w/Screw	41
107049	Length Adjustment Strap Kit w/Buckles	41
107050	Waist Belt, Complete, w/Mounting Hardware	41
107051	D-Ring	41
107052	Waist Belt Assembly & Upper Housing Screw Kit	41
107054	Plastic Dome Filter	41
107059	HEPA Filter Housing (older style)	41
107060	Foam Filter Media for Dome Filter; Super HalfVac Pro	34, 41
107076	Shoe Kit (Xover Performance Floor Tool)	36
107077	Brush Strip (Xover Floor Tool)	36
107078	Shoe Kit (Xover Floor Tool)	36
107084	Waist Belt Extension for Super HalfVac and TailVac	35
107093	Impact Bumper	53
107097	Xover Performance Floor Tool Kit A	4, 5, 26
107098	Xover Floor Tool Kit B	2, 3, 4, 5, 8, 16, 26
107099	Xover Performance Floor Tool Kit C	2, 3, 4, 5, 7, 8, 9, 12, 14, 15, 16, 18, 26
107100	Xover Floor Tool Kit D	2, 3, 4, 5, 7, 8, 9, 12, 14, 15, 16, 18, 26
107103	Super QuarterVac HEPA w/ Xover Performance Floor Tool Kit A (107097)	5
107104	Super CoachVac HEPA w/ Xover Performance Floor Tool Kit A (107097)	4
107108	Super QuarterVac HEPA w/ Xover Floor Tool Kit B (107098)	5
107109	Super CoachVac HEPA w/ Xover Floor Tool Kit B (107098)	4
107113	Super QuarterVac HEPA w/ Xover Performance Floor Tool Kit C (107099)	5
107114	Super CoachVac HEPA w/ Xover Performance Floor Tool Kit C (107099)	4
107118	Super QuarterVac HEPA w/ Xover Floor Tool Kit D (107100)	5
107119	Super CoachVac HEPA w/ Xover Floor Tool Kit D (107100)	4
107125	Button Lock Repair Kit Telescoping Wand (106343)	36
107128	ProGuard 4 Portable w/ 4 Gallon Tool Kit (107184)	21
107129	ProGuard 10 w/ Wet/Dry Tool Kit (107187)	22
107130	ProGuard 15 w/ Wet/Dry Tool Kit (107187) (no squeegee)	24
107131	ProGuard 20 w/ Wet/Dry Tool Kit (107187) (no squeegee)	25
107132	ProBlitz AirMover	19
107133	ProBlitz XP AirMover	19
107137	MegaVac w/ Xover Performance Floor Tool Blower Kit D (107160)	6
107138	MegaVac w/ Xover Floor Tool Blower Kit E (107159)	6
107141	LineVac HEPA w/ Xover Performance Floor Tool Kit C (107099)	18
107142	LineVac HEPA w/ Xover Floor Tool Kit D (107100)	18
107145	QuietPro Bp HEPA w/ Xover Performance Floor Tool Kit C (107099)	14
107146	QuietPro BP HEPA w/ Xover Floor Tool Kit D (107100)	14
107149	RunningVac w/ Xover Performance Floor Tool Kit C (107099)	9
107150	RunningVac w/ Xover Floor Tool Kit D (107100)	9
107151	QuietPro CN HEPA w/ Xover Performance Floor Tool Kit C (107099)	15
107152	QuietPro CN HEPA w/ Xover Floor Tool Kit D (107100)	15
107153	ProVac CN w/ Xover Performance Floor Tool Kit C (107099)	12
107154	ProVac CN w/ Xover Floor Tool Kit D (107100)	12
107155	AviationVac w/ Xover Performance Floor Tool Kit C (107099)	7
107156	AviationVac w/ Xover Floor Tool Kit D (107100)	7
107159	Xover Floor Tool Blower Kit E	6, 28
107160	Xover Performance Floor Tool Blower Kit D	6, 28
107161	LineVac HEPA w/ Turbo Brush Kit (107162)	18
107162	Turbo Brush Kit	18, 28
107163	1200XP Brush Roll, Power Nozzle, 12"	52
107166	1200XP Bumper, Power Nozzle, Vinyl	52
107167	1200XP HEPA Baseplate, Power Nozzle	52
107175	Qwik Lock Fine Dust Cartridge Filter, fits ProGuard 10/15/16/20	34, 55, 56, 57
107176	Qwik Lock HEPA Media Filter, fits ProGuard 10/15/16/20	34
107177	Qwik Lock™ Wet Filter, fits ProGuard 10/15/16/20	34, 55, 56, 57
107178	Qwik Lock Fine Dust Cartridge Filter, fits ProGuard LI 3/4	34, 54
107180	Intercept Micro Filters, One Pack of 3 fits ProGuard 15/20 (Case = 6 packs)	33, 56
107181	Intercept Micro Filters, One Pack of 3 fits ProGuard 10/10 HEPA (Case = 6 packs)	33, 55
107182	Intercept Micro Filters, One Pack of 3 fits ProGuard 4 (Case = 6 packs)	33, 54
107184	ProGuard 4 Tool Kit	21, 28
107185	Front Mount Squeegee	24, 25, 31
107186	Front Mount Squeegee Replacement Blade Set	31, 36
107187	Wet/Dry Tool Kit	22, 23, 24, 25, 28
107188	Ext. Handle Curved	28, 29
107189	Master Floor Tool	28, 31

Part No.	Product Name	Page No(s).
107190	Ext. Handle Straight	28, 29
107191	Carpet Insert	28, 31
107192	Floor Brush Insert	28, 31
107193	Squeegee Insert	28, 31
107194	Crevice Tool	28, 32
107195	Dust Brush	28, 32
107196	Claw Nozzle	28, 32
107197	Hose Assembly	54
107198	Hose Assembly	55, 56
107199	Squeegee Tool	28, 31
107203	Cord Retention Clip	53
107220	Replacement Swivel Cuff (Black) 1½"	41
107251	ProForce 1200XP HEPA	11
107252	ProForce 1500XP HEPA	11
107255	1500XP HEPA Bulkhead, Dark Grey	52
107256	Handle, Carry w/Tool Caddy, F/XP (HEPA)	53
107257	1500XP HEPA Motor Housing, Charcoal	52
107258	1500XP HEPA Cover, Filter Cartridge, Charcoal	52
107260	1500XP HEPA Bag Housing Assembly, Grey w/Riveted Hinge & Decal Incl: Bag Cover Nozzle Plate	53
107282	1500XP HEPA Power Nozzle Cover w/Detent Springs & Deca	52
107283	1200XP HEPA Power Nozzle Cover w/Detent Springs & Decal	52
107285	1200XP HEPA Bag Housing Assembly, Grey w/Riveted Hinge & Decal Incl: Bag Cover Nozzle Plate	53
107290	GoCart Kit B	17, 27
107291	Xover Performance Floor Tool w/ 1½" Adapter	27
107292	GoCartVac w/ GoCart Kit B (107290)	17
107294	Thermal Protector	38, 39, 40, 42, 43, 46, 48
107300	Carpet Clamp Kit	19
107303	Super Coach Pro 10 w/ Xover Floor Tool Kit D (107100)	2
107304	Super Coach Pro 10 w/ Xover Floor Tool Kit B (107098)	2
107305	Super Coach Pro 10 w/ Xover Performance Floor Tool Kit C (107099)	2
107306	Super Coach Pro 10 w/ Hard Surface Flooring Kit A (101829)	2
107307	Super Coach Pro 6 w/ Xover Performance Floor Tool Kit C (107099)	3
107308	Super Coach Pro 6 w/ Xover Floor Tool Kit B (107098)	3
107309	Super Coach Pro 6 w/ Hard Surface Floor Kit A (101829)	3
107310	Super Coach Pro 6 w/ Xover Floor Tool Kit D (107100)	3
107313	Intercept Micro Filters, fits Super Coach Pro 10	33, 37
107314	Intercept Micro Filters, fits Super Coach Pro 6, GoFree Flex Pro, ProVac FS 6 (Open Collar)	33, 37, 47
107315	SCP 10, SCP 6, GoFree Flex Pro, ProVac FS 6 HEPA Filter (2 pack)	33, 37, 47
107325	Super HalfVac Pro w/ Xover Floor Tool Kit D (107100)	8
107327	Super HalfVac Pro w/ Xover Floor Tool Kit B (107098)	8
107328	Super HalfVac Pro w/ Xover Performance Floor Tool Kit C (107099)	8
107329	ProGen 12	10
107330	ProGen 15	10
107336	Hard Surface Flooring Kit B	2, 26
107337	Blower Kit C	6, 28
107338	Super Coach Pro 10 w/ Hard Surface Flooring Kit B (107336)	2
107339	Super Coach Pro 10 w/ Hard Surface Flooring Kit C (105889)	2
107340	Super Coach Pro 10 w/ Sidewinder Kit A (106820)	2
107341	Super Coach Pro 10 w/ Sidewinder Kit B (106841)	2
107342	Super Coach Pro 10 w/ Hard Surface Flooring Kit D (105891)	2
107343	Super Coach Pro 6 w/ Sidewinder Kit A (106820)	3
107344	Super Coach Pro 6 w/ Sidewinder Kit B (106841)	3
107345	MegaVac w/ Blower Kit C (107337)	6
107359	ProGuard 15 w/ 107187 Kit & Front Mount Squeegee	24
107360	ProGuard 20 w/ 107187 Kit & Front Mount Squeegee	25
107363	ProVac FS 6 w/ Restaurant Kit (100727)	13
107371	Super Coach Pro 6 w/ Pest Control Kit (103439)	3
107374	Intercept Micro Filters, fits SCP 6, GoFree Flex Pro, ProVac FS 6 (Closed Collar)	33, 47
107377	Intercept Micro Filters, fits ProGen (Case = 15 packs)	33, 51
107385	Super HalfVac Pro w/ Restaurant Kit (100727)	8
107386	ProGuard 16 MD w/ Wet/Dry Tool Kit (107187)	23
107463	Sidewinder Kit C	2, 3, 27
107464	Super Coach Pro 6 w/ Sidewinder Kit C (107463)	3
107465	Super Coach Pro 10 w/ Sidewinder Kit C (107463)	2
107466	Remediation Kit	2, 3, 18, 26
107467	Super Coach Pro 6 w/ Remediation Kit (107466)	3
107468	Super Coach Pro 10 w/ Remediation Kit (107466)	2
107471	LineVacer HEPA w/ Remediation Kit (107466)	18
107476	Battery Charger and Charger Cord	16, 47
107490	ProGuard 3 Charger	20, 54
107495	ProGuard LI 3 Cordless	20
107496	ProGuard 3 Battery Assembly	20, 54
107507	GoFree Flex Pro 12Ah w/ Xover Kit D (107100)	16
107508	GoFree Flex Pro 12Ah w/ Xover Kit D (107100)	16

Part No.	Product Name	Page No(s).
107509	GoFree Flex Pro 12Ah w/ Xover Floor Tool Kit B (107098)	16
107513	12Ah Replacement Battery	16, 47
107527	ProBlade Carpet Floor Tool	27, 30
107528	ProBlade Hard Surface Floor Tool	27, 31
107529	Telescoping Straight Wand	27, 29, 30, 31
107530	ProBlade Carpet Floor Tool Kit	2, 3, 16, 27
107531	ProBlade Hard Surface Floor Tool Kit	2, 3, 16, 27
107532	ProBlade Carpet & Hard Surface Floor Tool Kit	2, 3, 16, 27
107533	Super Coach Pro 6 w/ ProBlade Carpet Floor Tool Kit (107530)	3
107534	Super Coach Pro 6 w/ ProBlade Hard Surface Floor Tool Kit (107531)	3
107535	Super Coach Pro 6 w/ ProBlade Carpet & Hard Surface Floor Tool Kit (107532)	3
107536	Super Coach Pro 10 w/ ProBlade Carpet Floor Tool Kit (107530)	2
107537	Super Coach Pro 10 w/ ProBlade Hard Surface Floor Tool Kit (107531)	2
107538	Super Coach Pro 10 w/ ProBlade Carpet & Hard Surface Floor Tool Kit (107532)	2
107539	GoFree Flex Pro w/ ProBlade Carpet Floor Tool Kit (107530)	16
107540	GoFree Flex Pro w/ ProBlade Hard Surface Floor Tool Kit (107531)	16
107541	GoFree Flex Pro w/ ProBlade Carpet & Hard Surface Floor Tool Kit (107532)	16
140755-12	Lock Washer Ext 5/16"	56
161255-2	Nut Lock 3/8-16	36, 56
161255-8	Nut Lock #10	55, 56
450017	Adjusting Nut for Telescoping Wand (106290)	36
509776-19	Motor Assembly	54
509944	Bag of Loose Parts	57
510094	Motor Cover Assembly	55
510097	Motor Cover Assembly (ProGuard 15 only)	56
510104	Motor Cover Assembly (ProGuard 20 only)	56
510106	Tank (with Inlet)	54
510108	Filter Cage and Float Assembly	54
510109	Casters	54
510121	Power Head	54
510122	Battery Cover/Hinge	54
510124	Blower Wheel, Washer, Spacer, Nut	54
510127	Switch Assembly	54, 55, 56, 57
510140	Wheel Assembly (ProBlitz XP only)	49
510141	Switch & Knob Assembly	49
510179	Latch and Retainer w/Lock Nut & Screw	37, 47
510180	Gasket for Tank	37
510181	Gasket for Tank	37, 47
510183	Dome Filter (SCP 10, SCP 6, GoFree Flex Pro, ProVac FS 6)	37, 47
510184	Foam Filter Media for Dome Filter; SCP 10, SCP 6, GFFP, ProVac FS 6	34, 37, 47
510185	Cover Wire w/ 2 screws	37, 47
510188	Housing Assembly Lower w/Screws	37, 47
510191	Sternum Strap Buckle (latch and keeper)	37, 47
510192	Tensioning Straps	37, 47
510193	Upper Motor Support w/Gasket	37, 47
510194	Lower Motor Support (5 screws)	37, 47
510212	Bag Housing w/Decals	41
510213	Motor Assembly	41
510214	Overlap Housing w/Screws	41
510215	Upper Motor Support w/Gasket	47
510216	Housing Assembly Lower w/Screws	47
510217	Lower Battery Housing	47
510218	Upper Battery Housing	47
510219	Battery Support	47
510220	Lead Assembly w/Screw	47
510221	Actuator w/Washer, Screw, Springs	47
510224	Switch and Switch Cover	54
510225	Motor Cover and Top Handle	54
510227	Upper Housing w/Screws & Washers	41
510252	Hose Power Head Assembly	50
510258	Extension Tube Assembly	51
510259	Hose Assembly	51
510286	Motor Cover Assembly	57
510298	GoFree Pro Motor Conversion Kit	47
510301	Waist Belt Buckles and Straps Set	37, 47
805466-3	Screw Hex HD 5/16-18 X 5/8"	56
805557-1	Washer 13/32 ID	56
808380-0	Screw Pan CR #8 x ½"	37, 47
808380-22	Screw Pan CR #8 x ¾"	37, 47
808872-2	Screw 10-32 X 1 ¼"	56
813836-1	Nut Washer Cap	56, 57
820563-4	Screw, Type AB #10 x ¾"	54, 55, 56, 57
820563-5	Screw Type "AB" #10 x 1-3/4"	57
820563-7	Screw, Type AB #10 x ¾"	49
820563-13	Screw, Type AB #10 x 1"	49
822374-8	Carbon Brush Set	55, 56, 57
826387	Tank Latch	54, 57

INDEX

Part No.	Product Name	Page No(s).	Part No.	Product Name	Page No(s).
826453-2	Screw 10-32 x 3/4"	55, 56, 57	833674	Motor	49
826881	Hose Clip	56	833675	Cord w/Plug	49
827415	Gasket Motor	55, 56, 57	833690	Foot Bumper	49
829719-4	Cord Assembly	54	833691	Retractable Handle (ProBlitz XP only)	49
829900	Locking Ring Cuff	57	833778	Ball Float	55, 56, 57
830098	Diffuser	54	833779	Cap Retainer	56
830101-1	Filter Cage	55, 56, 57	833948-1	Black Cap	37
830519	Exhaust Duct	54	833948	Purple Cap	37, 47
830520-2	Lid	54	833951	Upper Motor Gasket	37
830536-1	Wire Tie	36	833952	Lower Motor Gasket	37
830565-2	Handle Motor Cover	55, 56, 57	833954	Exhaust Filter Door	37, 47
830576	Caddy, Right	57	834000	Micro Cloth Filter for Super Coach Pro 10	33, 37
830577	Caddy, Left	57	834036	Motor/Fan (120 V)	37
830609	Exhaust Foam Pad	55, 56, 57	834042	Triangular Lower Foam Pad	37, 47
830611	Wheel Cap	57	834043	Rectangular Upper Foam Pad	37, 47
830686	Handle	57	834049	Upper Pad Harness	37, 47
831024-3	Axle	56	834050	Pivoting Ball	37, 47
831024	Shaft	57	834051	5/16" - 18x1 - 3/8" Lock Screw (2 screws)	37, 47
831337-6	Premium Hose Assembly	54, 57	834053	Outer Support Retainer	37, 47
831567	Motor Assembly Complete	55, 56, 57	834072	Micro Cloth Filter for Super Coach Pro 6, GoFree Flex Pro, ProVac FS 6	33, 37, 47
831577	Swivel Hose Cuff 1 1/2"	55, 56, 57	834249	Switch Cord and Power Cord Assembly	47
831651	Duct Motor Exhaust/Cooling Fan	55, 56, 57	834250	Pigtail Assembly	47
831653-1	Lid	57	834251	Battery Cord Assembly	47
831653-3	Lid with Foam	55, 56	834333	HEPA Filter Housing w/2 HEPA Cartridges	41
831657-1	Power Cord Assembly	57	834339	Vibration Dampener	41
831659	Collector Assembly with Foam	55, 56, 57	834343	End Cap (purple)	41
831660-2	Dust Drum Assembly	57	834363	Wheel/Axle Replacement Kit	52
831668-1	Tote	57	834669	Hardware for Base Legs	46
832048	Filter Cage/Float	54	834674	Switch and Power Cord Assembly (includes: #1 - 4)	41
832123	Caster	57	834675	Switch Cord Assembly	41
832190	8" Wheel Assembly	57	834676	Power Cord Assembly	41
832397-1	Screw Hex 3/8-16 X 3 3/4"	56	834678	Charger Cord	47
832397-2	3/8" Bolt	36	834687	Bag Cover Housing Plate	51
832656-1	Plate Collector	54	834688	Transition Duct Assembly Upright	51
833367	Drum Latches	54	834690	Bag Cover Gasket Plate	51
833371	Drum with Labels	54	834691	Transition Duct Gasket	51
833417	Power Cord Assembly	55, 56	834694	Crevice Tool	32
833424-1	Drum Latch	55, 56	834695	Upholstery Tool	32
833425	Tank Inlet Adapter	55, 56	834696	Blower Gasket Housing	51
833426	Gasket Inlet Adapter	55, 56	834697	Inlet Motor Gasket	51
833429	Drain Adapter with Gasket	55	834701	Motor Mount Gasket	51
833431	Caster 3"	55	834704	Foam Motor Housing	51
833432	50' 14-Gauge Extension Cord w/Twist Lock Plug (Yellow)	35, 55, 56	834705	Motor Assembly	51
833442-1	Hose Assembly	36	834717	HEPA Filter Cover	51
833449	Cap Rubber Drum Pour Spout	56	834718	Filter Housing Separator	51
833450	Pour Spout Cable Lanyard	56	834721	Motor Intake Filter	34, 51
833451	Hose Drain Assembly 30"	56	834722	Foam Filter Housing	51
833452	Hose Clamp	56	834723	Bag Full Indicator Sensor	51
833454	Bushing, Drum Hinge	56	834724	Extension Handle Clip	51
833456	Base, Cart	56	834730-1	Filter Housing Tree Gasket	51
833459	Wheel 10"	56	834730-2	Motor Housing Tree Gasket	51
833460	Wheel Spacer	56	834730-3	Lid Rear Tree Gasket	51
833461	Axle Bracket	56	834730	Bag Housing Tree Gasket	51
833462	Caster 4" w/Bearings	56	834740-1	Power Cord w/ Strain Relief 50' 15"	50
833463	Plate Pedal Lock	56	834740	Power Cord w/ Strain Relief 40' 12"	50
833465	Handle, Cart Base	56	834743	Handle Tube Bushing	50
833492-1	Screw 10-32 X 3/4"	55, 56	834746	Aluminum Tube Handle	50
833492-2	Screw 1-32 x 1 3/8"	55	834750	Handle Tube Harness	50
833492	Screw 1-32 x 1 1/4"	55, 56	834753	Filter Housing Spring Hose	51
833493	Washer (13/64 ID) #10	55, 56	834787	Rear Wheel 15"	50
833518	Gasket Lid	55, 56	834788	Cap Button	50
833523	Squeeze Pivot Plate Assembly	36	834789	Rear Wheel Shaft 15"	50
833528	Squeeze Mounting Bracket	36	834790	Retaining Ring	50
833529	Spring	36	834791	Center Wheel	50
833530	Rod	36	834797	Main Control Board	50
833532	Squeeze Assembly	36	834804	Power Nozzle Base 15"	50
833542	Oval Hand Knob	36	834807	Brush Roller 15"	50
833587	Locking Ring Cuff	55, 56	834809	Front Base Bumper 15"	50
833600	Diffuser Assembly	55, 56, 57	834810	Side Base Bumper 15"	50
833601	Tank, 10 Gallon	55	834816	LED Strip Light Lens	50
833602	Tank, 15 Gallon (ProGuard 15 only)	56	834823	Bag Housing Rim	51
833603	Tank, 20 Gallon (ProGuard 20 only)	56	835033	Rear Wheel Shaft 12"	50
833658	Inlet Grill	49	835036	Side Base Bumper 12"	50
833659	Exhaust Grill	49	835044	Brush Roller 12"	50
833660	Blower Wheel	49	835150	Filter Housing Gasket Separator	51
833662	Thumb Screw	56	835344	Motor Harness	51
833673	Threaded Inserts - Housing	49	835345	Washer Pan Screw M4	50, 51

Part No.	Product Name	Page No(s).
835349	LED Strip Light Harness Assembly	50
835350	Brush Removal Cover 15" Assembly	50
835351	Power Nozzle Adaptor Hose	51
835352	Brush Removal Cover 12" Assembly	50
835354	Filter Cover Assembly	51
835358	Pan Screw M4 20mm	51
835675	Center Wheel Pivot Rod Assembly	50
835676	Foot Pedal 15" Assembly	50
835677	Brush Roller Clutch Assembly	50
835678	Timing Belt Assembly	50
835679	Base Wire Brace	50
835680	Front Base Plate 15" Assembly	50
835681	Rear Base Plate 15" Assembly	50
835682	Brush Release Button 15" Assembly	50
835683	Control Board Hall Effect Assembly	50
835684	Filter Housing Clamp Assembly	50
835685	15" Pulley Assembly	50
835686	Base Cover 15" Assembly	50
835687	Front Bag Housing 15"	51
835688	Lower Cord Wrap Bracket Assembly	51
835689	Filter Housing Harness Assembly	51
835690	Filter Housing Harness Enclosure Assembly	51
835691	Motor Housing Assembly	51
835692	Motor Pulley Assembly	51
835693	Rear Bag Housing Assembly	51
835694	Carry Handle w/ Tool Caddy Assembly	51
835695	Bag Housing Pivot Sleeve Assembly	51

Part No.	Product Name	Page No(s).
835696	Filter Lid Cam Lock Assembly	51
835697	Bag Cover Housing Interlock Assembly	51
835698	Hinge with Rivet Assembly	51
835699	Handle Assembly	50
835700	Cam Lock Latch Assembly	50
835701	Handle Screw Nut Assembly	50
835702	Foot Pedal 12" Assembly	50
835703	Front Base Plate 12" Assembly	50
835704	Rear Base Plate 12" Assembly	50
835705	Brush Release Button 12" Assembly	50
835706	12" Pulley Assembly	50
835707	Base Cover 12" Assembly	50
835708	Front Bag Housing 12"	51
835714	Motor Brush	51
835948	Motor Gasket	47
835949	Motor/Fan (36VDC)	47
836225-1	Switch Cord and Power Cord Assembly	37
836357	Turbo Brush	30
836479	Power Plug Assembly	37
836480	Power Cord Assembly	37
836554	Switch Box	37, 41, 47
836627	Base Assembly 12"	50
840042	Motor Support Gasket	51
840011	Harness Assembly Complete	37, 47
840112	Upper Harness Assembly	37, 47
840114	Lower Harness Assembly	37, 47

JOIN THE CONVERSATION



LET'S GET SOCIAL

*Also check out our new website
at **proteam.emerson.com**
to access product information
and so much more!*



facebook.com/ProTeamVacuums



linkedin.com/company/proteam



youtube.com/proteamvacuum

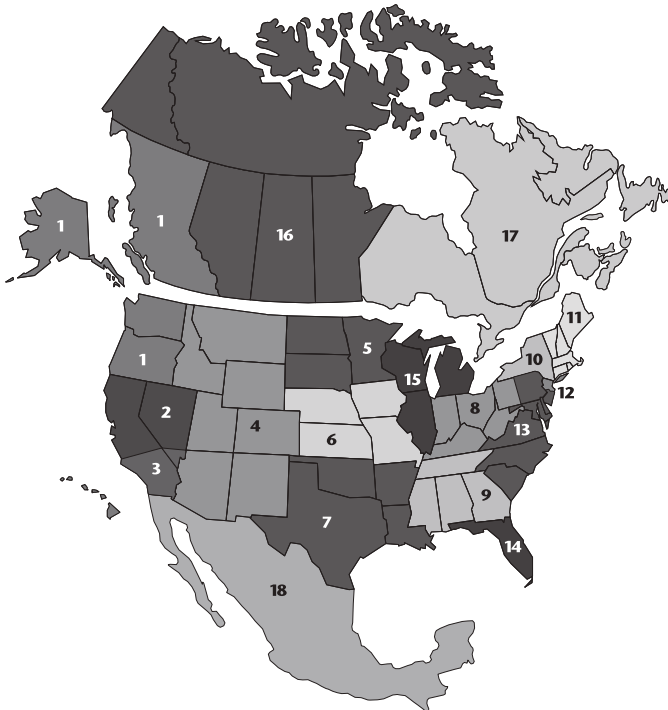


twitter.com/ProTeamVacuums

Please contact the following to find a local distributor who sells ProTeam products.

United States

- | | | | | | |
|---|--|----|--|----|---|
| 1 | Ryan, Saffel & Associates
AK, WA, OR, HI
336 Park Ave. N.
Renton, WA 98057
(425) 277-1200
(800) 869-7053
FAX (425) 271-8282
rsaf@ryansaffel.com | 6 | Mid-America Distributor Sales
NE, IA, KS, MO
533 N. Lindenwood, Suite A
Olathe, KS 66062
(913) 627-9961
FAX (913) 393-0543
triesgo@midsales.org | 11 | Market Advantage Plus
VT, NH, ME, MA, CT, RI
56 Leonard St., Unit 4
Foxboro, MA 02035
(508) 543-3605
(800) 564-6320 (New England only)
FAX (508) 543-7147
info@marketadvantageplus.com |
| 2 | Nexus
Northern CA, Northern NV
14470 Doolittle Drive
San Leandro, CA 94577
(510) 567-1000
(800) 482-6088
FAX (510) 567-1005
brenda@nexus-now.com | 7 | Demlow Marketing
OK, AR, TX, LA
4910 Darling St.
Houston, TX 77007
(713) 864-2947
(800) 334-4923
FAX (713) 864-7054
rshipley@demlow.com | 12 | Bull's Eye
Northern NJ, Metro NY, Long Island, NY
73 Cedar Avenue
Hershey, PA 17033
(717) 533-3601
(888) 381-8892
FAX (717) 533-4671
bullseye@bullseyeinc.net |
| 3 | Access Partners
Southern CA, Southern NV
1250 Mountain View Circle
Azusa, CA 91702
(626) 815-4200
FAX (626) 815-4300
dwright@accesspartners.biz | 8 | Osborne Sales Group
IN, OH, Western PA, KY, WV
4010 North Bend Road, Suite 101
Cincinnati, OH 45211
(513) 481-6200
(800) 837-4933
FAX (513) 389-3992
sales@osbornegroup.net | 13 | Buckley & Associates
Eastern PA, DE, MD, DC, VA, NC, SC,
Southern NJ
5707 Centre Square Dr.
Centreville, VA 20120
(703) 631-8138
FAX (703) 631-7841
mbuckley@buckleyrep.com |
| 4 | TRC Marketing, Inc.
MT, ID, WY, UT, CO, AZ, NM, El Paso
4665 Joliet Street
Denver, CO 80239
(303) 373-1940
FAX (303) 371-1557
info@trcmarketinginc.com | 9 | Hinton Sales, Inc.
TN, MS, AL, GA
6659-D Peachtree Industrial Blvd.
Norcross, GA 30092
(770) 326-6455
(800) 344-2638
FAX (770) 326-6189
hsi.inc@hintonsales.com | 14 | Plexus
FL, Caribbean
3650 Coral Ridge Dr., Suite 112
Coral Springs, FL 33065
(954) 255-5061
(800) 866-0618
FAX (800) 860-0618
info@plexusreps.com |
| 5 | D.C. Brown, Inc.
ND, SD, MN, Northwest WI
7104 Ohms Lane, Ste. 214
Minneapolis, MN 55439-2129
(952) 896-1890
FAX (952) 896-1970
service@dcbrowninc.com | 10 | Robert George Sales
Upstate NY
6605 Pittsford-Palmyra Road, Suite E3
Fairport, NY 14450
(585) 223-5900
(888) 655-6556
FAX (585) 223-5911
terryd@rgsales.com | 15 | Apex
MI, IL, WI
305 Canal Street
Lemont, IL 60439
(630) 257-0001
FAX (630) 257-0005
info@apex-reps.com |



Canada

- | | | | |
|----|--|----|--|
| 1 | British Columbia
Ryan, Saffel & Associates
336 Park Ave. N.
Renton, WA 98057
(425) 277-1200
(800) 869-7053
FAX (425) 271-8282
rsaf@ryansaffel.com | 16 | Western Canada (except BC)
DKB Marketing, Inc.
AB, MB, SK
117 Tuscany Springs Landing
Calgary, AB Canada T3L 3B9
(403) 861-1176
dbenoit@dkbmarketing.ca |
| 17 | Eastern Canada
McConnell-Spadafora
ON, QC, NB, NS, PEI, NL
850 Legion Road, Unit 4
Burlington, ON Canada L7S 1T5
(905) 681-9563
(866) 700-8889
FAX (905) 681-1727
mcconnellspadafora@cogeco.net | | |

Outside U.S. and Canada

- | | |
|----|--|
| 18 | Contact Customer Service
(866) 888-2168
customerservice.proteam@emerson.com |
|----|--|

FOR MORE INFORMATION ABOUT OUR COMPLETE LINE OF COMMERCIAL VACUUMS,

866.888.2168 • proteam.emerson.com • customerservice.proteam@emerson.com



8100 W Florissant Ave, Building T
St. Louis, MO 63136
proteam.emerson.com
customerservice.proteam@emerson.com
866.888.2168



FOLLOW US ONLINE

Connect with us on Facebook and YouTube for NEW product information.

#101770 Rev 9/16