

# WATERLESS



**No-Flush™ Urinals**  
PRESERVING GLOBAL WATER

# Why Waterless No-Flush™ Urinals?

For a quarter century, Waterless Co. Inc. has been the inventor, pioneer and driver in the waterless urinal fixture industry. The company's product line still offers the most simple and most cost effective non-water using urinal system on the world market.

## Waterless

is the trusted brand.

Dwindling natural resources, climate change, the need to reduce and/or conserve budget money plus behavioral changes have led to an increased awareness, desire and need to install water conserving fixtures.

- No-Flush™ urinals work completely without water or flush valves.
- Flushed fixture overflows and leaks are high priority items with maintenance departments and waterless urinals eliminate those.

*Did you know?* While it is psychologically easier to accept reduced flush volumes in flush valves, the inherent problems with flush valves remain –water use, hard encrustations in waste lines, odors, water residue on surfaces, flush valve repairs, overflows and vandalism. Urinals using less than one gallon per flush have also reached their physical (scouring of trap) and chemical limits (higher urine to water content in trap building lime stone). Waterless is the answer to all the above problems.

### Real world facility solutions!



A daily choice is not to waste resources.

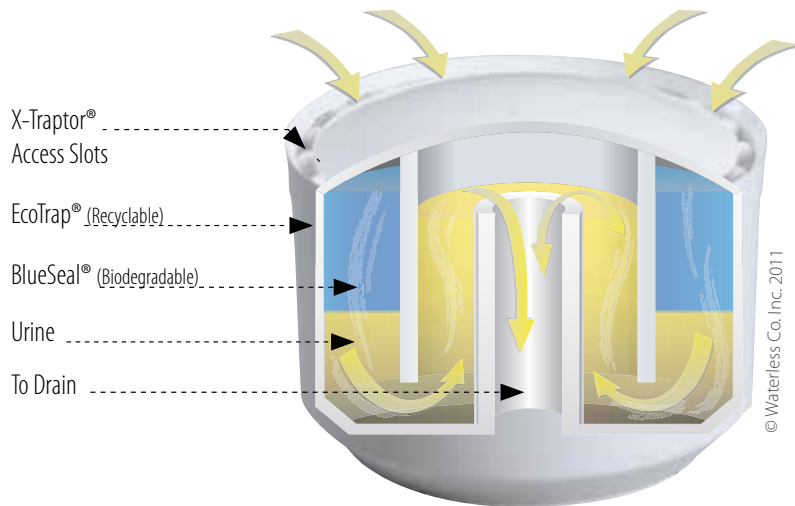
Waterless is the choice that counts.

#### ***Did you know?***

*A urinal in a men's restroom is used about three times more often than a toilet. Flushing urinals consume between 1 and 3 gallons per flush. This amounts to 15,000 to 45,000 gallons per urinal per year of fresh water use. That vast amount of potable water can easily be saved without sacrificing performance by installing time proven No-Flush™ urinals.*

# EcoTrap® Inside.

## Cross-Section of the Patented EcoTrap®



### How it works:

1. Urine flows down into the patented **EcoTrap®** drain insert.
2. In the **EcoTrap®**, the urine passes through a floating layer of **BlueSeal®** liquid, which forms a barrier that prevents sewer vapors from escaping to the rest room atmosphere.
3. Urine under the barrier layer overflows into the vertical central tube and runs down to the conventional drain line.
4. As long as there is **BlueSeal®** in the **EcoTrap®** - no odors!

### BlueSeal® Liquid

A layer of biodegradable BlueSeal® suffices to isolate urine and sewer odors from the atmosphere. A unique liquid, it does not mix, dissolve, or react chemically with urine. It does not evaporate at 100°F and pours at -60°F, which may eliminate fixture winterization costs. One quart of BlueSeal® lasts up to 15,000 uses, replacing the 15,000 to 45,000 gallons of potable water flushed away by conventional urinals. BlueSeal® can be used efficiently in Waterless and all other non-water urinals. Its pleasant fragrance also eliminates the need for deodorizers.



## The Essentials!

### Reduced Maintenance

Without mechanical parts such as flush valves, urinal maintenance is greatly reduced. Without water use, urinal cleaning takes less time since hard water deposits on surfaces no longer occur.

Custodial maintenance is similar to, or less than, conventionally flushed fixtures. Plumbing professionals love the idea not having to remove urinals from the wall for drain cleaning.

### Better Hygiene

Flushing fixtures are proven to spread bacteria laden aerosols, which then seed nearby wet and damp spots in the restroom to form new colonies. Waterless

urinals are both dry and flushless. As bacteria require water to live, dry surfaces in a No-Flush™ urinal are hostile to bacteria. Hygiene and IAQ are thereby greatly improved by installing our fixtures. This is especially important in schools and hospitals.

### Odorless

Flushed urinals have smelled due to the naturally occurring chemical reaction between water and urine. Without water this chemical reaction no longer occurs. The BlueSeal® sealing liquid floating inside the EcoTrap® forms a lasting barrier against sewer vapor escape into the restroom. Alas, no odors, as long as BlueSeal® is present in the EcoTrap®.

**BlueSeal works efficiently in all liquid based non-water using urinals.**



## The Water/Energy Connection

Water can generate energy, but it also takes energy to move water and to make it available.

## No-Flush™ Urinal Maintenance

As with any urinal fixture or plumbing product, custodial maintenance is necessary for a proper, clean appearance and optimal performance. However, Waterless No-Flush™ urinals require less upkeep than other non-water using fixtures or flushed urinals. Less work, no mess and environmentally appropriate.

## Water Stewardship

For businesses and institutions around the world, water is now as much a concern as energy and fuels. Waterless urinals are an easy way to mitigate water consumption and carbon footprints. In addition, implementing water efficient products may help a company's sustainable brand image.

With 25 years of installation history Waterless No-Flush™ fixtures have proven their long term benefits.

**THE GO-TO  
FIXTURE.**

# WATERLESS URINAL OPTIONS



**BAJA™**  
#2104



**DEL CASA™**  
#2902



**SANTA FE™**  
#2903



**ANZA™**  
#2005



**SONORA™**  
#2004 / #2004B



**KALAHARI™**  
#2003 / #2003B

Vitreous China	High Performance Composite	High Performance Composite	High Performance Composite	High Performance Composite	High Performance Composite
29 lbs.	12 lbs.	16 lbs.	18 lbs.	20 lbs.	20 lbs.
14.0" W	11.0" W	14.0" W	16.25" W	18.0" W	18.0" W
Wall Drain Outlet	Bottom Drain Outlet Also available: #2901 for Shipboard use	Bottom Drain Outlet	Wall Drain Outlet	Wall or Bottom Drain Outlets	Wall or Bottom Drain Outlets

Note: Wall drain units connect via standard urinal flange to 2" (50 mm) drain line. Bottom drain units require purchase of needed ABS parts.

# BlueSeal®

## Just add it!

It's what makes all Waterless® urinals work! After 25 years it is still the best trap sealing liquid for all liquid based non-water using urinals on the world market. Biodegradable, long lasting, great fragrance and time tested. No special cleaners to purchase! All commercially available cleaners may be used to clean the urinal without harming BlueSeal® in the trap. An economic alternative to costly cartridge/liquid packages. Freezing point is -60°F. Zero evaporation at 100°F. Saves winterization costs too! *The Original!*

## Benefits:

- Seals Odors
- Long Lasting
- Pleasant Fragrance
- Hygienic
- Improves IAQ
- Cost Effective
- The Best
- Quart, Gallon Sizes Available



Quart Item No. 1114 | Gallon Item No. 1101

# EverPrime®

## Simply Add It...and Forget It!

Based on the same principles as BlueSeal® for urinals, EverPrime® eliminates odors in facilities emanating from floor drains, HVAC traps and other non-active traps. Long lasting. Does not evaporate! Great for unused, empty or abandoned buildings. Eliminates and reduces work loads replenishing dried out traps. Biodegradable. Improves IAQ. Saves Man Hours and Call Backs. Freeze point is -20°F degrees. For 2" to 4" traps. Available in both gallon and quart sizes.

## Typical Applications:

- Educational Facilities
- Institutional Facilities
- Hospitals
- Stadium Restrooms
- Vacated Buildings & Apartments
- Restaurants, Factories,
- Cabins , Vacations / Off-Season Locations
- RV's, Boats, etc.



Quart Item No. 1514 | Gallon Item No. 1501

**Many options to eliminate odors.** Add water into the trap then simply add 3-6 oz. of EverPrime depending on trap size. Or, mix water and EverPrime in a quart bottle, shake well and release bottle contents into the trapway. EverPrime will settle on both sides of the trap.

## Works Great in:

- Floor and Shower Drains
- Condensate Drains
- Plumbing Fixtures
- Drains with Broken Trap Primers
- Kitchen Drains
- RV/Boats



Building Side Only



Building & Drain Sides



Please visit [www.waterless.com](http://www.waterless.com) to see our entire product line of facility liquids and accessories available.

# **WATERLESS**

UNLIKE ANY OTHER



**SINCE 1991**

**1050 Joshua Way, Vista, CA 92081**

**800.244.6364 | 760.727.7723**

**[www.waterless.com](http://www.waterless.com)**

A FAMILY OWNED COMPANY

# NO-FLUSH™ URINAL LIQUIDS AND ACCESSORIES

## **iPack®**

*Starter Kit to your Waterless Urinals*

Includes:

- 1x1114 BlueSeal, quart
- 1x4001 X-Traptor Tool
- 1x4002 PortionAid

Item #6009, iPack



## **BlueSeal®**

*The Original! For All Waterless Type Urinals*

- Time tested
- Biodegradable
- Long lasting / no evaporation
- No special cleaners needed!

Item #1114, quart

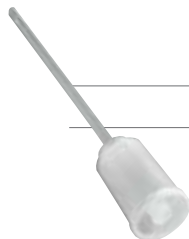
Item #1101, gallon



## **PortionAid**

*Measuring device for BlueSeal®*

- #4002, quart size
- #4003, gallon size



## **EcoTrap®**

*Drain insert*

- Recyclable
- Simple press fit
- Efficient and cost effective

Item #3001



## **X-Traptor® Tool**

*EcoTrap® removal tool*

- Stainless steel
- Easy to handle
- Large size

Item #4001



## **NviroClean™**

*The Simple Cleaner...Just Spray and Walk Away!*

- Use on flushed & non-water urinals
- Enzyme active
- Pleasant fragrance
- Leaves a nice shine

Item #1614, quart

Item #1601, gallon



And for your dried out, smelly floor drains try...



## **EverPrime®**

*Simply Add It...and Forget It!*

- for all floor drains and hvac traps
- eliminates odors in facilities
- great for empty / abandoned buildings
- no evaporation / biodegradable
- cost effective - \$2.30 a fill!
- pays for itself on the first call!

Item #1514, quart

Item #1501, gallon



## SPECIFICATION, INSTALLATION, AND MAINTENANCE MANUAL

High Performance Composite (HPC) and Vitreous China (VC) Models



KALAHARI™ MODEL #2003 (HPC)



SONORA™ MODEL #2004 (HPC)



ANZA™ MODEL #2005 (HPC)

Please observe 10 day merchandise return policy.



BORREGO™ MODEL #2103 (VC)



BAJA™ MODEL #2104 (VC)

### ■ ■ ■ ■ **IMPORTANT!** ■ ■ ■ ■

DO NOT INSTALL NO-FLUSH™ URINALS:

1. ON CLOGGED OR UNCLEARED SEWER LINES or 2. TO UNVENTED DRAIN LINES

TO MAINTAIN WARRANTY, SEWER LINES NEED TO BE PROFESSIONALLY CLEANED (SNAKED) AND WORK DOCUMENTED PRIOR TO INSTALLATION. NO WARRANTIES, EITHER ASSUMED OR IMPLIED, ARE GIVEN FOR PROPER FUNCTIONING OF NO-FLUSH™ URINALS WITHOUT DOCUMENTATION.

**CHECK ROUGH-IN HEIGHT BEFORE INSTALLATION FOR CORRECT URINAL HEIGHT.**



*In keeping with our policy of product improvement, Waterless Co. reserves the right to change product specifications at any time without notice. It is the responsibility of the specifier, installer and wholesale seller to confirm specification at time of sale or installation. No responsibility is assumed, claimed or accepted by Waterless Co. Inc.*



## NO-FLUSH™ URINAL ACCESSORIES



### iPack® #6009

- 1x1114 BlueSeal®
- 1x4001 X-Traptor® Tool
- 1x4002 Portion Aid



### BlueSeal® #1114

Sealing Liquid  
Quart Size Bottle



### NviroClean™ #1614

The Simple Cleaner...  
Just Spray and Walk Away!  
Quart Size Bottle



### Portion Aid #4002

3 oz. Measuring Device for BlueSeal



### EcoTrap® #3001

Drain Insert



### X-Traptor Tool #4001

Stainless Steel EcoTrap® Tool



### Brass Urinal Flange #5001

Included with VC urinals, #2101, 2103 and 2104. *Sold separately for new installation with HPC urinals, #2003, 2003B, 2004, 2004B, 2005, 2901, 2902 and 2903.*

## **INSTALLATION INSTRUCTIONS**

### **HPC Models #2003, #2004 and #2005**

### **VC Models #2103 and #2104**

**For additional installation instructions that pertain to each individual urinal, please see next two pages.**

#### **NOTE:**

No flushometer needed for fixture, provide suitable reinforcements for all wall supports and carriers. ADA: Requires urinal rim to be mounted 17" above finished floor. Dimensions for fixtures are nominal and may vary within the range of tolerances established by ANSI Standard A112.19.19 and ANSI Z124.9. Measurements are subject to change or cancellation. No responsibility is assumed. UPC®; others. For copper DWV drain lines ascertain and document that the installed lines are not corroded or show "channeling".  
**High Performance Composite = HPC Vitreous China = VC**

**Please leave this Installation/Care sheet with the owner/user as it contains important information.**

#### **BOX CONTENTS:**

2-EcoTrap® Inserts; 2-Wall Hangers; 4-Washers; 4-Plastic Anchors; 4-Screws; 2-All-Thread 5/16" Studs with nuts; 1-Rubber Gasket; 1- Brass Flange (VC urinal ONLY)

**Model #2104 ONLY:** 2-EcoTrap® Inserts; 1- Wall Hanger; 2-Washers; 2-Plastic Anchors; 2-Screws; 2-All-Thread 5/16" Studs with nuts; 1-Rubber Gasket; 1- Brass Flange

#### **TOOLS NEEDED:**

Screwdriver; 5/16" (7.9mm) Masonry Drill Bit and Drill; Putty Knife; Water Supply Cap (for retrofit only); Wrench; Caulk

#### **BEFORE YOU BEGIN:**

- **Do not** install *No-Flush™* urinals without prior waste line clean out. **Do not double trap** (remove any other trap in drain line).
- Please assure that the new urinal has the correct rough-in dimensions.
- When working with highly polished plastic or ceramic products, please use care in handling the unit during installation to avoid scratches or chip marks.
- Over-tightening bolts and screws may result in damage to the urinal.
- Measure drain line height for correct urinal height.

#### **TO REMOVE EXISTING URINAL:**

Turn off the water supply. Flush the urinal to drain valve and scoop or sponge out remaining water in urinal. Disconnect the flushometer valve completely and cap water supply line at tile. Remove urinal shell from wall and clean off any residues from wall and flange.

#### **BEFORE YOU INSTALL URINAL:**

**Do not** install *No-Flush™* urinal without prior waste line clean out. Existing scaling and debris in the waste line will inhibit the flow of waste from Waterless™ urinal and its proper functioning can not be guaranteed. *No-Flush™* urinals are engineered, however, to reduce waste line scaling.

#### **TO INSTALL NO-FLUSH™ URINAL:**

- Assure that flange holes are lined up horizontally. Insert 5/16" All-Thread studs into existing flange holds.
- Set supplied rubber gasket on existing flange. **Do not use wax gasket.** If using wax gasket, assure that no wax materials protrude into interior drain line openings.
- **SEE PAGE 4 FOR SPECIFIC URINAL MOUNTING INSTRUCTIONS.**
- Install wall hanger(s) with provided anchors and screws.
- Carefully align/set urinal onto wall hanger(s) and lower urinal onto flange studs through *AllFlange™* recess in urinal. If alignment is needed, remove urinal, reset hanger(s) and hang urinal again as described above.
- Use washers and nuts and hand tighten on studs to hold urinal in place. Then tighten nuts evenly. **Avoid over-tightening.**
- **Caution:** Do not rock or lift urinal after placement. Seal gasket may slip and not be water tight. Do not double ring for leak repair.
- Using a bucket of water, at least 5 gallons, pour water down urinal drain hole to test seal tightness. Check for leaks on bottom of urinal and wall.
- Caulk urinal, leaving approximately 8" (203mm) on bottom of urinal uncaulked. Attach tile label above urinal on wall (where available).

#### **INITIAL START-UP:**

Wipe urinal clean with soft moist cloth. Take enclosed plastic EcoTrap® insert. Fill it with water under faucet in sink. Set EcoTrap® insert into trapway. **Push down below rim of trapway.** Add 3 Oz. of BlueSeal® trap liquid. **Done!** (Note: Plumber's grease can be used around edges of EcoTrap® insert to ease insertion into trapway.)

#### **CLEANING AND CARE:**

**Do not use any harsh abrasive cleaners as those can harm the surface effectiveness and thereby void the product's warranty. NviroClean™ (#1614) is a very effective and efficient cleaner. Simply spray and walk away!**

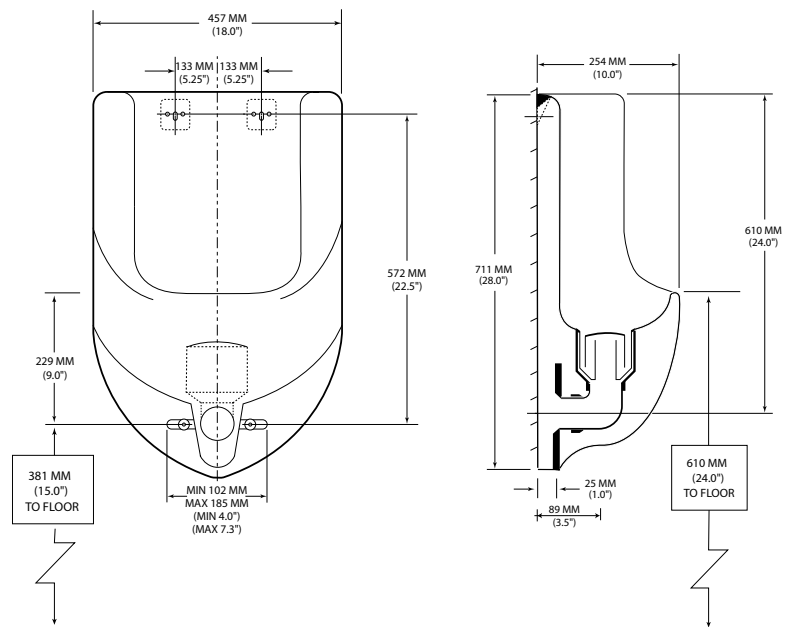
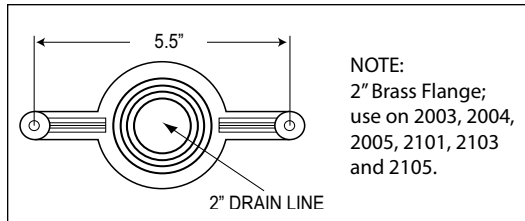
# Kalahari™

## #2003 (HPC)

### KALAHARI™ SPECIFICATIONS

Rough-in to be 15.0" off floor for 24.0" lip to floor dimensions.

Weight: 22 lbs.



# Sonora™

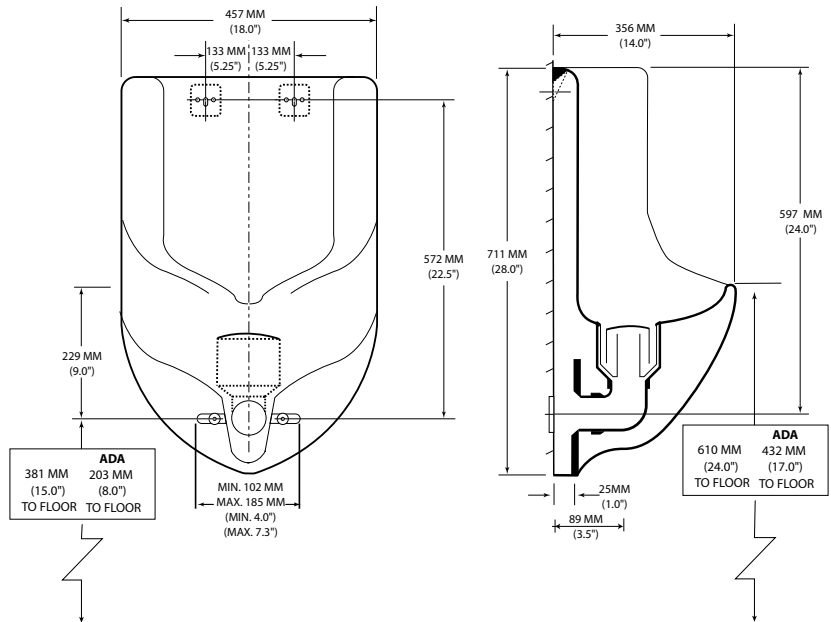
## #2004 (HPC)

### SONORA™ SPECIFICATIONS

Rough-in to be 15.0" off floor for 24.0" lip to floor dimensions.

ADA Rough-in to be 8.0" off floor for 17.0" lip to floor dimensions.

Weight: 22 lbs.



# Anza™

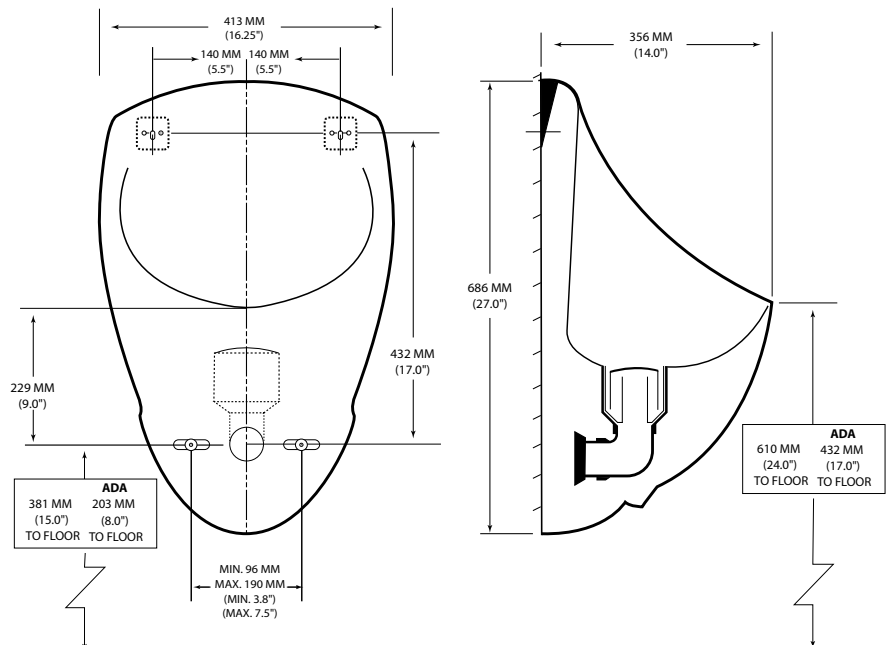
## #2005 (HPC)

### ANZA™ SPECIFICATIONS

Rough-in to be 15.0" off floor for 24.0" lip to floor dimensions.

ADA Rough-in to be 8.0" off floor for 17.0" lip to floor dimensions.

Weight: 18 lbs.



*In keeping with our policy of product improvement, Waterless Co. reserves the right to change product specifications at any time without notice. It is the responsibility of the specifier, installer and wholesale seller to confirm specification at time of sale or installation. No responsibility is assumed, claimed or accepted by Waterless Co. Inc.*

# Borrego™

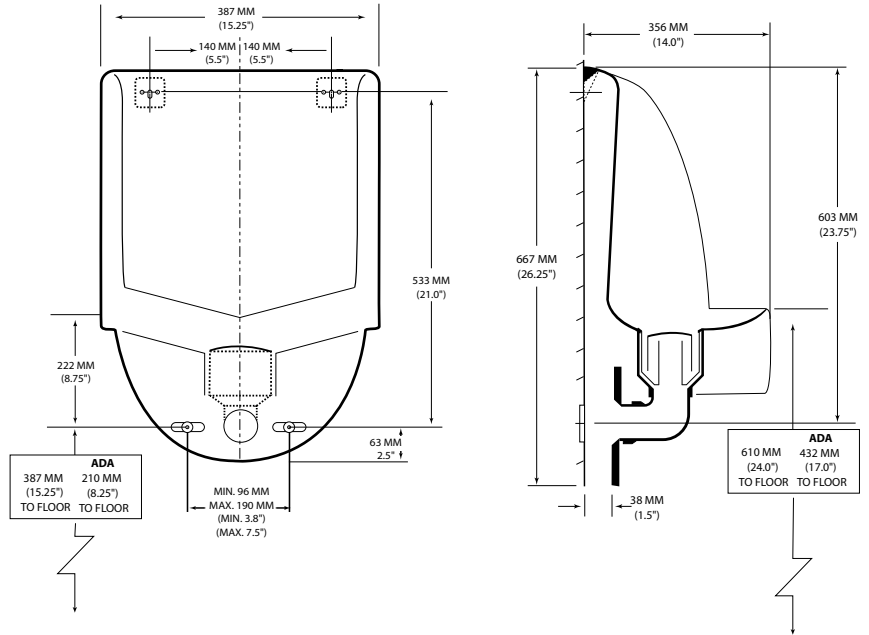
## #2103 (VC)

### BORREGO™ SPECIFICATIONS:

**Rough-in** to be 15.25" off floor for 24.0" lip to floor dimensions.

**ADA Rough-in** to be 8.25" off floor for 17.0" lip to floor dimensions.

Weight: 45 lbs.



# Baja™

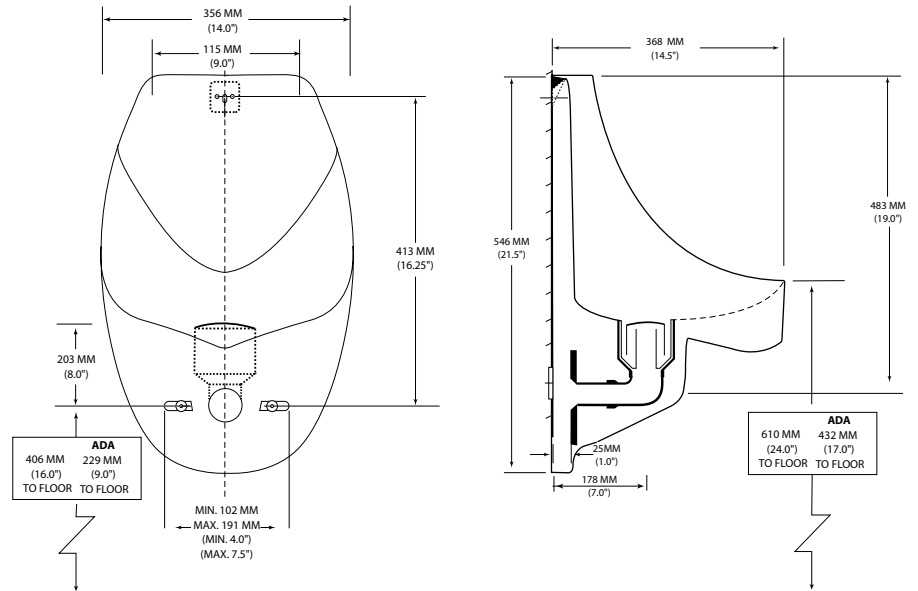
## #2104 (VC)

### BAJA™ SPECIFICATIONS:

**Rough-in** to be 16.0" off floor for 24.0" lip to floor dimensions.

**ADA rough-in** to be 9.0" off floor for 17.0" lip to floor dimensions.

Weight: 29 lbs.







## **INSTALLATION INSTRUCTIONS**

### **Bottom Drain Models #2003B and #2004B**

**For additional installation instructions that pertain to each individual urinal, please see next page.**

#### **NOTE:**

No flushometer needed for fixture, provide suitable reinforcements for all wall supports and carriers. ADA: Requires urinal rim to be mounted 17" above finished floor. Dimensions for fixtures are nominal and may vary within the range of tolerances established by ANSI Standard A112.19.2, A112.19.19 and ANSI Z124.9. Measurements are subject to change or cancellation. No responsibility is assumed. UPC®; others. For copper DWV drain lines ascertain and document that the installed lines are not corroded or show "channeling".

***Please leave this Installation/Care sheet with the owner/user as it contains important information.***

#### **BOX CONTENTS:**

2-*EcoTrap*® Inserts; 2-Wall Hangers;  
2-Washers; 4-Plastic Anchors; 4-Screws;

#### **TOOLS/HARDWARE NEEDED:**

Screwdriver; 5/16" (7.9mm) Masonry Drill Bit and Drill; Putty Knife; Water Supply Cap (for retrofit only); Caulk; 2-Lag Screws

#### **BEFORE YOU BEGIN:**

- **Do not** install *No-Flush*™ urinals without prior waste line clean out. **Do not** double trap *No-Flush*™ urinal.
- When working with highly polished plastic or ceramic products, please use care in handling the unit during installation to avoid scratches or chip marks.
- Over-tightening bolts and screws may result in damage to the urinal.
- Measure drain line height for correct urinal height.

#### **TO REMOVE EXISTING URINAL:**

Turn off the water supply. Flush the urinal to drain valve and scoop or sponge out remaining water in urinal. Disconnect the flushometer valve completely and cap water supply line at tile. Remove urinal shell from wall and clean off any residues from wall and flange.

#### **BEFORE YOU INSTALL URINAL:**

**Do not** install *No-Flush*™ urinal without prior waste line clean out. Existing scaling and debris in the waste line will inhibit the flow of waste from Waterless™ urinal and its proper functioning can not be guaranteed. *No-Flush*™ urinals are engineered, however, to reduce waste line scaling.

#### **TO INSTALL NO-FLUSH™ URINAL:**

- Waterless urinal should be attached to wall so that urinal lip is 24" off floor (for ADA urinal 17" lip to floor). Hold urinal to wall and mark slots on lower part of urinal.
- Mark spot on wall. Measure required distance for hangers to each side of marked spot horizontally. Mark spots. Drill 5/16" hole in each of the two marked horizontal spots.

Insert supplied plastic anchors in holes.

- Take supplied hangers and attach these to the wall with supplied screws.
- Where needed, make a fitting mounting plate made of materials, approved for this type of installation in your area, to fit the lower part of the urinal. Size is 6"L x 3"W x 3/4"D. Mount plate to wall in approved manner to fit behind lower slots in urinal. Assure that plate size does not interfere with urinal walls and plate sits tight and flush with wall.
- Assure that the urinal will hang flush to the wall.
- Set urinal on hangers and lower urinal over plate. Drill 5/16" holes through AllFlange™ urinal slots into plate.
- Insert screws (not supplied due to variations of installation) with washers through flange slots of urinal and tighten.
- Measure 2" pipe parts, in accordance with local trade practices, for connection from urinal to drain line.
- Trial assemble all parts to see that it all fits. Hand tighten pieces. **DO NOT DOUBLE TRAP WATERLESS URINAL.** The urinal has its own integral trap.
- Caulk around the urinal. Attach enclosed tile label above urinal on wall.

#### **INITIAL START-UP:**

Wipe urinal clean with soft moist rag. Take enclosed *EcoTrap*® plastic trap insert and set trap into trapway. **Push trap down below rim of trapway.** Fill with water under faucet in sink. Fill until full or water overflows on bottom then add 3 oz. of *BlueSeal*® liquid. **Done!**

#### **CLEANING AND CARE:**

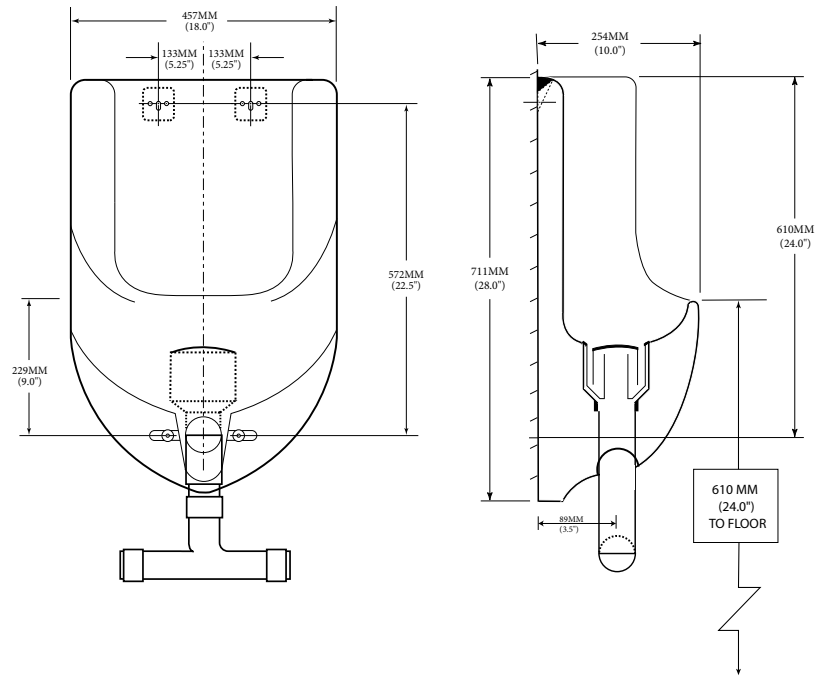
**Do not use any harsh abrasive cleaners as those can harm the surface effectiveness and thereby void the product's warranty. NviroClean™ (#1614) is a very effective and efficient cleaner. Simply spray and walk away!**

# Kalahari™

## #2003B Bottom Drain (HPC)

FOR STANDARD INSTALLATION: Mount at 24" above finished floor to lip of urinal or as required by architect. Center drain line to be determined by installer.

Weight: 22 lbs.



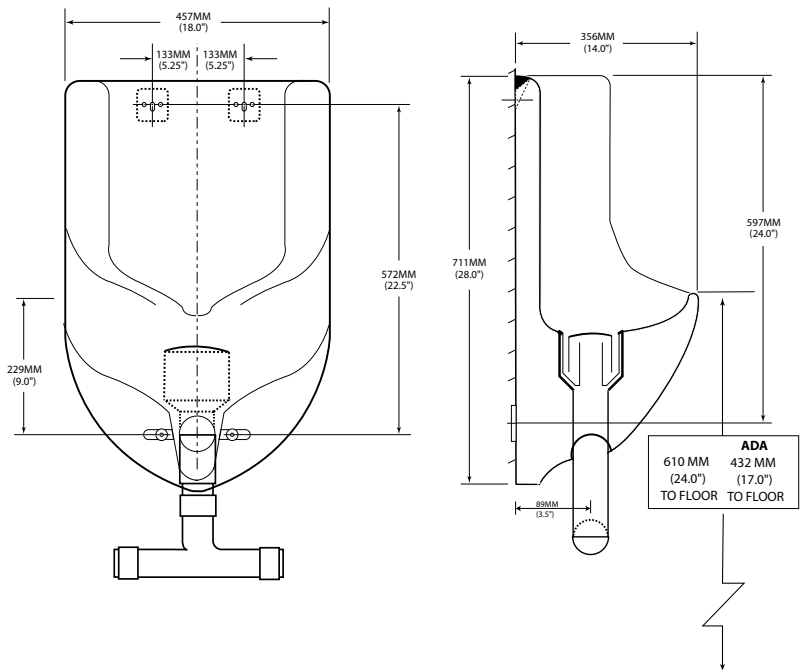
# Sonora™

## #2004B Bottom Drain (HPC)

FOR STANDARD INSTALLATION: Mount at 24" above finished floor to lip of urinal or as required by architect. Center drain line to be determined by installer.

FOR ADA REQUIREMENTS: Mount at 17" above finished floor to lip of urinal. Center drain line to be determined by installer.

Weight: 22 lbs.



*In keeping with our policy of product improvement, Waterless Co. reserves the right to change product specifications at any time without notice. It is the responsibility of the specifier, installer and wholesale seller to confirm specification at time of sale or installation. No responsibility is assumed, claimed or accepted by Waterless Co. Inc.*

## **INSTALLATION INSTRUCTIONS**

### **Bottom Drain Models #2901, #2902 and #2903**

**For additional installation instructions that pertain to each individual urinal, please see next page.**

#### **NOTE:**

No flushometer needed for fixture, provide suitable reinforcements for all wall supports and carriers. ADA: Requires urinal rim to be mounted 17" above finished floor. Dimensions for fixtures are nominal and may vary within the range of tolerances established by ANSI Standard A112.19.2, A112.19.19 and ANSI Z124.9. Measurements are subject to change or cancellation. No responsibility is assumed. For copper DWV drain lines ascertain and document that the installed lines are not corroded or show "channeling".

***Please leave this Installation/Care sheet with the owner/user as it contains important information.***

#### **BOX CONTENTS:**

2-*EcoTrap*® Inserts; 2-Wall Hangers;  
1-Tile Label; 2-Washers; 4-Plastic Anchors; 4-Screws;

#### **TOOLS/HARDWARE NEEDED:**

Screwdriver; 5/16" (7.9mm) Masonry Drill Bit and Drill; Putty Knife; Water Supply Cap (for retrofit only); Caulk; 2-Screws

#### **BEFORE YOU BEGIN:**

- **Do not** install *No-Flush*™ urinals without prior waste line clean out. **Do not** double trap *No-Flush*™ urinal.
- Please insure that the new urinal has the correct rough-in dimensions.
- When working with highly polished plastic or ceramic products, please use care in handling the unit during installation to avoid scratches or chip marks.
- Over-tightening bolts and screws may result in damage to the urinal.
- Measure drain line height for correct urinal height.

#### **TO REMOVE EXISTING URINAL:**

Turn off the water supply. Flush the urinal to drain valve and scoop or sponge out remaining water in urinal. Disconnect the flushometer valve completely and cap water supply line at tile. Remove urinal shell from wall and clean off any residues from wall and flange.

#### **BEFORE YOU INSTALL URINAL:**

**Do not** install *No-Flush*™ urinal without prior waste line clean out. Existing scaling and debris in the waste line will inhibit the flow of waste from *Waterless*™ urinal and its proper functioning can not be guaranteed. *No-Flush*™ urinals are engineered, however, to reduce waste line scaling.

#### **TO INSTALL NO-FLUSH™ URINAL:**

- *Waterless* urinal should be attached to wall so that urinal lip is 24" off floor (for ADA urinal 17" lip to floor).
- Measure required instruction sheet height per urinal above center of waste line/rough-in.

#### **#2902 DEL CASA & #2903 SANTA FE Installation Instructions**

- Mark holes for wall hangers at desired height and 5.5" (127mm) for #2902 and 4.0" (102mm) for #2903 to each side of urinal center. Assure hangers are aligned horizontally. Drill hanger holes with 5/16" (8mm) drill bit. Attach wall hangers with supplied screws and plastic anchors. Tighten screws.
- Mark holes on wall through holes in horizontal bottom piece of urinal. Remove urinal and use same drill bit to drill holes. Reattach urinal over hangers and screw in bottom screws.
- Assemble ABS drain pieces (not supplied) as needed.
- Lip to floor height to be 24" (610mm) or ADA 17" (432mm)

#### **#2901 DEL MAR Installation Instructions**

- Mark holes for wall/bulkhead bolts (not supplied) on top of urinal at desired height. Assure holes are aligned horizontally. Drill holes with 5/16" (8mm) drill bit.
- Mark holes on wall through holes in horizontal bottom piece of urinal. Remove urinal and use same drill bit to drill holes. Set urinal to wall/bulkhead and hand tighten top of urinal with bolts. Attach supplied screws and plastic anchors through bottom holes. Tighten screws.
- Assemble ABS drain pieces (not supplied) as needed.
- Lip to floor height to be 24" (610mm) or ADA 17" (432mm)

#### **FOR ALL THREE: #2901, #2902 & #2903**

- Measure 2" pipe parts, in accordance with local trade practices, for connection from urinal to drain line.
- Trial assemble all parts to see that all fits. Hand tighten pieces. **DO NOT DOUBLE TRAP WATERLESS URINAL.** The urinal has its own integral trap.
- Caulk around the urinal. Attach enclosed tile label above urinal on wall.

#### **INITIAL START-UP:**

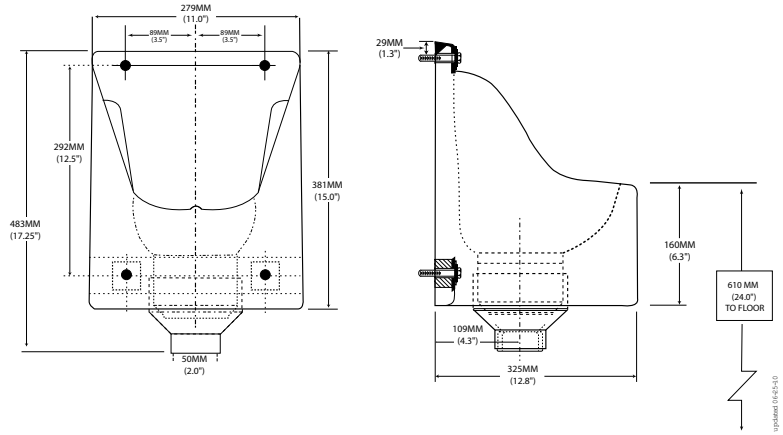
Wipe urinal clean with soft moist rag. Take enclosed *EcoTrap*® plastic trap insert and set trap into trapway. **Push trap down below rim of trapway.** Fill with water under faucet in sink. Fill until full or water overflows on bottom then add 3 oz. of *BlueSeal*® liquid. **Done!**

# Del Mar™

## #2901 Bottom Drain (HPC)

FOR STANDARD INSTALLATION: Mount at 24" above finished floor to lip of urinal or as required by architect. Center drain line to be determined by installer.

Weight: 12 lbs.

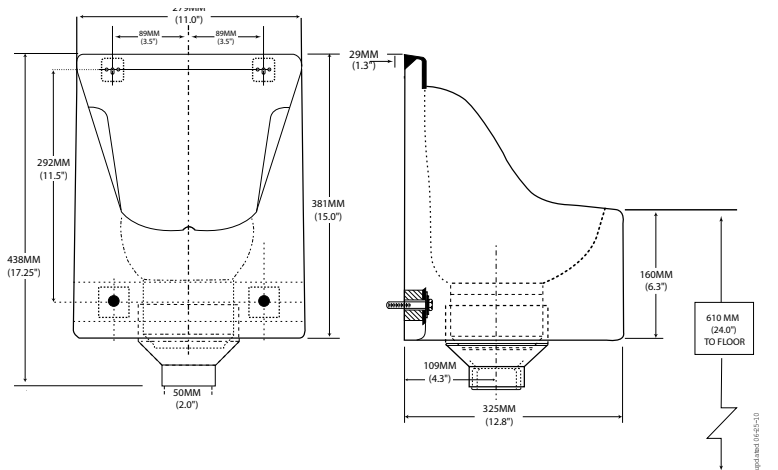


# Del Casa™

## #2902 Bottom Drain (HPC)

FOR STANDARD INSTALLATION: Mount at 24" above finished floor to lip of urinal or as required by architect. Center drain line to be determined by installer.

Weight: 12 lbs.



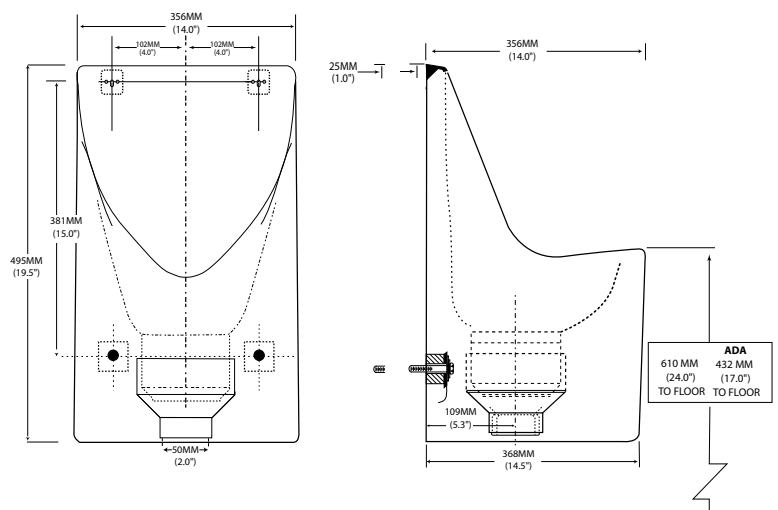
# Santa Fe™

## #2903 Bottom Drain (HPC)

FOR STANDARD INSTALLATION: Mount at 24" above finished floor to lip of urinal or as required by architect. Center drain line to be determined by installer.

FOR ADA REQUIREMENTS: Mount at 17" above finished floor to lip of urinal. Center drain line to be determined by installer.

Weight: 16 lbs.



In keeping with our policy of product improvement, Waterless Co. reserves the right to change product specifications at any time without notice. It is the responsibility of the specifier, installer and wholesale seller to confirm specification at time of sale or installation. No responsibility is assumed, claimed or accepted by Waterless Co. Inc.

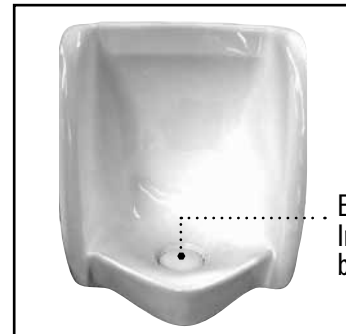
## URINAL INITIAL SET-UP



1. After urinal is installed, test for water tightness by pouring a bucket of water into the open drain hole of urinal. If no water leak is detected, caulk around the urinal, leaving approx. 8" on the bottom of the urinal uncaulked. Wipe urinal clean.



2. Take supplied *EcoTrap*® and fill with water under faucet in sink. Fill until full or water overflows on bottom.



*EcoTrap*®  
Insert  
below rim.

3. Insert the water filled *EcoTrap*® into the urinal drain opening . **IMPORTANT: then press *EcoTrap*® by hand below rim.**



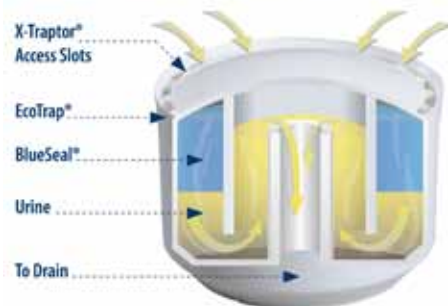
4. Insert and tighten Portion-Aid measuring device onto *BlueSeal*® quart bottle. Hold bottle upright. Squeeze bottle to fill Portion-Aid to 3oz. Then simply pour *BlueSeal*® from Portion-Aid into *EcoTrap*®.  
**Done!**

### *EcoTrap*® Principle

- Urine flows down into the patented Vertical *EcoTrap*® drain insert.
- In the *EcoTrap*® the urine passes through a floating layer of *BlueSeal*® liquid, which forms a barrier that prevents sewer vapors from escaping into the restroom atmosphere.
- Urine under the barrier layer overflows into the central tube and runs down into the conventional drain line.

### How it Works!

#### Cross-Section of the Patented Vertical *EcoTrap*®



## TROUBLESHOOTING

PROBLEM	CAUSE	REMEDY
There is an odor coming from the urinal.	1.) <i>BlueSeal</i> ® is depleted. 2.) <i>EcoTrap</i> ® is not seated below rim. 3.) Urinal is not connected properly to the drain.	If odor comes from urinal trap, add <i>BlueSeal</i> ®. Push <i>EcoTrap</i> ® down below rim. If odor comes from below urinal, remove and reset urinal to wall and drain line.  Also check floor drain if odor comes from here; if so, add 1 gal of water to floor drain and add 3 oz. of <b>EverPrime™</b> , our great floor drain sealer.
Trap does not flush/flow.	1.) The <i>EcoTrap</i> ® is full. 2.) The drain line is plugged. 3.) The system is double trapped.	Replace the <i>EcoTrap</i> ® per Maintenance Instructions. Remove the <i>EcoTrap</i> ® and snake the drainline. Remove the drain line trap so that only the <i>EcoTrap</i> ® is the trap for the system.



## MAINTENANCE INSTRUCTIONS: BLUESEAL REFILL

### DO NOT REMOVE TRAP FOR REFILL

One 3 oz. refill will last for approx. 1,500 uses.

**No need to refill daily!!** See interval chart to the right.



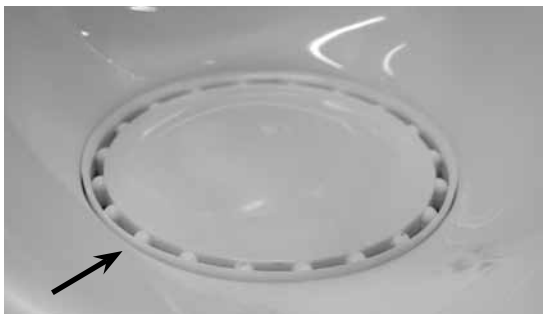
### BlueSeal® Trap Liquid Estimated Intervals

Approximate users per day per urinal	Monthly 3 oz. BlueSeal® refills
1 - 75*	Monthly
76 - 150*	Twice a Month
151 - 225*	Three Times a Month
226 - 300*	Weekly
* Based on a 5 day work week.	

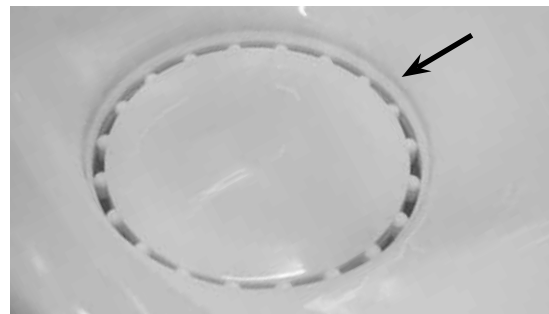
1. Screw the *PortionAid* onto a *BlueSeal*® quart bottle.
2. Squeeze bottle to measure out 3 oz. of *BlueSeal*® into the *PortionAid*.

3. Pour *BlueSeal*® directly into *EcoTrap*® towards back of urinal.

**Task Time: 20 Seconds**



**Incorrect Seating** (above rim)



**Correct Seating** (below rim)

#### Cleaning Instructions (Traditional):

1. Remove any foreign objects and other debris from base of urinal bowl.
2. Use only non-abrasive cleaners and a soft sponge/mop on urinal surfaces for cleaning.
3. Use cleaner on wet sponge, cloth, or mop. Then wipe clean all surfaces of urinal, especially the lower front.
4. Dry all surfaces with a soft cloth or soft rag.

#### Cleaning Instructions (NviroClean™):

1. Remove any foreign objects and other debris from base of urinal bowl.
2. Spray NviroClean™ liberally on urinal surface starting at the top and working your way down to the plastic trap insert. Cleaning should take place once or twice a day or as wash-room traffic dictates. **DO NOT WIPE OFF OR SCRUB.**
3. Do not use any other cleaners while using NviroClean™.

**MAINTENANCE INSTRUCTIONS**

**ECOTRAP® EXCHANGE**



**REMOVE OR EXCHANGE EcoTrap® ONLY WHEN NEEDED, i.e. slow urine flow or pooling. The table below shows approximate intervals.**

1. Have the X-Traptor® tool, new EcoTrap®, a plastic bag, and a deodorizer ready and on hand.
2. Insert X-Traptor® into trap slots and engage on knobs.
3. While slowly pulling up, wiggle tool side to side to loosen EcoTrap®. **DO NOT PULL STRAIGHT UP!** Once the EcoTrap® is removed, spray some deodorizer into the drain.
4. With EcoTrap® still on X-Traptor®, pour liquid contents into the open drain hole of urinal.
5. Deposit used EcoTrap® in plastic bag. Disengage and remove X-Traptor®.
6. Seal the plastic bag and discard in locally appropriate manner.
7. Loosen any sediment accumulation in drain hole with any long object.
8. Pour a full bucket, approx. 5 gallons, of preferably hot water into drain hole of urinal to flush sediments from waste line before inserting new EcoTrap®.
9. Take new EcoTrap® and fill with water under faucet in sink. Then set EcoTrap® insert into trapway. **Push EcoTrap® down, below rim of trapway.**
10. **Add 3 oz. of BlueSeal®. Done!**

**TASK TIME: 3-4 Minutes**

**EcoTrap® Replacement Estimated Intervals**

Approximate users per day per urinal	EcoTrap® Exchange
1 - 30*	Once a Year
31 - 60*	Twice a Year
61 - 90*	Three Times a Year
91 - 120*	Four Times a Year
* Based on 7,000 uses per urinal and 240 days usage.	



# WATERLESS.com

Waterless Co. Inc. • 1050 Joshua Way, Vista CA 92081  
Toll Free: (800) 244-6364 • Tel: (760) 727-7723 Fax: (760) 727-7775  
sales@waterless.com • www.waterless.com



## **MANUFACTURER'S LIMITED THREE YEAR WARRANTY**

Subject to the conditions and discussions set forth herein, Waterless Co. Inc. warrants its No-Flush™ urinals against defects in material or workmanship for a period of three (3) years from date of purchase. Waterless Co. Inc.'s sole obligation under this warranty shall be to repair or replace any part of the product which proves, upon our inspections, to be defective in materials and/or workmanship.

## **WARRANTY SPECIFIC CONDITIONS:**

**Failure to comply with any of the following conditions shall void this warranty in its entirety.**

1. The attached Warranty Registration Card must be fully completed, contain all required signatures and be mailed by the user/purchaser to Waterless Co. Inc. **within 30 days of the date of purchase.**
2. The urinal must be properly installed and operational instructions must be followed as outlined in the enclosed instructions of each urinal shipment, including the use of only authorized liquids and trap inserts, specifically BlueSeal® and EcoTrap®. Use of any other liquids or trap inserts specifically voids this warranty. Reinstatement fee may apply.
3. Repairs or replacements to the urinals or its component parts must be performed only by authorized representatives of Waterless Co. Inc., or its authorized service technicians.

## **WARRANTY EXCLUSIONS:**

This warranty does not cover damage resulting from transit, accidents, acts of God, misuse, unauthorized repairs, negligence, modifications, tampering, disconnection, improper adjustments, improper care or maintenance, improper installation, and out-of-warranty service.

Any implied warranty of merchantability or fitness for a particular purpose applicable to this product is limited to the duration of this written warranty.

Waterless Co. Inc. shall not be liable for incidental or consequential damages resulting from breach of this written warranty or any implied warranty.

The performance of repairs or needed adjustments shall be the exclusive remedy to the user/purchaser under this written warranty or any implied warranty.

This warranty gives you specific rights. You may have additional rights which vary from state to state. No person shall be authorized to change, add to, or create any warranty or obligation other than set forth herein.

## **RETURN POLICY:**

ALL RETURNS MUST RECEIVE PRIOR APPROVAL BY WATERLESS CO. INC.

Upon receipt of product, note any damages or discrepancies. Please call Waterless Co. Inc. within 10 days of receipt of product to obtain a Return Merchandise Authorization (RMA) form. Complete and return RMA within 48 hours. Return product based upon RMA needs, to be received within 10 days of issuance of RMA. Any delays may cause a reduced or denial of damage or discrepancy. Unless damaged or incorrectly delivered, a re-stocking fee will apply. Return shipping to be paid by customer, unless stated otherwise by Waterless Co. Inc.

To obtain RMA authorization, please call (800) 244-6364 or (760) 727-7723.

**WARRANTY REGISTRATION CARD  
FOR WATERLESS NO-FLUSH™ URINALS**

To register a valid Warranty for No-Flush™ urinals, please complete all sections and required signatures below and **return it to Waterless Co. Inc. within 30 days of your purchase.**

Company: \_\_\_\_\_ Name: \_\_\_\_\_ Title: \_\_\_\_\_

Address: \_\_\_\_\_

City: \_\_\_\_\_ State: \_\_\_\_\_ Zip Code: \_\_\_\_\_ Tel: (\_\_\_\_) \_\_\_\_\_

Fax: (\_\_\_\_) \_\_\_\_\_ E-Mail: \_\_\_\_\_ Purchased From: \_\_\_\_\_

Model# 2003\_\_2004\_\_2005\_\_2101\_\_2103\_\_2104\_\_Other \_\_\_\_\_ Purchase Date: \_\_\_\_\_

Installed By Company: \_\_\_\_\_ Name: \_\_\_\_\_ Tel: (\_\_\_\_) \_\_\_\_\_

Waste Line Cleaned before Installation: \_\_\_Yes\_\_\_No Rough-In needed to be changed: \_\_\_Yes\_\_\_No\_\_\_

Replaces Existing Fixtures: \_\_\_Yes\_\_\_No\_\_\_ New Installation: \_\_\_Yes\_\_\_No

Type of Facility: \_\_\_\_\_ Commercial \_\_\_\_\_ Institutional \_\_\_\_\_ Military \_\_\_\_\_ Other \_\_\_\_\_

*THANK YOU for purchasing WATERLESS NO-FLUSH™ urinals.*

===== FOLD HERE AND TAPE ON OPEN END. =====

FROM: \_\_\_\_\_  
\_\_\_\_\_  
\_\_\_\_\_

**PLACE  
STAMP  
HERE**

**WATERLESS.com**  
**1050 JOSHUA WAY**  
**VISTA, CA 92081**

**1.800.244.6364**